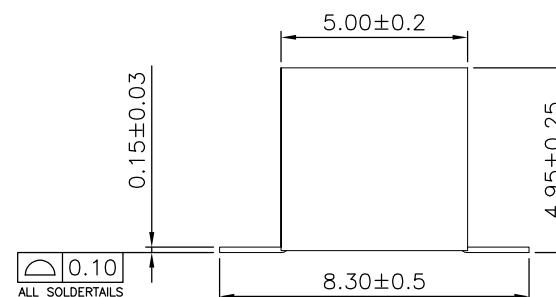
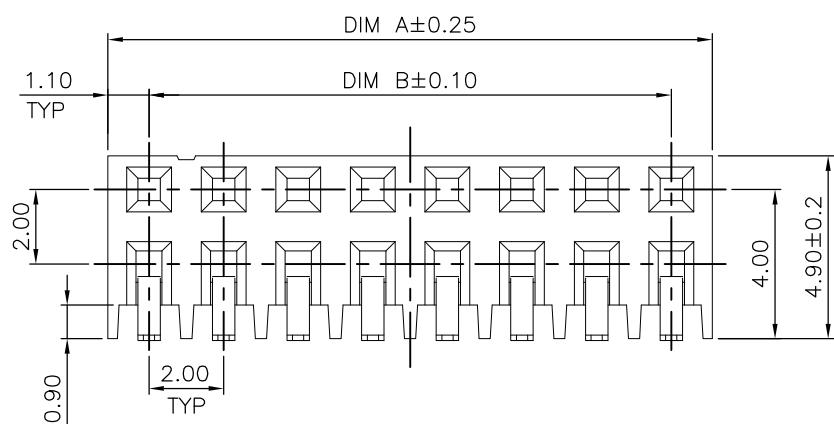
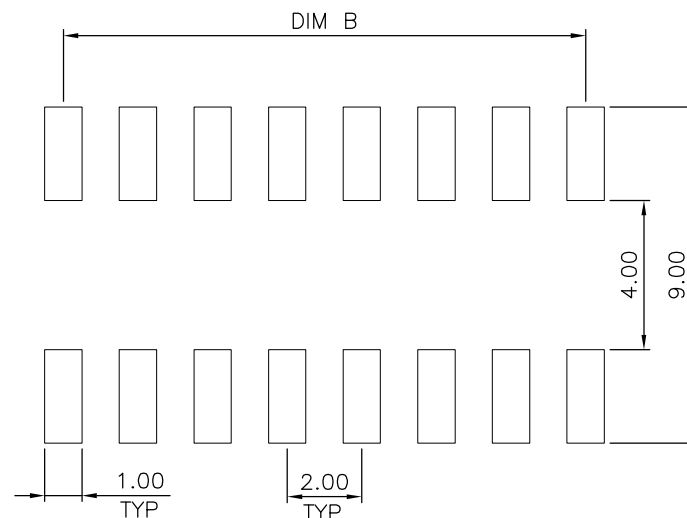
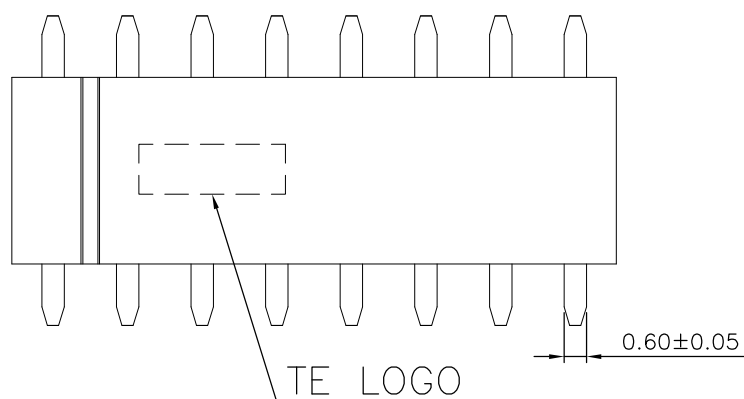


LOC	DIST	REVISIONS			
P	LTR	DESCRIPTION	DATE	DWN	APVD
IR	-	B	RELEASED AS PER ECR-09-017658	06AUG2009	SRE PCH
		B1	ECR-10-026537	22JAN11	KK HMR



48.00	50.20	50	5-1734606-0	
46.00	48.20	48	4-1734606-8	
44.00	46.20	46	4-1734606-6	
42.00	44.20	44	4-1734606-4	
40.00	42.20	42	4-1734606-2	
38.00	40.20	40	4-1734606-0	
36.00	38.20	38	3-1734606-8	
34.00	36.20	36	3-1734606-6	
32.00	34.20	34	3-1734606-4	
30.00	32.20	32	3-1734606-2	
28.00	30.20	30	3-1734606-0	
26.00	28.20	28	2-1734606-8	
24.00	26.20	26	2-1734606-6	
22.00	24.20	24	2-1734606-4	
20.00	22.20	22	2-1734606-2	
OBSOLETE	18.00	20.20	20	2-1734606-0
	16.00	18.20	18	1-1734606-8
	14.00	16.20	16	1-1734606-6
OBSOLETE	12.00	14.20	14	1-1734606-4
	10.00	12.20	12	1-1734606-2
	8.00	10.20	10	1-1734606-0
	6.00	8.20	8	0-1734606-8
	4.00	6.20	6	0-1734606-6
	2.00	4.20	4	0-1734606-4
DIM B	DIM A	NO. OF POS.	PART NUMBER	
DIMENSIONS				

NOTE :

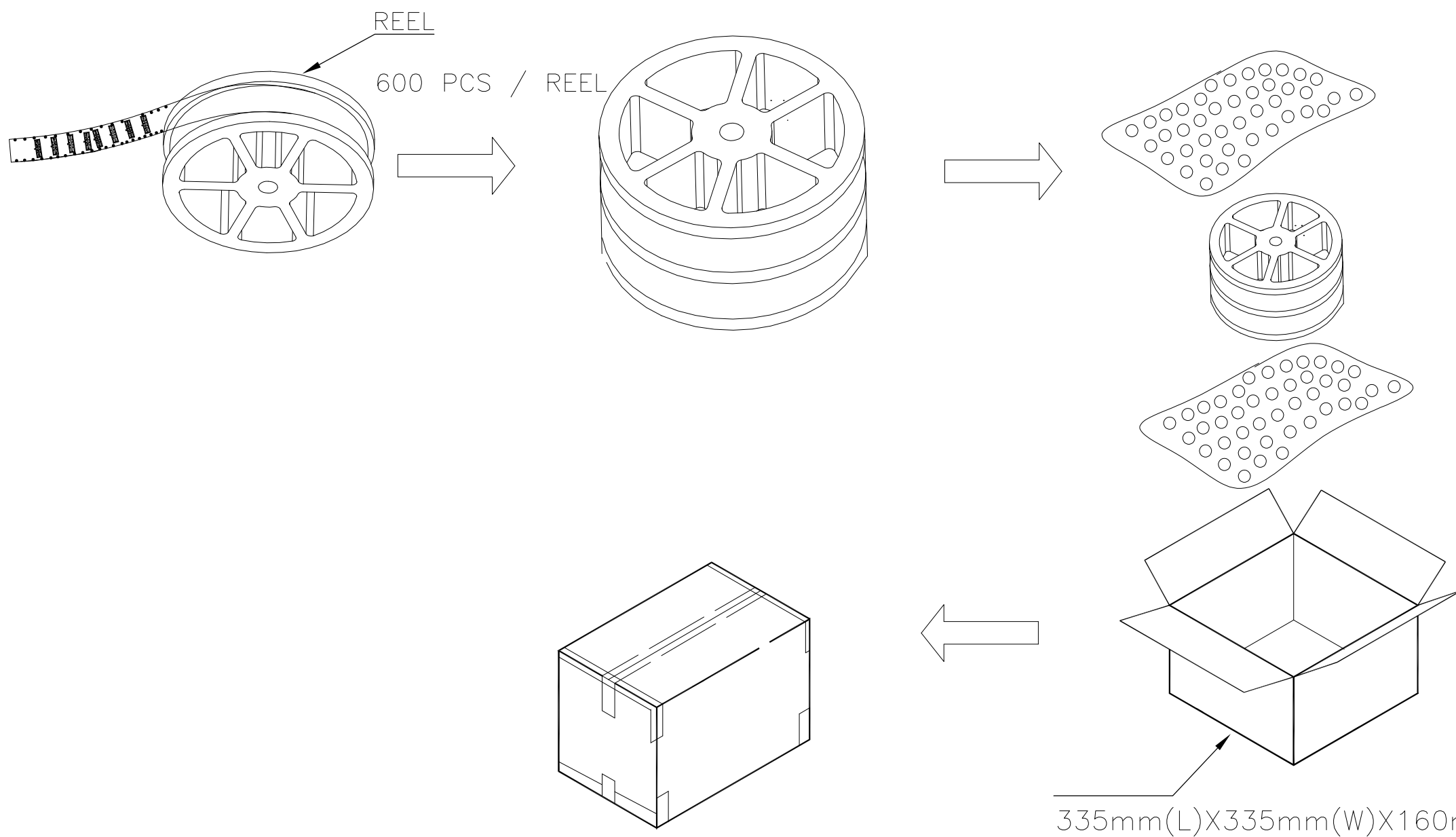
1 MATERIAL :  
HOUSING: THERMOPLASTIC, UL 94V-0, BLACK COLOR.  
CONTACT: PHOSPHOR BRONZE, THICKNESS=0.2mm.

2 FINISH:  
10μ" MIN. GOLD PLATED ON CONTACT AREA,  
100μ" MIN. BRIGHT TIN PLATED ON SOLDER TAIL,  
50μ" MIN. NICKEL UNDERPLATED OVER ALL.

- REFLOW SOLDER CAPABLE TO 245°C PER TE 109-202, CONDITION A4.
- QUALIFICATION TEST REPORT: 501-57197.

THIS DRAWING IS A CONTROLLED DOCUMENT.		DWN 17-APR-2006 O.HU	TE Connectivity	
DIMENSIONS: mm		CHK 17-APR-2006 S.HOU		
TOLERANCES UNLESS OTHERWISE SPECIFIED:		APVD 17-APR-2006 W.J.KE	NAME	
0 PLC ± - 1 PLC ± 0.30 2 PLC ± 0.20 3 PLC ± 0.10 4 PLC ± - ANGLES ± 0°		PRODUCT SPEC 108-57197	AMPMODU,2.0mm PITCH RIGHT ANGLE,SMT TYPE	
MATERIAL 1		FINISH 2	APPLICATION SPEC	RESTRICTED TO
		WEIGHT -	SIZE A3	CAGE CODE 00779
		CUSTOMER DRAWING	DRAWING NO C-1734606	SCALE -
			SHEET 1 OF 2	REV B1

LOC	DIST	REVISIONS					
IR	-	P	LTR	DESCRIPTION	DATE	DWN	APVD
				SEE SHEET 1.			



2	50	5-1734606-0	
2	48	4-1734606-8	
2	46	4-1734606-6	
2	44	4-1734606-4	
2	42	4-1734606-2	
2	40	4-1734606-0	
2	38	3-1734606-8	
2	36	3-1734606-6	
3	34	3-1734606-4	
3	32	3-1734606-2	
3	30	3-1734606-0	
3	28	2-1734606-8	
3	26	2-1734606-6	
3	24	2-1734606-4	
4	22	2-1734606-2	
OBSOLETE	4	20	2-1734606-0
4	18	1-1734606-8	
4	16	1-1734606-6	
OBSOLETE	4	14	1-1734606-4
4	12	1-1734606-2	
5	10	1-1734606-0	
5	8	0-1734606-8	
5	6	0-1734606-6	
5	4	0-1734606-6	
B	QTY	NO. OF POS.	PART NUMBER

THIS DRAWING IS A CONTROLLED DOCUMENT.		DWN	17-APR-2006	TE Connectivity	
DIMENSIONS: mm		CHK	17-APR-2006		
TOLERANCES UNLESS OTHERWISE SPECIFIED:		APVD	17-APR-2006		
0 PLC ± - 1 PLC ± 0.30 2 PLC ± 0.20 3 PLC ± 0.10 4 PLC ± - ANGLES ± 0°		PRODUCT SPEC	108-57197		
MATERIAL	SEE SHEET 1	FINISH	SEE SHEET 1	NAME	AMPMODU,2.0mm PITCH RIGHT ANGLE,SMT TYPE
		WEIGHT	-	SIZE	A3
		CUSTOMER DRAWING		CAGE CODE	-
				DRAWING NO	C-1734606
				RESTRICTED TO	-
		SCALE	-	SHEET	2 OF 2
				REV	B1