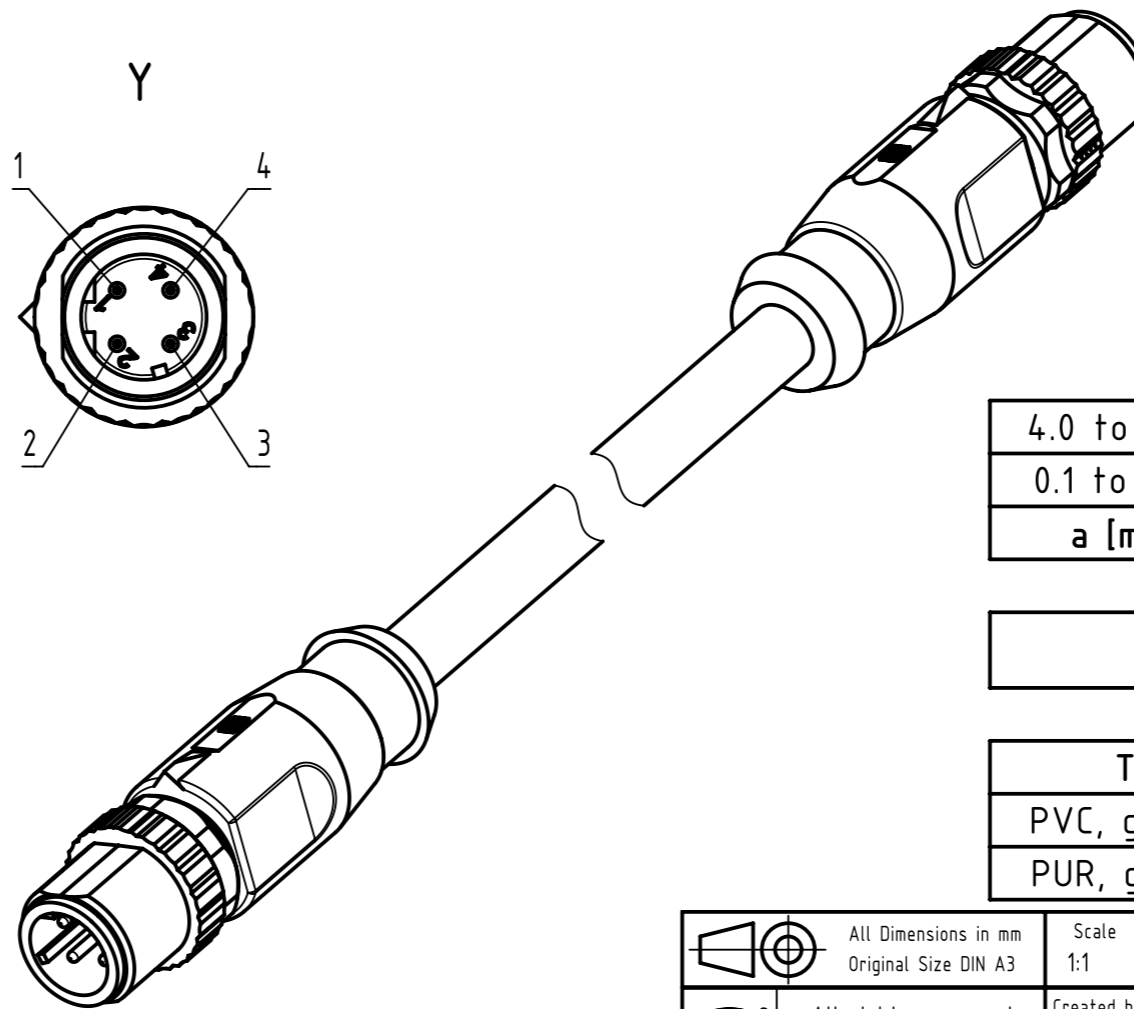
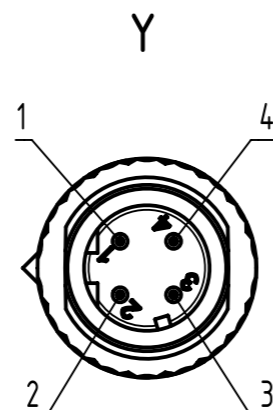
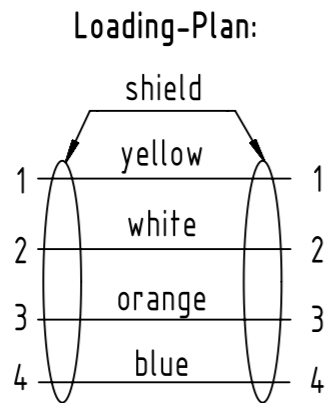
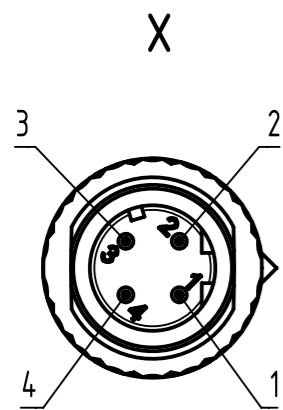


M12 D-coded 4 poles, straight overmolded male connector



length in "1m" step	100	XXX=000
	99	XXX=990
	.	.
	.	.
length in "0.1m" step	12	XXX=120
	11	XXX=110
	10	XXX=100
	9.9	XXX=099
	9.8	XXX=098
	.	.
	.	.
	.	.
0.4	XXX=004	
0.3	XXX=003	
0.2	XXX=002	
0.1	XXX=001	
Step	a [m]	XXX

4.0 to 100	+1%
0.1 to 3.9	+0.04
a [m]	Tolerance

Part no.	213492924XXXXX
----------	----------------

Type of cable	XX
PVC, green, 4xAWG22/7	XX=05
PUR, green, 2x2xAWG22	XX=77

- Protection level: IP67
 - Temperature range: -30°C ... +70°C

All Dimensions in mm Original Size DIN A3		Scale 1:1	Free size tol.	Ref.
All rights reserved Department EC PD - RO		Created by TOMUTA	Inspected by AVRAM	Standardisation HOFFMANN
HARTING Electronics GmbH D-32339 Espelkamp		Title M12 D-coded Cable Assembly	Date 2014-08-21	State Final Release
		Type TB	Number 213492924XXXXX	Doc-Key / ECM-Nr. 100588528/UGD/000/A 50000079044
				Rev. A Page 1/1