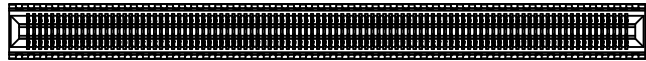
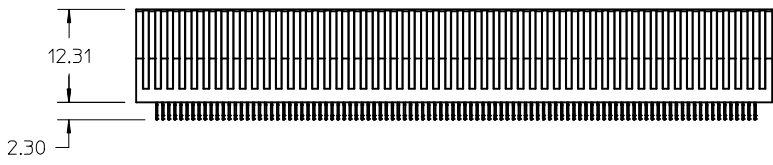


PART NUMBER	VERSION	BAY 1/BAY 2	TOTAL CIRCUITS	DIM A	SALES DRAWING (SEE NOTE 8)
170673-2278	2 BAY	146/132	278	118.63	SD-170673-2278
170673-1200	1 BAY	200	200	84.20	SD-170673-1200
170673-2108	2 BAY	86/22	108	50.63	SD-170673-2108
170673-2080	2 BAY	52/28	80	39.43	SD-170673-2080
170673-1046	1 BAY	46	46	22.60	SD-170673-1046

2 BAY EDGELINE

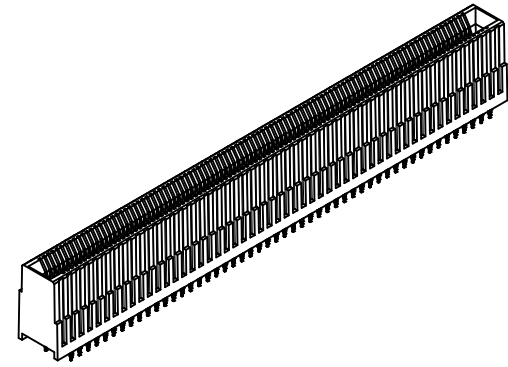
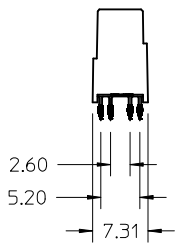


1 BAY EDGELINE



LAST CIRCUIT

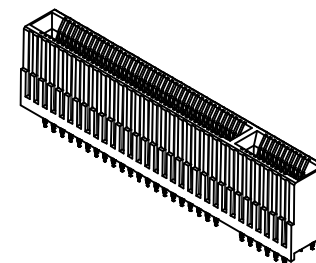
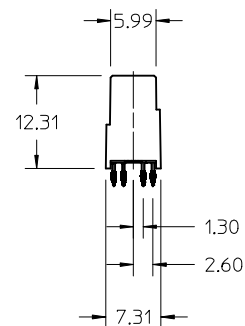
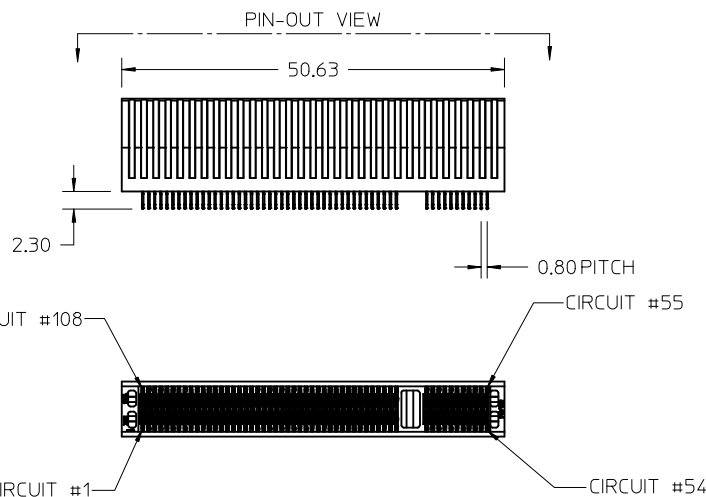
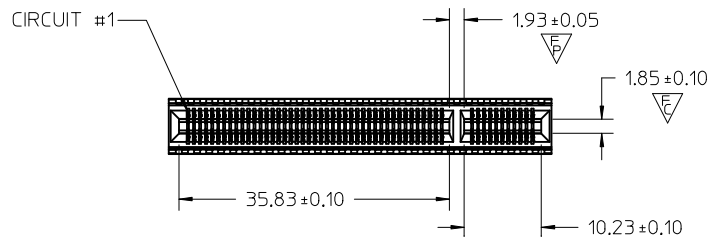
FIRST CIRCUIT



NOTES:

- MATERIAL:
HOUSING - GLASS FILLED THERMOPLASTIC, 94-V0, BLACK
TERMINALS - COPPER ALLOY
- FINISH:
CONTACT AREA: HARD GOLD -0.76μm MIN OVER 3.80μ NICKEL
COMPLIANT AREA: TIN - 0.76/1.52μm OVER NICKEL
- REFER TO PS-75594-999 PRODUCT SPECIFICATION FOR ALL ELECTRICAL, MECHANICAL AND ENVIROMENTAL SPECIFICATIONS.
- PROCESSING: PRESSFIT TO PC BOARD.
- MATING PC BOARD THICKNESS = 1.60±0.16MM OVER CONTACT PADS.
- PRODUCT IS ELV AND RoHS COMPLIANT. LEVEL OF COMPLIANCE: 6/6
ALL BANNED SUBSTANCES ARE REMOVED:
Pb (LEAD)
HEXAVALENT CHROMIUM (CrVI)
CADMIUM
MERCURY
POLYBRMINATED BIPHENYL (PBB)
POLYBROMINATED DIPHENYL ETHER (PBDE)
- THIS PART CONFORMS TO CLASS B REQUIREMENTS OF COSMETIC SPEC PS-45499-002
- FOR EDGECARD AND MOUNTING PCB LAYOUT DETAIL SEE CORRESPONDING SALES DRAWING.

RELEASED REV A EC NO: UCP2011-2702 DRWNG: DROSCA 2011/03/07 CHKD: JCOMERCI 2011/03/28 APPR: JCOMERCI 2011/03/28	DESCRIPTION REV 0 0 0	QUALITY SYMBOLS	GENERAL TOLERANCES (UNLESS SPECIFIED)	DIMENSION STYLE MM ONLY	SCALE 2:1	DESIGN UNITS METRIC	THIRD ANGLE PROJECTION
			mm INCH	DRAWN BY DATE DROSCA 2010/06/22	TITLE EDGELINE 12.5GB 0.062*PCB 0.8MM PITCH		
			4 PLACES ± --- ± --- 3 PLACES ± --- ± --- 2 PLACES ± --- ± --- 1 PLACE ± --- ± ---	CHECKED BY DATE JCOMERCI 2010/06/22			
			ANGULAR ±1/2°	APPROVED BY DATE JCOMERCI 2010/10/25	molex MOLEX INCORPORATED	MATERIAL NO. SEE TABLE	DOCUMENT NO. SD-170673-0001
DRAFT WHERE APPLICABLE MUST REMAIN WITHIN DIMENSIONS			THIS DRAWING CONTAINS INFORMATION THAT IS PROPRIETARY TO MOLEX INCORPORATED AND SHOULD NOT BE USED WITHOUT WRITTEN PERMISSION				

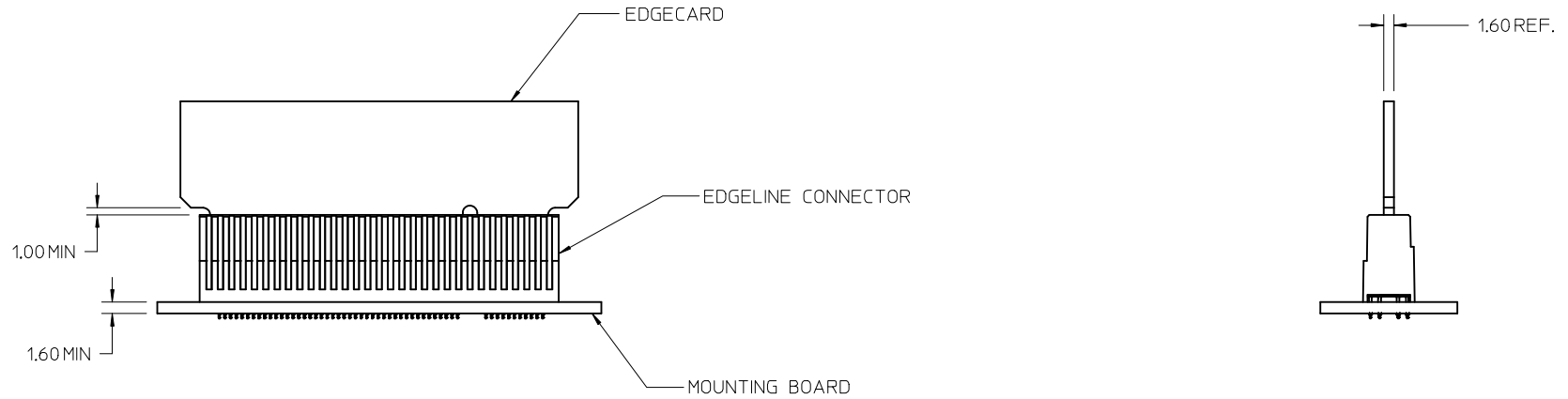


NOTES:

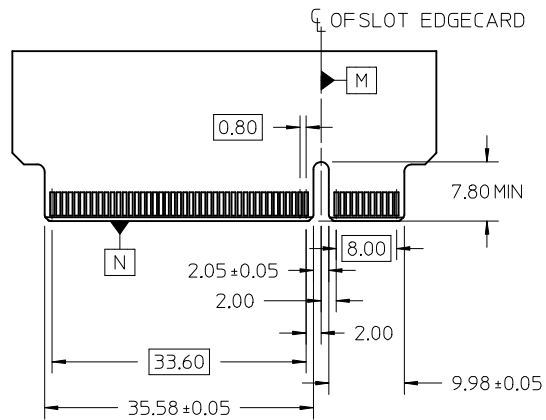
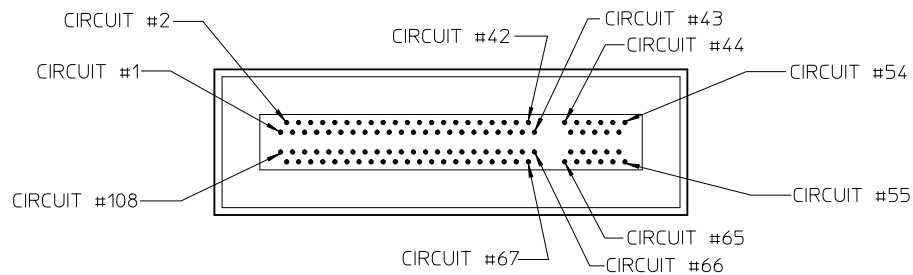
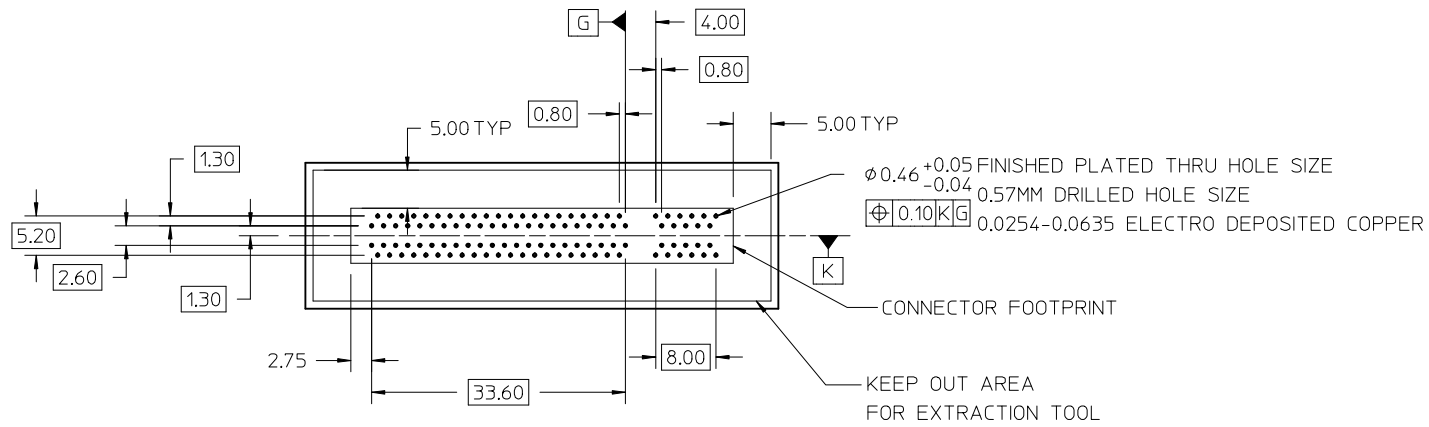
- MATERIAL:
HOUSING - GLASS FILLED THERMOPLASTIC, 94-V0, BLACK
TERMINALS - COPPER ALLOY
- FINISH:
CONTACT AREA: HARD GOLD -0.76µm MIN OVER 3.80µm NICKEL
COMPLIANT AREA: TIN - 0.76/1.52µm OVER NICKEL
- REFER TO PS-75594-999 PRODUCT SPECIFICATION FOR ALL ELECTRICAL, MECHANICAL AND ENVIRONMENTAL SPECIFICATIONS.
- REFER TO PK-76693-900 FOR ALL PACKAGING SPECIFICATIONS.
- PROCESSING: PRESSFIT TO PC BOARD.
- MATING PC BOARD THICKNESS = 1.60±0.16MM OVER CONTACT PADS.
- PRODUCT IS ELV AND RoHS COMPLIANT. LEVEL OF COMPLIANCE: 6/6
ALL BANNED SUBSTANCES ARE REMOVED:
Pb (LEAD)
HEXAVALENT CHROMIUM (CrVI)
CADMIUM
MERCURY
POLYBROMINATED BIPHENYL (PBB)
POLYBROMINATED DIPHENYL ETHER (PBDE)
- THIS PART CONFORMS TO CLASS B REQUIREMENTS OF COSMETIC SPEC PS-45499-002

CORRECTED CIRCUIT #1 PG3 EC NO: UCP2013-0278 DRAWN: DROSCA 2012/12/05 CHKD: APPR: JCOMERC I 2012/12/20	QUALITY SYMBOLS ▽ = 0 ▽ = 1 ▽ = 1	GENERAL TOLERANCES (UNLESS SPECIFIED)		DIMENSION STYLE MM ONLY		SCALE 2:1	DESIGN UNITS METRIC	THIRD ANGLE PROJECTION	
		mm	INCH	DRAWN BY DROSCA	DATE 2011/03/17	TITLE EDGELINE 12.5GB 108CKTS 0.062*PCB 0.8MM PITCH	MOLEX INCORPORATED DOCUMENT NO. SD-170673-2108 SHEET NO. 1 OF 4		
4 PLACES ± --- ± ---		3 PLACES ± --- ± ---		CHECKED BY JCOMERC I	DATE 2011/03/28	THIS DRAWING CONTAINS INFORMATION THAT IS PROPRIETARY TO MOLEX INCORPORATED AND SHOULD NOT BE USED WITHOUT WRITTEN PERMISSION			
2 PLACES ± 0.15 ± ---		1 PLACE ± 0.25 ± ---		APPROVED BY JCOMERC I	DATE 2011/03/28				
ANGULAR ± 1/2°		DRAFT WHERE APPLICABLE MUST REMAIN WITHIN DIMENSIONS		MATERIAL NO. 1706732108	SIZE C				

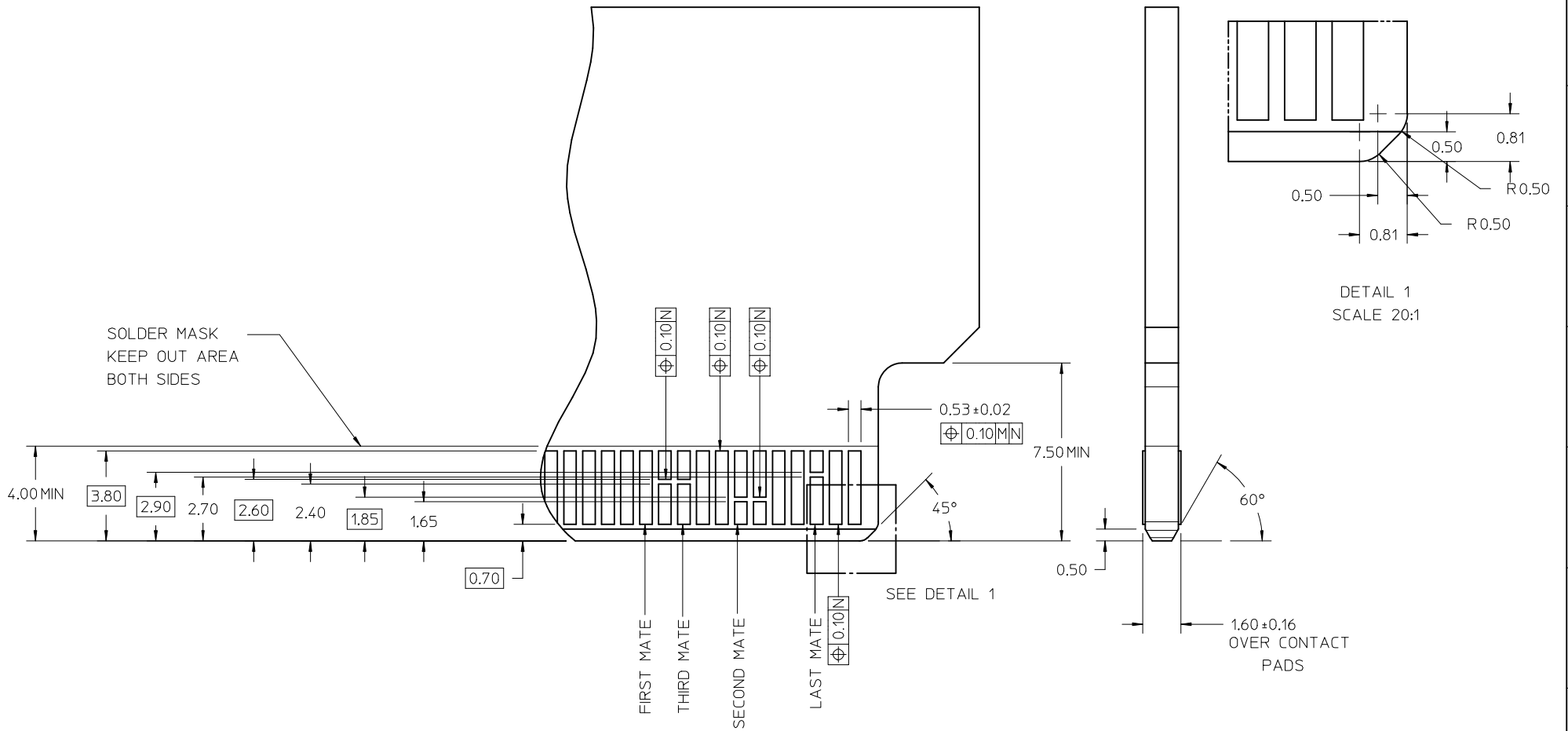
EDGELINE CONNECTOR BOARD MOUNTING



SEE SHEET 1 EC NO: UCP2013-0278 DRW: DROSCA 2012/12/05 CHKD: APPR: JCOMERC I 2012/12/20	QUALITY SYMBOLS	GENERAL TOLERANCES (UNLESS SPECIFIED) <table border="1" style="width: 100%; border-collapse: collapse;"> <tr> <td></td> <td style="text-align: center;">mm</td> <td style="text-align: center;">INCH</td> </tr> <tr> <td>4 PLACES</td> <td style="text-align: center;">± .005</td> <td style="text-align: center;">± .0005</td> </tr> <tr> <td>3 PLACES</td> <td style="text-align: center;">± .005</td> <td style="text-align: center;">± .0005</td> </tr> <tr> <td>2 PLACES</td> <td style="text-align: center;">± 0.15</td> <td style="text-align: center;">± .005</td> </tr> <tr> <td>1 PLACE</td> <td style="text-align: center;">± 0.25</td> <td style="text-align: center;">± .010</td> </tr> <tr> <td colspan="3" style="text-align: center;">ANGULAR ± 1/2°</td> </tr> </table>		mm	INCH	4 PLACES	± .005	± .0005	3 PLACES	± .005	± .0005	2 PLACES	± 0.15	± .005	1 PLACE	± 0.25	± .010	ANGULAR ± 1/2°			DIMENSION STYLE MM ONLY	SCALE 2:1	DESIGN UNITS METRIC	THIRD ANGLE PROJECTION
			mm	INCH																				
	4 PLACES		± .005	± .0005																				
	3 PLACES		± .005	± .0005																				
2 PLACES	± 0.15	± .005																						
1 PLACE	± 0.25	± .010																						
ANGULAR ± 1/2°																								
▽=0	▽=0	DRAWN BY DROSCA	DATE 2011/03/17	TITLE EDGELINE 12.5GB 108CKTS 0.062"PCB 0.8MM PITCH																				
▽=0	▽=0	CHECKED BY JCOMERC I	DATE 2011/03/28	APPROVED BY JCOMERC I																				
▽=0	▽=0	APPROVED BY JCOMERC I	DATE 2011/03/28	MATERIAL NO. SEE SHEET 1																				
▽=0	▽=0	DRAFT WHERE APPLICABLE MUST REMAIN WITHIN DIMENSIONS		DOCUMENT NO. SD-170673-2108			SHEET NO. 2 OF 4																	
▽=0	▽=0	THIS DRAWING CONTAINS INFORMATION THAT IS PROPRIETARY TO MOLEX INCORPORATED AND SHOULD NOT BE USED WITHOUT WRITTEN PERMISSION																						



SEE SHEET 1 EC NO: UCP2013-0278 DRW: DROSCA 2012/12/05 CHKD: JCOMERCI APPR: JCOMERCI 2012/12/20	QUALITY SYMBOLS	GENERAL TOLERANCES (UNLESS SPECIFIED)		DIMENSION STYLE	SCALE	DESIGN UNITS	THIRD ANGLE PROJECTION
	$\nabla = 0$	mm	INCH	MM ONLY	2:1	METRIC	
	$\nabla = 0$	4 PLACES ± --- ± ---		DRAWN BY	DATE	TITLE	
	$\nabla = 0$	3 PLACES ± --- ± ---		DROSCA	2011/03/17	EDGELINE 12.5GB 108CKTS 0.062*PCB 0.8MM PITCH	
	2 PLACES ± 0.15 ± ---		CHECKED BY	DATE			
	1 PLACE ± 0.25 ± ---		JCOMERCI	2011/03/28			
	ANGULAR ± 1/2°		APPROVED BY	DATE			
	DRAFT WHERE APPLICABLE MUST REMAIN WITHIN DIMENSIONS		JCOMERCI	2011/03/28			
	SEE SHEET 1		MATERIAL NO.	DOCUMENT NO.	MOLEX INCORPORATED		
	SIZE C		THIS DRAWING CONTAINS INFORMATION THAT IS PROPRIETARY TO MOLEX INCORPORATED AND SHOULD NOT BE USED WITHOUT WRITTEN PERMISSION		SD-170673-2108		SHEET NO. 3 OF 4



NOTE:

THESE ARE GENERIC DETAILS THAT DESCRIBES THE CONFIGURATION OF VARIOUS PCB DESIGN ELEMENTS. THE CUSTOMER MUST DETERMINE WHERE AND WHEN TO USE EACH ELEMENT TO ACCOMODATE THEIR SPECIFIC APPLICATION.

SEE SHEET 1 EC NO: UCP2013-0278 2012/12/05 DRWNG: DROSCA CHKD: APPR: JCOMERC I 2012/12/20	QUALITY SYMBOLS ▽=0 ▽=0	GENERAL TOLERANCES (UNLESS SPECIFIED)		DIMENSION STYLE MM ONLY		SCALE 8:1	DESIGN UNITS METRIC	THIRD ANGLE PROJECTION			
		4 PLACES ± --- ± ---	mm INCH	DRAWN BY DROSCA	DATE 2011/03/17	TITLE EDGELINE 12.5GB 108CKTS 0.062"PCB 0.8MM PITCH					
		3 PLACES ± --- ± ---		CHECKED BY JCOMERC I	DATE 2011/03/28	MOLEX INCORPORATED					
		2 PLACES ± 0.15 ± --- 1 PLACE ± 0.25 ± --- ANGULAR ± 1/2°		APPROVED BY JCOMERC I	DATE 2011/03/28	MATERIAL NO. SEE SHEET 1		DOCUMENT NO. SD-170673-2108	SHEET NO. 4 OF 4		
DRAFT WHERE APPLICABLE MUST REMAIN WITHIN DIMENSIONS		SIZE C		THIS DRAWING CONTAINS INFORMATION THAT IS PROPRIETARY TO MOLEX INCORPORATED AND SHOULD NOT BE USED WITHOUT WRITTEN PERMISSION							