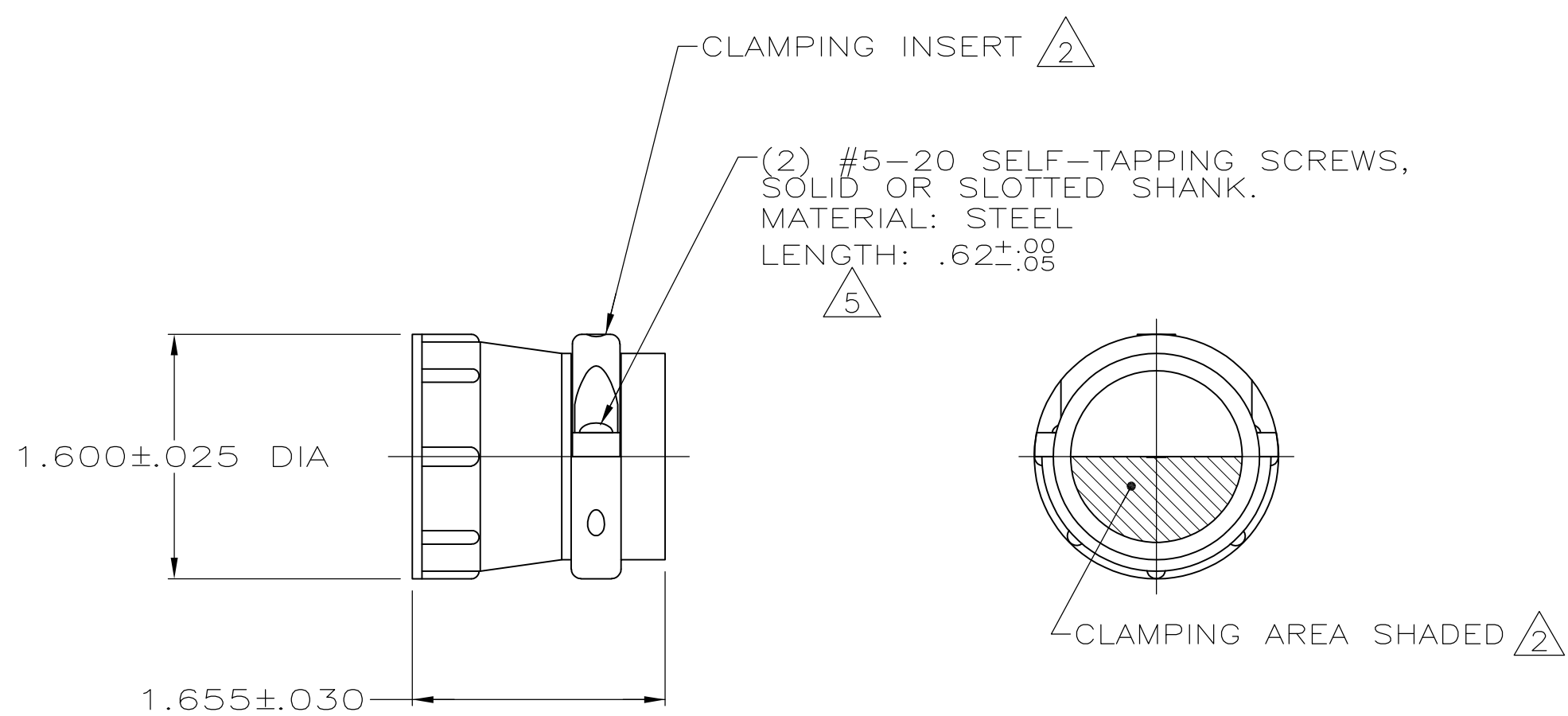


THIS DRAWING IS UNPUBLISHED. RELEASED FOR PUBLICATION  
 © COPYRIGHT - By - ALL RIGHTS RESERVED.

LOC	DIST	REVISIONS					
BD	0	P	LTR	DESCRIPTION	DATE	DWN	APVD
		G3		REVISED PER ECO-11-004587	11MAR11	RK	HMR



- 1 PARTS PACKAGED UNASSEMBLED.
- $\triangle 2$  CABLE CLAMPING AREA ADJUSTABLE FROM .261 TO .517 SQ IN BY CHANGING CLAMPING INSERT.
- 3 1.125 MAXIMUM CABLE OUTSIDE DIAMETER.
- $\triangle 4$  BULK PACKAGED KITS TO BE ORDERED IN MULTIPLES OF 75 ONLY.
- $\triangle 5$  FINISH: ZINC NON-HEXAVALENT CHROMATE.
- $\triangle 6$  OBSOLETE PARTS: OBSOLETE CIS STREAMLINING PER D.RENAUD/D.SINISI

	$\triangle 5$	$\triangle 4$ BULK	206512-6
	$\triangle 5$	INDIVIDUAL	206512-5
<del>OBSOLETE</del>	$\triangle 5$	SMALL PACK	206512-4
<del>OBSOLETE</del>	$\triangle 5$	SMALL PACK	206512-3
SUPERSEDED BY 206512-6	$\triangle 5$	$\triangle 4$ BULK	206512-2
SUPERSEDED BY 206512-5	$\triangle 5$	INDIVIDUAL	206512-1
		SCREW FINISH	PART NUMBER
			PACKAGING

THIS DRAWING IS A CONTROLLED DOCUMENT.		DWN A GRAFF 4/29/91	<b>STE</b> TE Connectivity		
DIMENSIONS: INCHES		CHK W.G.LENKER 7-23-92			
TOLERANCES UNLESS OTHERWISE SPECIFIED:		APVD -	NAME CABLE CLAMP KIT, LARGE, SHELL SIZE 23, CPC		
0 PLC $\pm$ -		PRODUCT SPEC 108-10024	SIZE A3		
1 PLC $\pm$ -		APPLICATION SPEC -	CAGE CODE 00779	DRAWING NO C-206512	RESTRICTED TO -
2 PLC $\pm$ -		WEIGHT -	SCALE 1:1		
3 PLC $\pm$ -			SHEET 1 OF 1		
4 PLC $\pm$ -			REV G3		
ANGLES $\pm$ -					
FINISH -					
MATERIAL THERMOPLASTIC			CUSTOMER DRAWING		