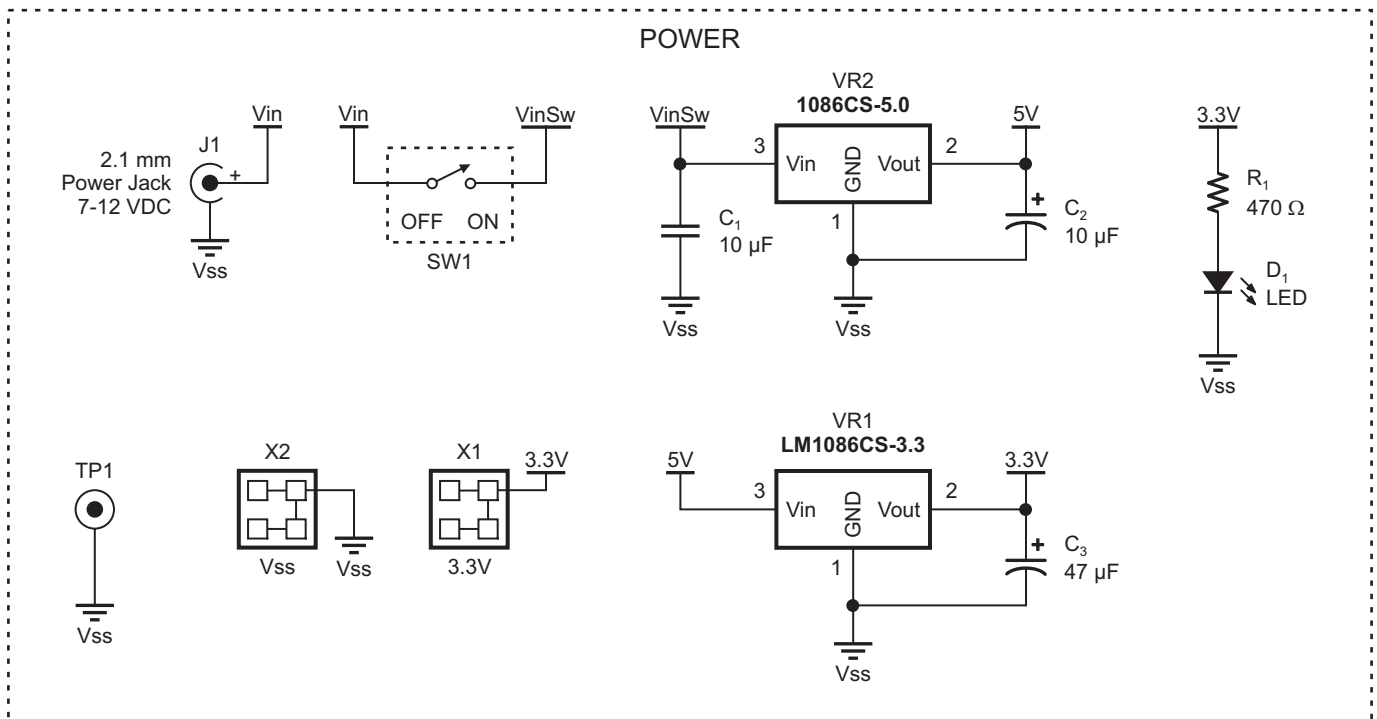


# Propeller Professional Development Board Schematic Rev. A

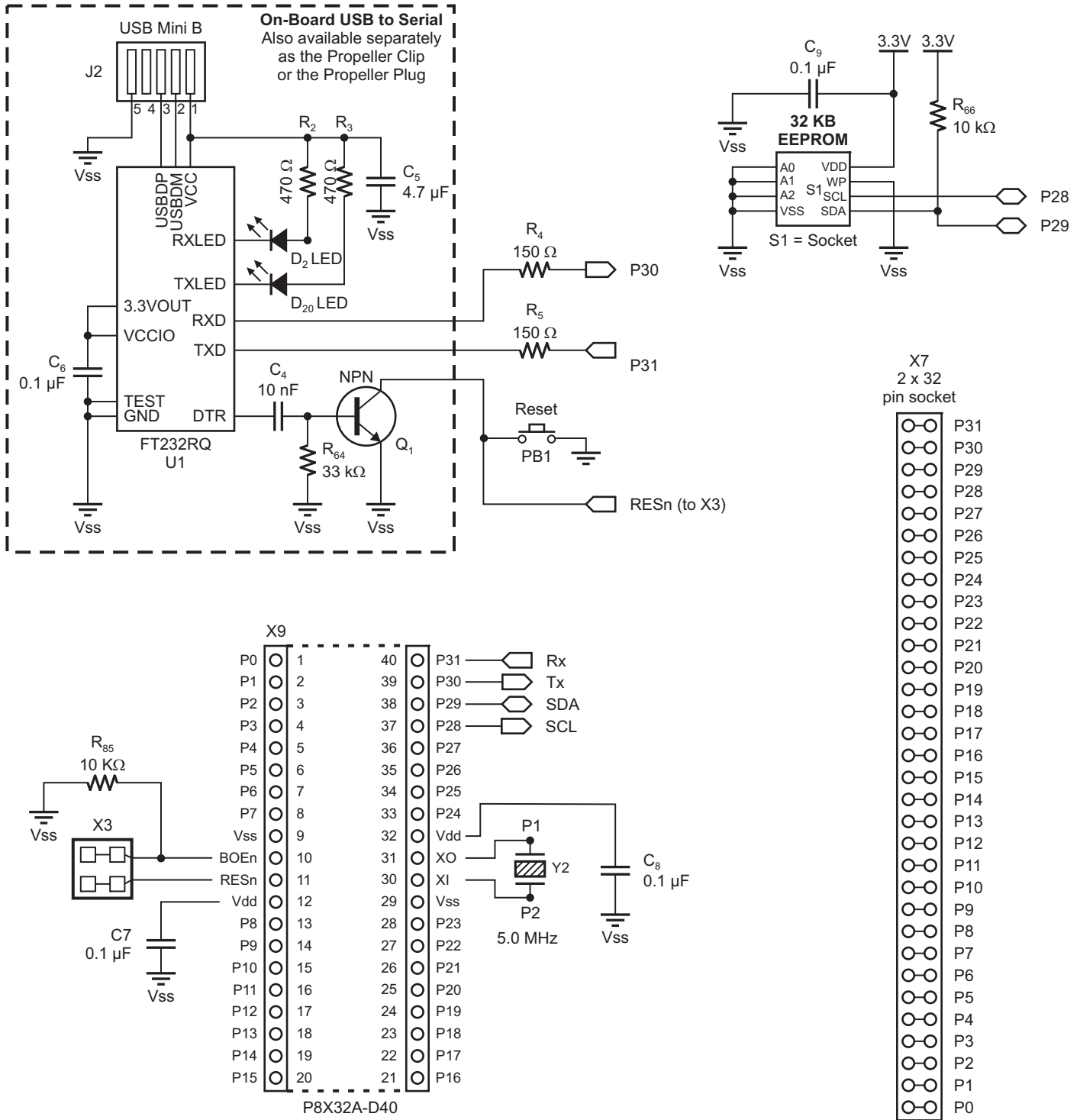
Updated July 27, 2009 © Parallax, Inc.



## Propeller Professional Development Board Schematic Rev. A

Updated July 27, 2009 © Parallax, Inc.

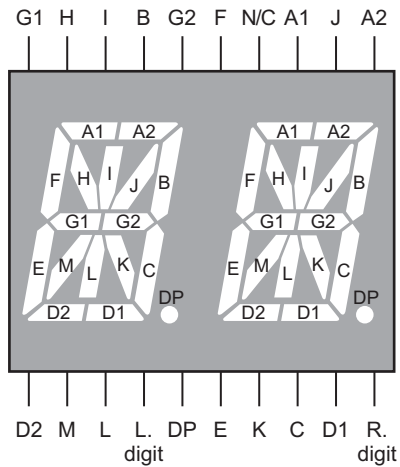
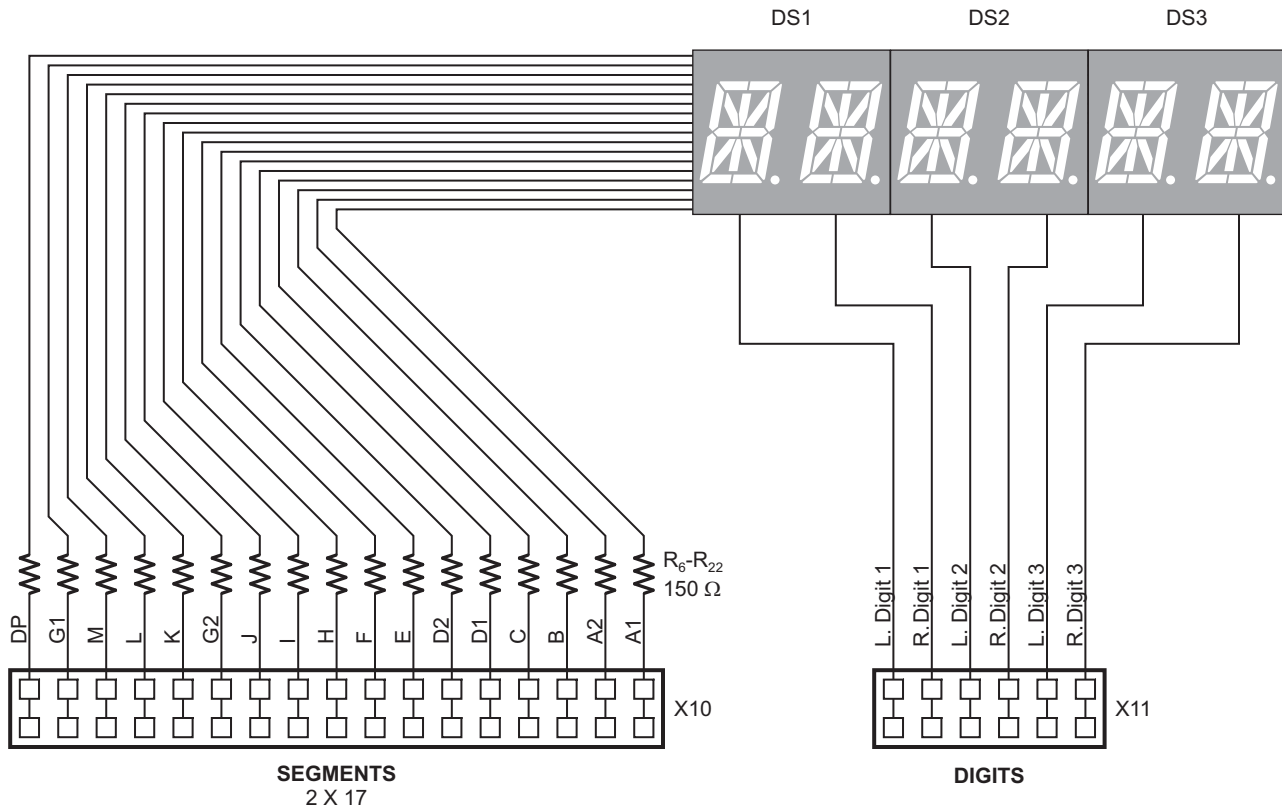
### PROPELLER CIRCUIT



# Propeller Professional Development Board Schematic Rev. A

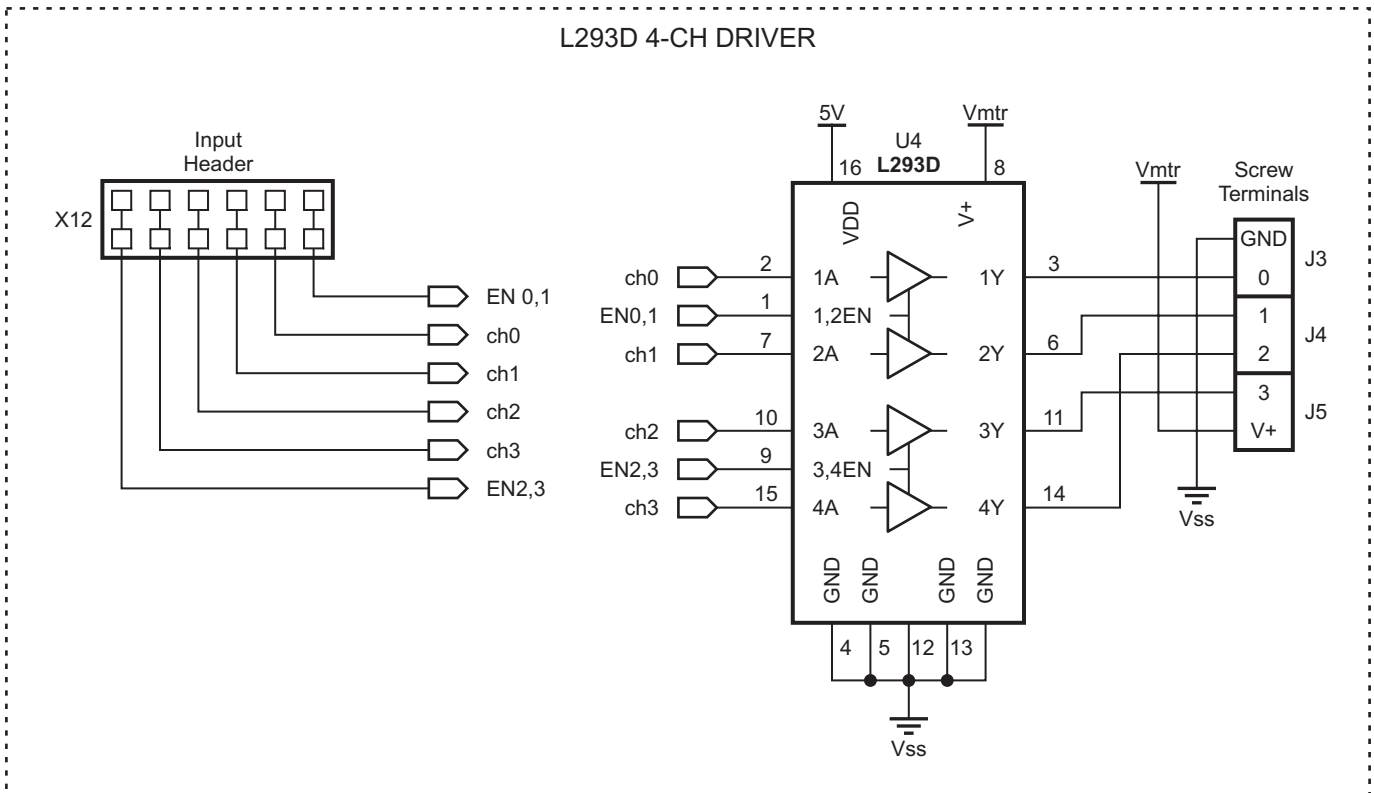
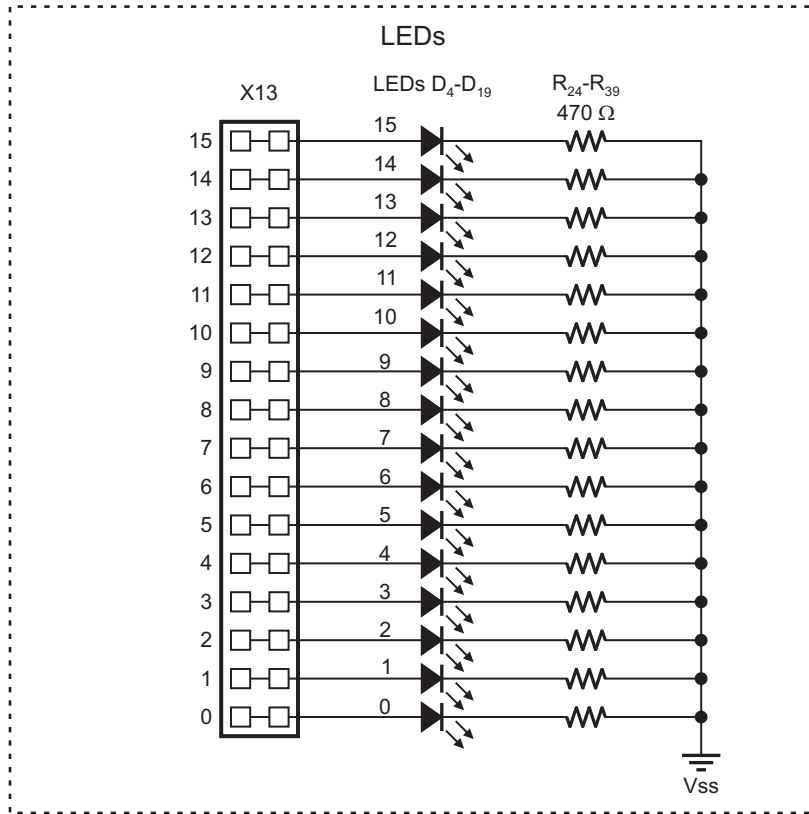
Updated July 27, 2009 © Parallax, Inc.

## SIXTEEN SEGMENT DISPLAYS



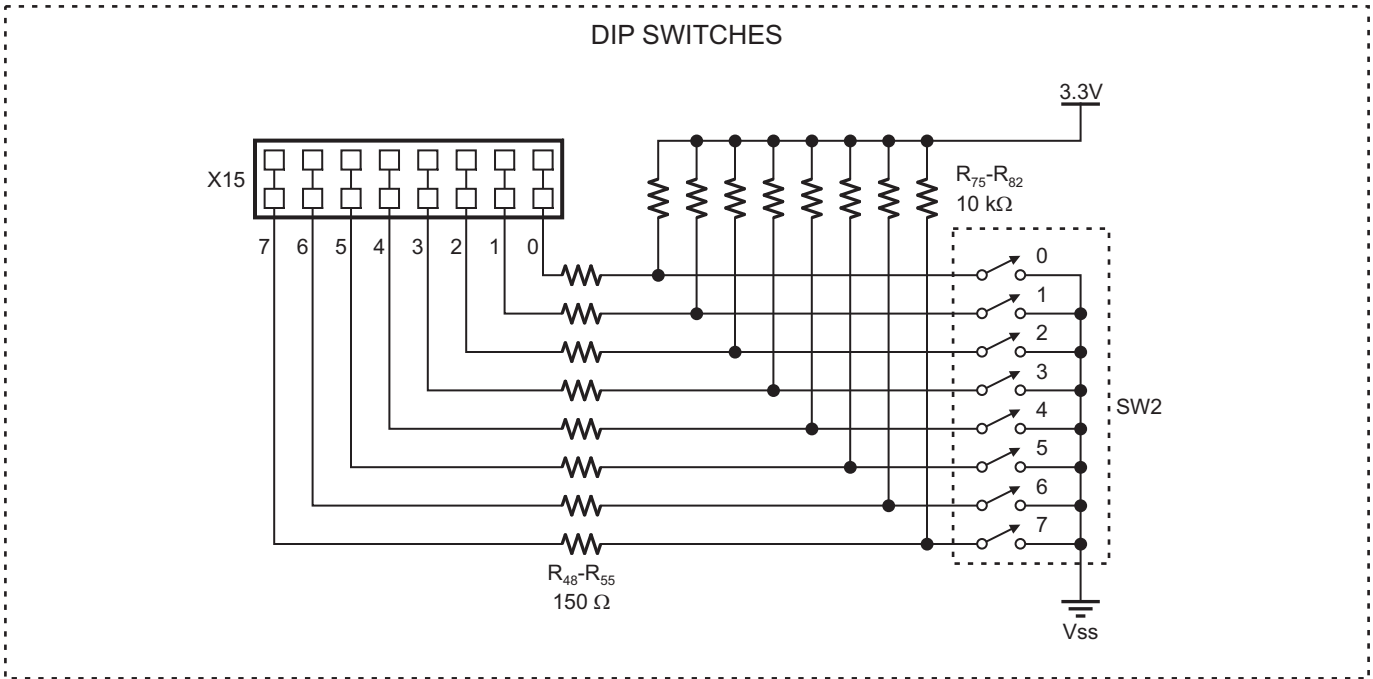
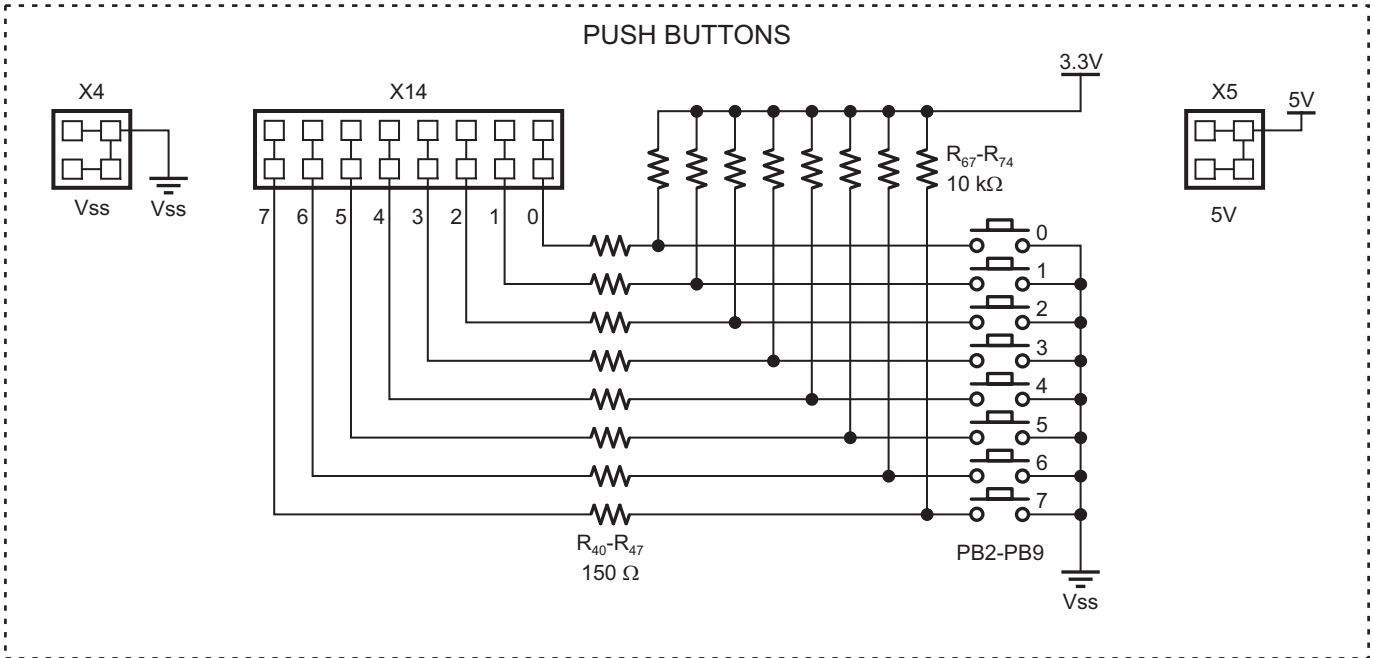
# Propeller Professional Development Board Schematic Rev. A

Updated July 27, 2009 © Parallax, Inc.



# Propeller Professional Development Board Schematic Rev. A

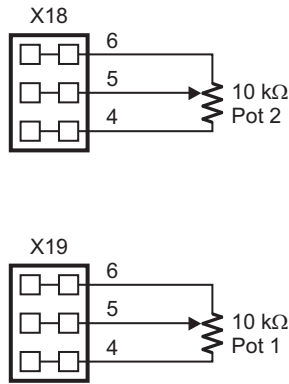
Updated July 27, 2009 © Parallax, Inc.



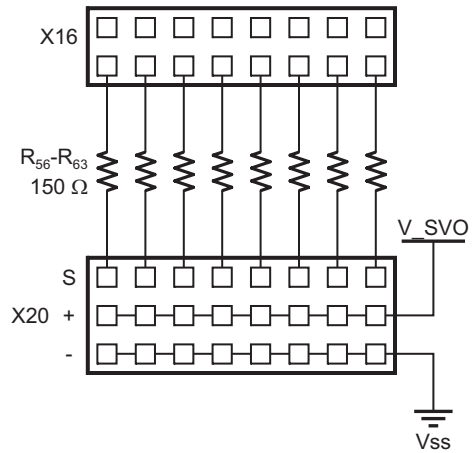
## Propeller Professional Development Board Schematic Rev. A

Updated July 27, 2009 © Parallax, Inc.

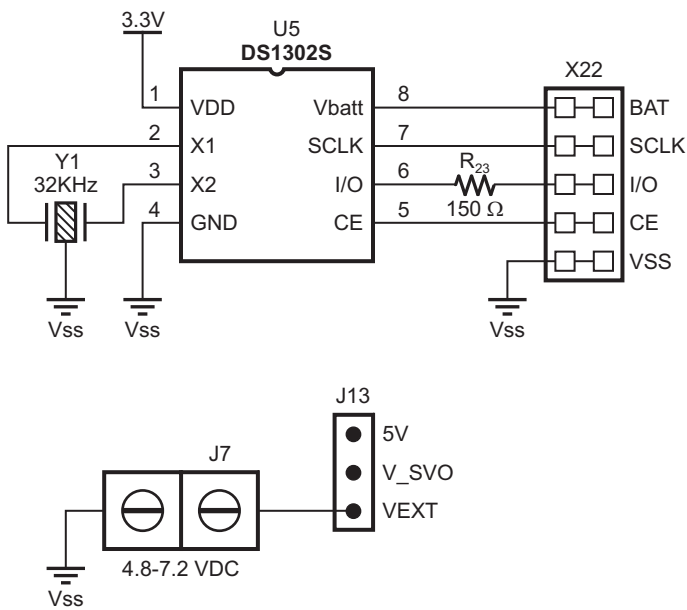
### 10K POTS



### SERVOS

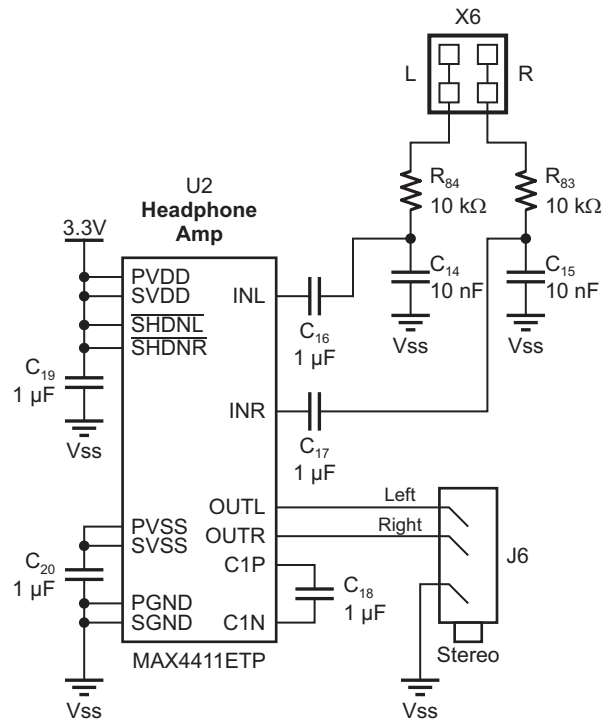


### REAL TIME CLOCK



(J7 = Screw Terminal)  
 (J13 = HDR 1x3 male)

### HEADPHONES



## Propeller Professional Development Board Schematic Rev. A

Updated July 27, 2009 © Parallax, Inc.

