

SPECIFICATIONS

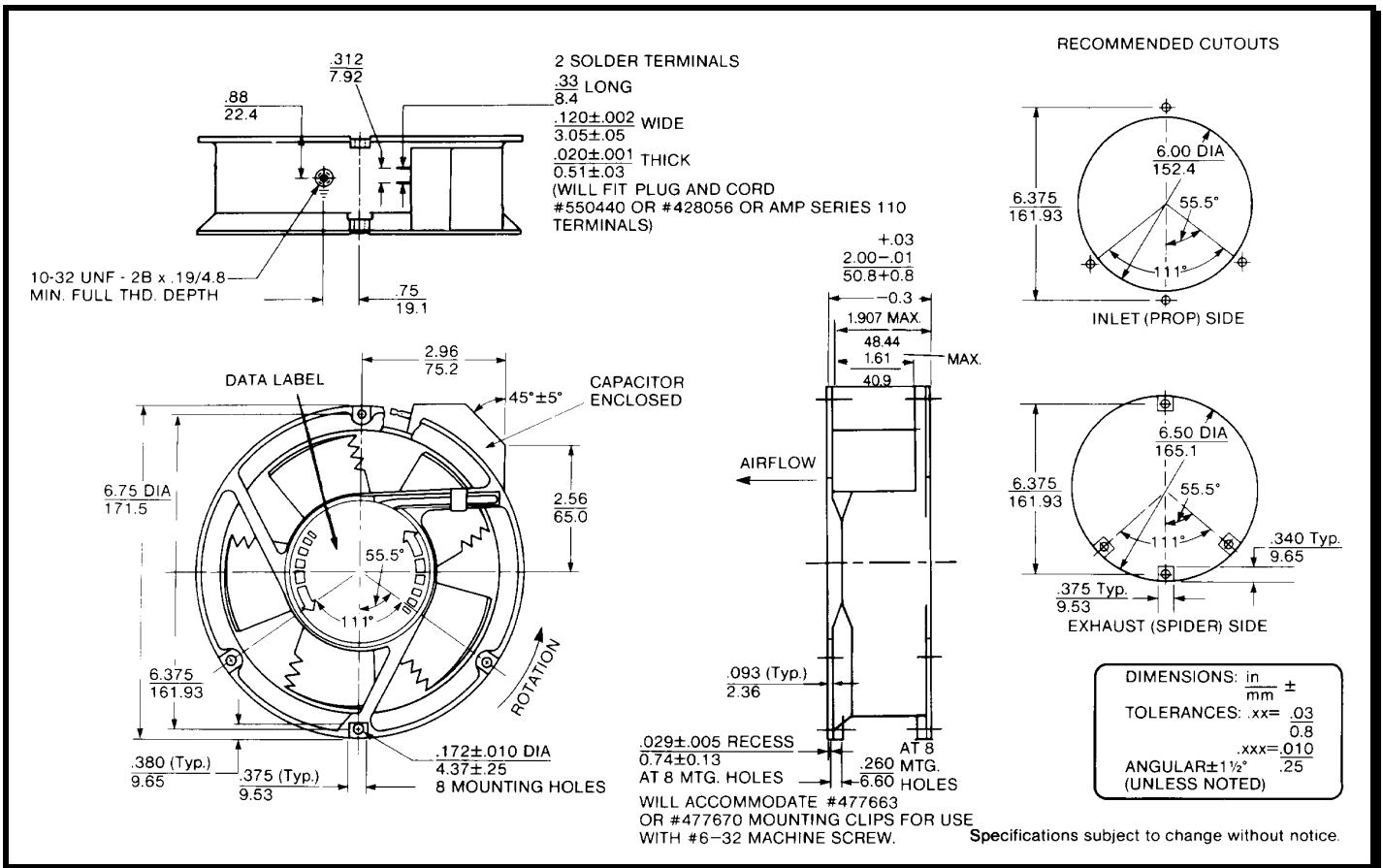
(RoHS Compliant)



Model Number: PT77B3
Part Number: 19028312A
SPEC Number: 26013945A 01

Jan 23, 2013

Mechanical Drawing:



Motor:

Frequency = 50 / 60 Hz
 Nominal Voltage = 220 / 230 VAC
 Nominal Running Current = 0.130 / 0.140 amps
 Max. Locked Rotor Current = 0.250 amps
 Running Power = 26 / 30 watts
 Average Speed = 2880 / 3400 RPM
 Bearings = Ball
 Air Flow = 200 / 235 CFM
 Acoustic = 50.3 / 54.0 dBA

Construction:

Venturi: Single Piece Die-Cast Aluminum, Black
 Propeller: Plastic, Black, UL 94V-0

Life Expectancy:

This fan is designed for continuous duty life of 65,000 hours at 30°C.

Additional Features:

Permanent Split Capacitor Motor
 Half Speed Impedance Protection
 Full Speed Automatic Reset Thermal Protector
 Operating Temperature: -10°C to 70°C
 Storage Temperature: -40°C to 85°C

Termination:

2 Terminals

Agency Approvals:

UL