

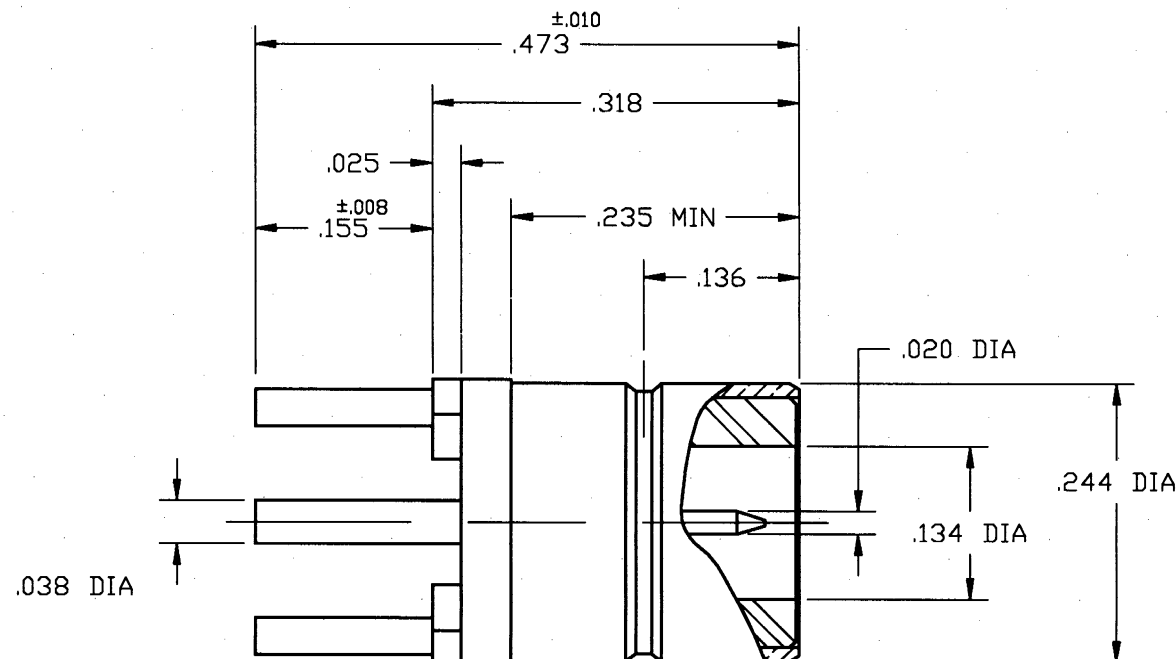
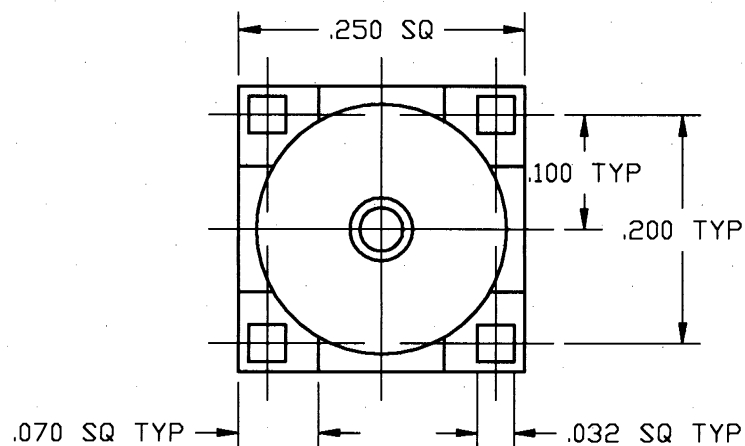
NOTES:

- DO NOT SCALE THIS DRAWING.
- PLATING MUST CONFORM TO AMPHENOL SPEC 349-50560. CONNECTOR IS GOLD PLATED. (REF)

903-523J-71P

REVISIONS

DRAWING NO.	REV	DESCRIPTION	DATE	ECO	APP
THIRD ANGLE PROJ.	A	OFFICIAL ENG. RELEASE TO MFG.	9/19/95	40912	PB



CUSTOMER DRAWING

UNLESS OTHERWISE SPECIFIED, DIMENSIONS ARE IN INCHES AND TOLERANCES ARE: 2 PLACE DECIMAL ±.015 (0,381 mm) 3 PLACE DECIMAL ±.005 (0,127 mm) ANGLES ± 1°	MATERIAL	DRAWN P. BRENZEL ENGINEER	DATE 8-23-95 DATE	TITLE 75 OHM SMB JACK PC MOUNT	Amphenol Amphenol Corporation RF/Microwave Operations Danbury, Conn. U.S.A. 06810
	REFERENCE EAR 107-964513	APPROVED CAD FILE H:\PETE\SMB\903\ASSY\523J71PC	DATE 11 Sept 95		
NOTICE - These drawings, specifications, or other data (1) are, and remain the property of Amphenol Corp. (2) must be returned upon request; and (3) are confidential and not to be disclosed to any person other than those to whom they are given by Amphenol Corp. The furnishing of these drawings, specifications, or other data by Amphenol Corp., or to any other person to anyone for any purpose is not to be regarded by implication or otherwise in any manner licensing, granting rights or permitting such holder or any other person to manufacture, use or sell any product, process or design, patented or otherwise, that may in any way be related to or disclosed by said drawings, specifications, or other data.				SHEET 2 OF 2	CODE ID 74868 DWG SIZE B DRAWING NO. 903-523J-71P ISSUE A