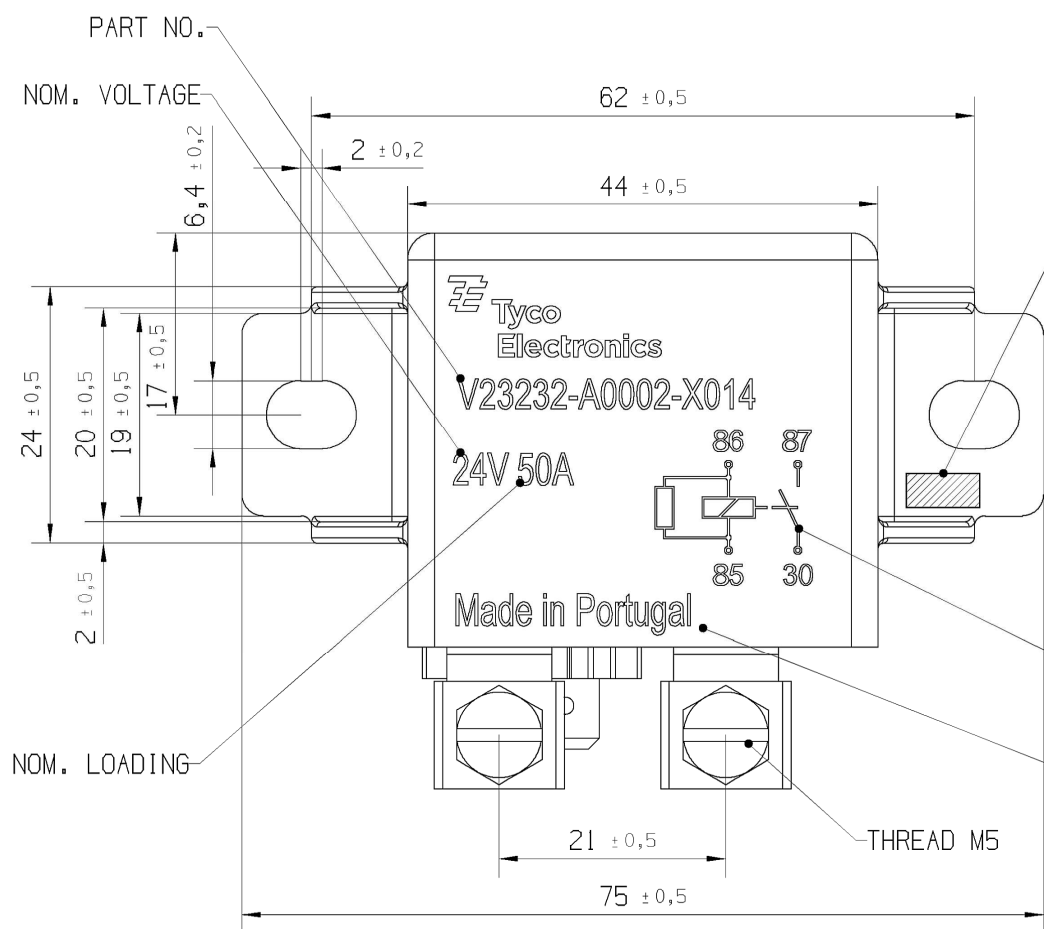
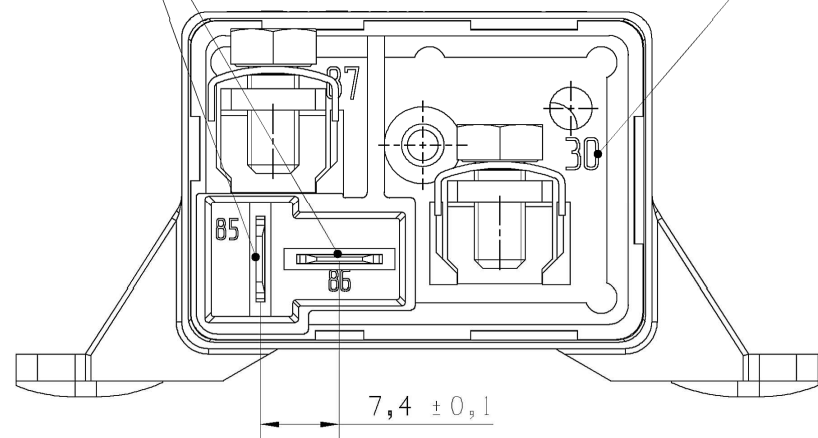
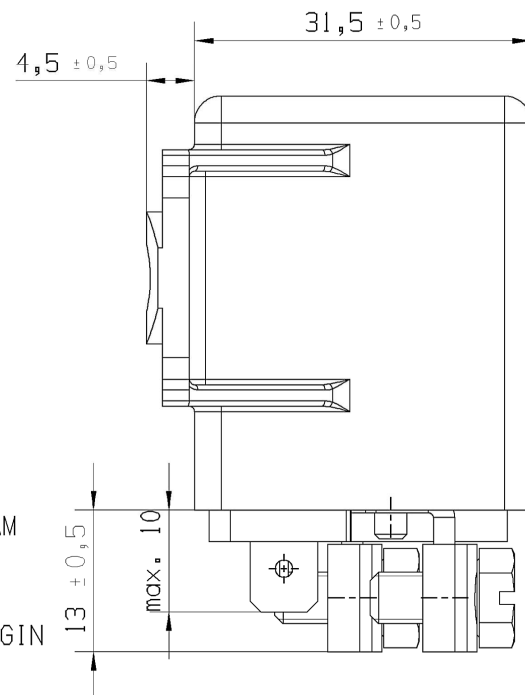


FLAT CONNECTORS 6,3 x 0,8

CONNECTOR --- NUMBER



DATE OF MANUFACTURE
OPTIONAL ON
COVER OR BASE

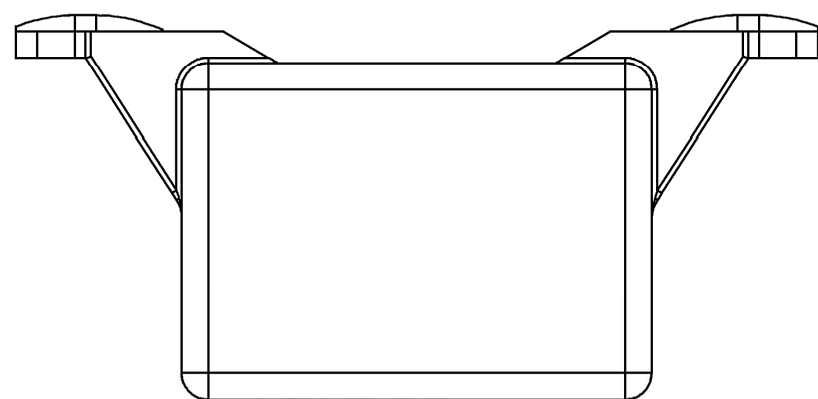


WIRE DIAGRAM
DETAIL F

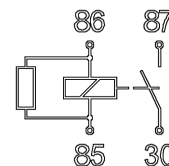
LAND OF ORIGIN

THREAD M5

NOM. LOADING



WIRE DIAGRAM



DETAIL F
SCALE 2:1

WE RESERVE THE RIGHT TO MAKE ALTERATIONS IN DESIGNATIONS

COVER AND BASE OF
POLYAMID GLASSFIBER REINFORCED, DULL BLACK

FLAT CONNECTORS 6,3x0,8 ACC. DIN 46 244
BRASS W/O PLATING SUITABLE FOR TWIN CONNECTOR
HOUSING E:G: AMP NO. 180 907

PROTECTION GROUP ACC DIN 40 050, TO PAGE 9

TERMINALS : IP00
HOUSING : IP54

TERMINALS SHALL POINT DOWNWARDS

TE P/N				PART NUMBER			
6-1904059-1				V23232-A0002-X014			
<small>PROPRIETARY</small> <small>THE REPRODUCTION, TRANSMISSION OR USE OF THIS DOCUMENT OR IT'S CONTENTS IS NOT PERMITTED WITHOUT EXPRESSED WRITTEN AUTHORITY. OFFENDERS WILL BE LIABLE FOR ALL DAMAGES. ALL RIGHTS, INCLUDING RIGHTS CREATED BY REGISTERED PATENT(S) GRANTED FOR A UTILITY MODEL OR DESIGN, ARE RESERVED.</small>				<small>CHANGES TO THIS DRAWING MUST BE DONE ONLY IN CAD</small>		<small>PAPER SIZE</small> A2	
<small>APPLICABLE SPEC. :</small>				<small>FINISH</small>			
<small>TOLERANCE UNLESS SPECIFIED OTHERWISE</small>				<small>SCALE</small> 2:1		<small>PLATING</small>	
<small>DIMENSIONS IN MM</small>				<small>WEIGHT</small> 85g			
<small>MATERIAL</small>				<small>PART NAME</small>			
<small>DATE</small> 07Jun2012				POWER RELAY			
<small>NAME</small> L. Barr				24V 50A			
<small>APP.</small>				<small>PART NO.</small>			
<small>REV.</small>				V23232-A0002-X014			
<small>LOCATION</small> TE PE EVORA				<small>SHT.</small>			
<small>REV. CHANGE ORDER</small>				1			
<small>DATE</small>				<small>OF 2</small>			
<small>APP.</small>				<small>CUSTOMER DRAWING</small>			
<small>CALSS</small> 3							

TECHNICAL DATA	
Nominal voltage (load and excitation circuit)	24V
Operating voltage range	16...32 V
Permissible ambient temperature	-40...100 °C (1)
Pull in voltage	max. 17V
Drop out voltage	min. 4V
Coil Resistance	130 ± 10% Ohm
Resistor in parallel with coil	510 ± 10% Ohm
Equivalent resistance	104 ± 10% Ohm
Response time (in new condition)	max. 10 ms
Drop out time (in new condition)	max. 15 ms
Voltage drop at nominal current measured at NO-contact 30/87 when new	max 100 mv at 50A
Voltage drop at nominal current measured at NO-contact 30/87 after life test	max 200 mv at 50A
Degree of protection for housing in general	IP 54
Degree of protection for terminals in general	IP 00
Resistive Load current/cycles with a duty cycle (ON-OFF): 2s- 2s	50A min. 50.000 cycles

0 10 20 30 40 50 60 70 80 90 100

TE P/N				PART NUMBER			
6-1904059-1				V23232-A0002-X014			
<small>PROPRIETARY</small> <small>THE REPRODUCTION, TRANSMISSION OR USE OF THIS DOCUMENT OR IT'S CONTENTS IS NOT PERMITTED WITHOUT EXPRESSED WRITTEN AUTHORITY. OFFENDERS WILL BE LIABLE FOR ALL DAMAGES. ALL RIGHTS, INCLUDING RIGHTS CREATED BY REGISTERED PATENT(S) GRANTED FOR A UTILITY MODEL OR DESIGN, ARE RESERVED.</small>				CHANGES TO THIS DRAWING MUST BE DONE ONLY IN CAD		PAPER SIZE A2	
APPLICABLE SPEC. :				FINISH			
				DIMENSIONS APPLY		PLATING	
		TOLERANCE UNLESS SPECIFIED OTHERWISE		SCALE		WEIGHT 85g	
		DIMENSIONS IN MM		MATERIAL			
		DATE		PART NAME			
		DWN. 07Jun2012		L. Barr			
		APP.		POWER RELAY 24V 50A			
		REV.					
A4 ECO-15-010395		15JUL2015		F. Sil			
A3 ECO-15-002362		02FEB2015		F. Sil			
A2 ECO-15-000096		17JUL2014		F. Sil			
A1 ECO-14-0000964		21Jan2014		L. Barr			
A INITIAL VERSION		07Jun2012		L. Barr			
REV. CHANGE ORDER		DATE		APP.		CLASS 3	
				PART NO.		SHT. 2 OF 2	
				V23232-A0002-X014		CUSTOMER DRAWING	

