

32.768kHz WATCH CRYSTAL, 8.3 x ø3.2MM CYLINDER PACKAGE

AB38T

AB38T



RoHS
Compliant

8.3 x ø3.2mm

FEATURES:

- Commercial grade 32.768kHz crystal

APPLICATIONS:

- Real time clock
- Measuring instruments.
- Clock source for communication or A/V equipment.

STANDARD SPECIFICATIONS:

Parameters	Minimum	Typical	Maximum	Units	Notes
Center Frequency	-----	32.768	-----	kHz	
Operating Temperature	-10	-----	+60	°C	See options
Turnover Temperature	+20	+25	+30	°C	
Storage Temperature	-40	-----	+85	°C	
Frequency Tolerance @+25°C	-20	-----	+20	ppm	See options
Frequency Coefficient (β)	-0.040	-0.034	-0.028	ppm/T ²	
Equivalent series resistance (R1)	-----	-----	30	kΩ	
Shunt capacitance (C0)	-----	1.60	-----	pF	
Motional capacitance (C1)	-----	0.0035	-----	pF	
Capacitance ratio (C0/C1)	-----	4,600	-----	-----	
Load capacitance (CL)	-----	12.5	-----	pF	See options
Drive Level	-----	-----	1	μW	
Quality Factor	-----	90,000	-----		
Aging @25°C±3°C (First year)	-3	-----	+3	ppm	32.768kHz
	-5	-----	+5		Other frequencies
Insulation Resistance	500	-----	-----	MΩ	@ 100Vdc ± 15V

OPTIONS & PART IDENTIFICATION:

(Left blank if standard)

AB38T-32.768kHz - - -

Load Capacitance (pF)

Blank: 12.5pF
Please specify custom load cap. in pF (ex. 6 for 6pF)

Operating Temperature

E: 0 to +70 °C
B: -20 to +70 °C

Freq. Tolerance

1: ± 10 ppm *
7: ± 15 ppm

* Please contact Abracon for availability

32.768kHz WATCH CRYSTAL, 8.3 x ø3.2MM CYLINDER PACKAGE

AB38T

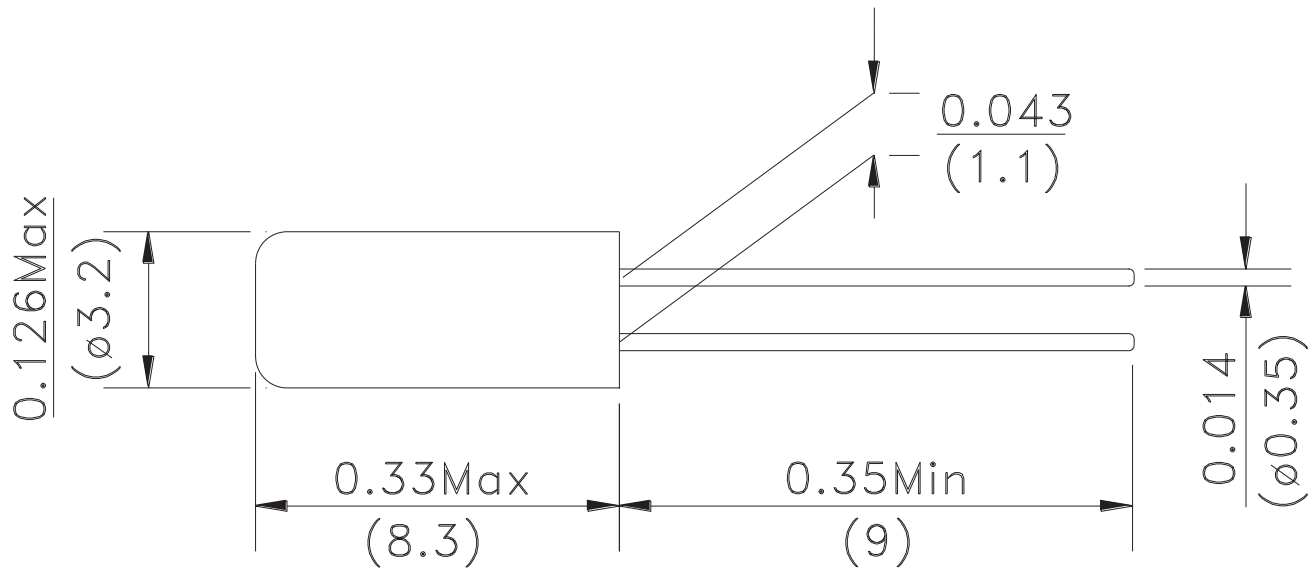
AB38T



RoHS
Compliant

8.3 x ø3.2mm

OUTLINE DRAWING:



Dimensions: Inches (mm)

ATTENTION: Abracon Corporation's products are COTS – Commercial-Off-The-Shelf products; suitable for Commercial, Industrial and, where designated, Automotive Applications. Abracon's products are not specifically designed for Military, Aviation, Aerospace, Life-dependant Medical applications or any application requiring high reliability where component failure could result in loss of life and/or property. For applications requiring high reliability and/or presenting an extreme operating environment, written consent and authorization from Abracon Corporation is required. Please contact Abracon Corporation for more information.

ABRACON IS
ISO9001:2008
CERTIFIED



Visit www.abracon.com for Terms & Conditions of Sale

Revised: 08.08.11-I

30332 Esperanza, Rancho Santa Margarita, California 92688

tel 949-546-8000 | fax 949-546-8001 | www.abracon.com