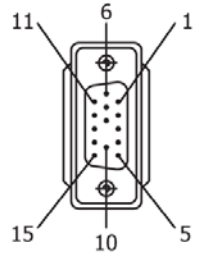
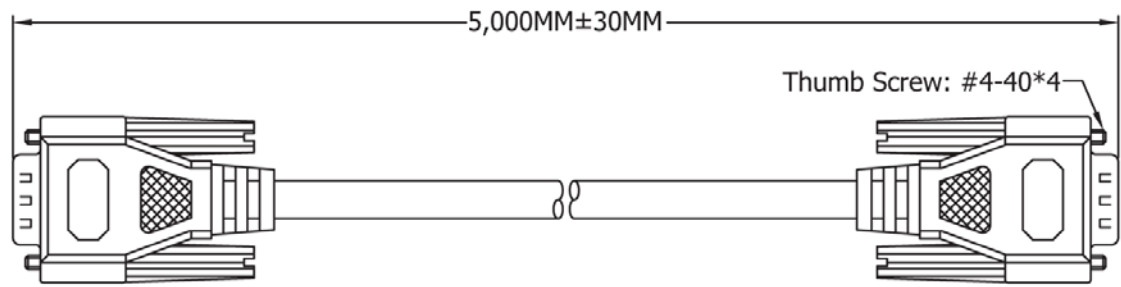


A  
B  
C  
D  
E  
F  
G  
H

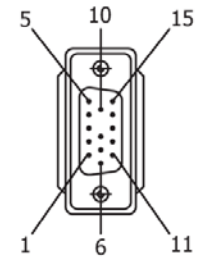
HDB 15 Male  
Plastic: Blue



**P1**



HDB 15 Male  
Plastic: Blue



**P2**

**Material:**

.CABLE:28AWG(7/0.127 T.C)\*3COAX(75 OHMS)+INSULATION:FO-PE INNER  
JACKET:PVC OD:Ø2.5± 0.1mm(UL-1354)+28AWG(7/0.127 T.C)\*4C+  
INSULATION:SR-PVC ID:Ø0.85± 0.05mm(UL-1061)+AL/MY+DRAIN  
WIRE:26AWG(7/0.16 T.C)+BRAID SHIELD(85%)+OUTER JACKET:PVC  
COLOR:BEIGE OD:Ø8.1± 0.15mm UL-2919

**.CONNECTOR:**

P1&P2:HDB 15P MALE,GOLD FLASH CONTACT,NICKEL PLATED SHELL  
(9TH PIN UNLOAD)

.SHIELD:COPPER-FOIL 360° SOLDER TO CONNECTOR SHELL & CABLE BRAID

.HOOD:MOLDED TYPE,PVC 45P,COLOR:BEIGE.

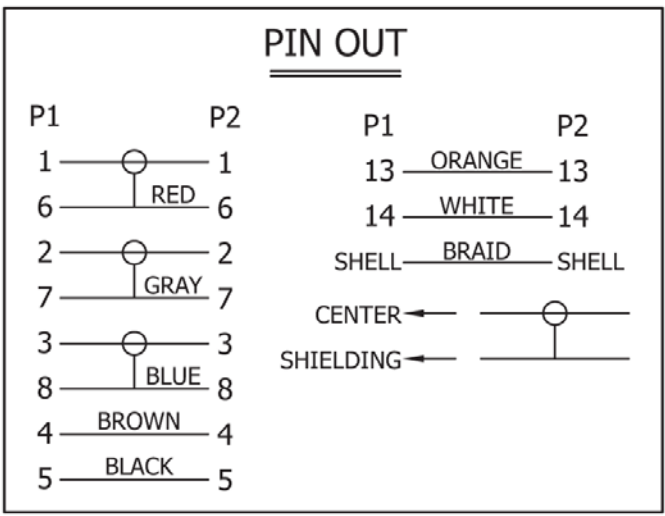
**.ELECTRONIC TEST:**

- <1>.100% OPEN SHORT & MIS WIRE TEST
- <2>.CONTACT RESISTANCE 3 OHMS MAX.
- <3>.INSULATION RESISTANCE 1M OHMS MIN/ DC 5V

.PACKING:SEE P-0039 REV.C PACKING DRAWING

(HANKING SIZE MUST BE SMALLER THAN PACKING)

PACKING TYPE: DB VP4.



Scale	1:1					Name	Item No.
TOLERANCE					Drawn	11.16.11	<b>AK3770-5</b>
X.X	±0.40				Approved	Chappell	
X.XX	±0.25						<b>Title</b> Premium VGA Monitor connection cable - HD D-Sub 15 pin Male <=> Male, 5 Meters
X.XXX	±0.15						Drawing No.
Angle	±3°						<b>rev00</b>
							Replace
							Sheet
		Modification	Date	Name			