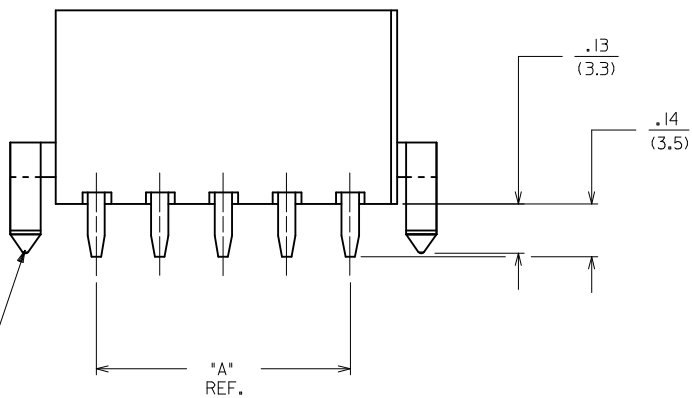


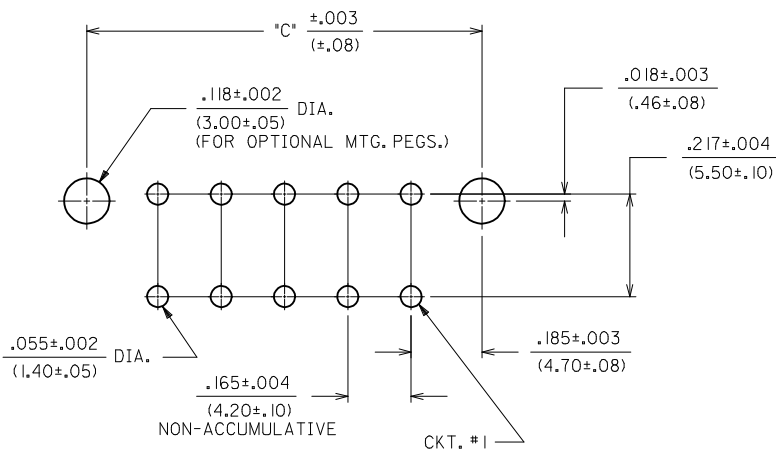
CIRCUIT SIZE	DIM. "A"	DIM. "B"	DIM. "C"
2	—	.21 (5.4)	.370 (9.40)
4	.17 (4.2)	.38 (9.6)	.535 (13.60)
6	.33 (8.4)	.54 (13.8)	.701 (17.80)
8	.50 (12.6)	.71 (18.0)	.866 (22.00)
10	.66 (16.8)	.87 (22.2)	1.031 (26.20)
12	.83 (21.0)	1.04 (26.4)	1.197 (30.40)
14	.99 (25.2)	1.20 (30.6)	1.362 (34.60)
16	1.16 (29.4)	1.37 (34.8)	1.528 (38.80)
18	1.32 (33.6)	1.54 (39.0)	1.693 (43.00)
20	1.49 (37.8)	1.70 (43.2)	1.858 (47.20)
22	1.65 (42.0)	1.87 (47.4)	2.024 (51.40)
24	1.82 (46.2)	2.03 (51.6)	2.189 (55.60)

NOTES

- HOUSING MATERIAL:
 - A - NYLON 6/6, UNFILLED U.L. 94V-2, COLOR: NATURAL.
 - B - NYLON 6/6, UNFILLED U.L. 94V-0, COLOR: NATURAL.
- TERMINAL MATERIAL: BRASS ALLOY
- TERMINAL PLATING
 - GS - .000030 MIN. SELECT GOLD AND .000100 MIN. SELECT MATTE TIN OVER .000050 MIN. NICKEL OVERALL.
 - S - .000100 MIN. BRIGHT TIN OVER .000050 MIN. NICKEL OVERALL.
 - C - .000100 MIN. MATTE TIN OVER .000050 MIN. NICKEL OVERALL.
- PRODUCT SPECIFICATION: PS-5556-001
- PACKAGING SPECIFICATION: SEE CHART
- PART MATES WITH MINI-FIT JR. RECEPTACLE #5557.
- CONNECTOR ASSEMBLIES ARE NOT TO BE MATED OR UNMATED WHILE CIRCUITS ARE LIVE.
- HOUSING STYLE
 - 1 - WITHOUT PEGS
 - 3 - WITH PEGS
- PARTS ARE NOT DESIGNED FOR CURRENT SHARING.
- THIS DIMENSION APPLIES TO DUAL AND SINGLE ROW 4 THRU 24 CIRCUIT PARTS THIS DIMENSION IS .490/(12.45) FOR 3 CIRCUIT SINGLE ROW PARTS ONLY.
- PART CONFORMS TO CLASS "B" REQUIREMENTS OF COSMETIC SPECIFICATION PS-45499-002
- 5 CIRCUIT PARTS HAVE PEG DESIGN B. ALL OTHER CIRCUIT SIZES HAVE PEG DESIGN A.
- TEXT ON PART IS FOR REFERENCE ONLY. TEXT AND TEXT LOCATION MAY VARY DEPENDING ON PART NUMBER AND/OR TOOL.

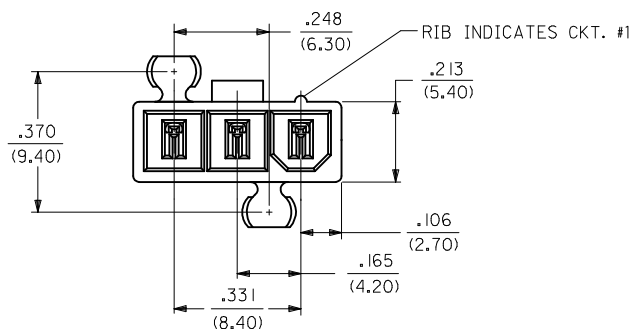
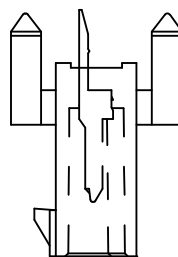
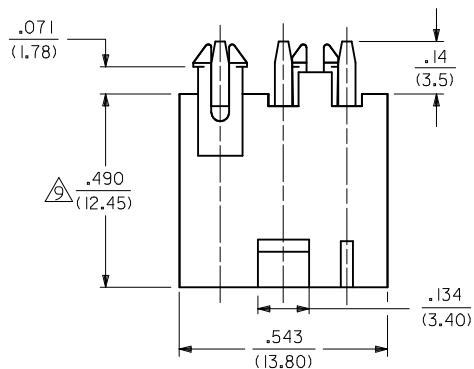


OPTIONAL MOUNTING PEGS

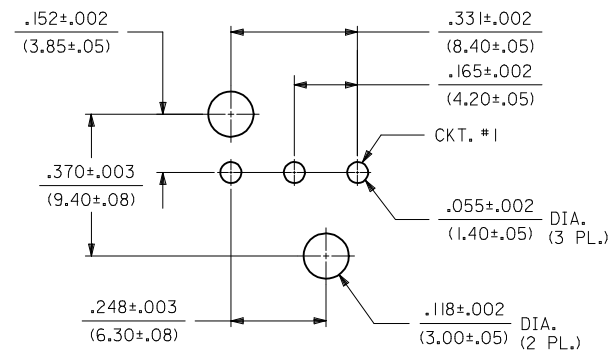


RECOMMENDED P.C. BOARD LAYOUT
VIEWED FROM COMPONENT SIDE

REV	DESCRIPTION	QUALITY SYMBOLS	GENERAL TOLERANCES (UNLESS SPECIFIED)		DIMENSION STYLE		SCALE	DESIGN UNITS	THIRD ANGLE PROJECTION	
			mm	INCH	IN/MM	DATE				
L9	ADD 2 & 6 CKT EC NO: UCP2017-1480 DRWING: SLAFTER 2016/08/18 CHKD: JBELL 2016/08/18 APPR: FSMITH 2017/02/01	▽=0 ▽=0 ▽=0	4 PLACES ± --- ± ---	3 PLACES ± --- ± .015	2 PLACES ± 0.38 ± .020	1 PLACE ± 0.50 ± ---	0 PLACE ± ±	4:1	METRIC	VERTICAL HDR. ASSEMBLIES WITH MIXED TERM. PLATING (MINI-FIT JR. SERIES)
			ANGULAR ±1/2°		DRAWN BY RJF DATE 10/04/88					molex
			DRAFT WHERE APPLICABLE MUST REMAIN WITHIN DIMENSIONS		CHECKED BY JTR DATE 10/04/88					
					APPROVED BY FSMITH DATE 2011/01/17					
					MATERIAL NO. SEE CHART					DOCUMENT NO. SDA-42382-****
					SIZE C					SHEET NO. 1 OF 3
			THIS DRAWING CONTAINS INFORMATION THAT IS PROPRIETARY TO MOLEX INCORPORATED AND SHOULD NOT BE USED WITHOUT WRITTEN PERMISSION							



3-CIRCUIT VERTICAL SINGLE ROW HEADER ASSEMBLY
(PART SHOWN FULLY LOADED)



RECOMMENDED P.C. BOARD LAYOUT FOR 3-CKT. HEADER WITH PEGS.

VIEWED FROM COMPONENT SIDE

SEE SHEET 1 EC NO: UCP2017-1480 DRAWN: SLAFER 2016/08/18 CHKD: JBELL 2016/08/18 APPR: FSMITH 2017/02/01	DESCRIPTION REV	QUALITY SYMBOLS	GENERAL TOLERANCES (UNLESS SPECIFIED)	DIMENSION STYLE IN/MM	SCALE 4:1	DESIGN UNITS METRIC	THIRD ANGLE PROJECTION
		▽=0 ▽=0 ▽=0	mm INCH	DRAWN BY DATE RJF 10/04/88	TITLE VERTICAL HDR. ASSEMBLIES WITH MIXED TERM. PLATING (MINI-FIT JR. SERIES)		
L9	REV		4 PLACES ± --- ± ---	CHECKED BY DATE JTR 10/04/88	MATERIAL NO. SEE CHART	DOCUMENT NO. SDA-42382-****	SHEET NO. 2 OF 3
			3 PLACES ± --- ± .015	APPROVED BY DATE FSMITH 2011/01/17			
			2 PLACES ± 0.38 ± .020				
			1 PLACE ± 0.50 ± ---				
			0 PLACE ± ±				
			ANGULAR ±1/2°				
			DRAFT WHERE APPLICABLE MUST REMAIN WITHIN DIMENSIONS				
				SIZE C	THIS DRAWING CONTAINS INFORMATION THAT IS PROPRIETARY TO MOLEX INCORPORATED AND SHOULD NOT BE USED WITHOUT WRITTEN PERMISSION		

