

SUMMARY



Image is for illustrative purpose only

Wires

Low	0
High	0
Coax	0
Triax	0
Quad	0
Fiber	0
Fluidic	1

Download

[Request a quote](#)

[Catalog](#)

Series	C
Termination type	
IP rating	50
Cable Ø	0.00 - 0.00 mm
Matching parts	CAB.015.NLC.C92A
Status	
Alternative part	

TECHNICAL DETAILS

Mechanics

Shell Style/Model	CK*: Fixed receptacle with two nuts (back panel mounting)
Keying	
Housing Material	PSU (Polysulfone), black
Cable Fixing	∅ 0 - 0 mm
Variant	

Performance

Configuration	CKB.015 : 1 Fluidic, 10 Low V.
Insulator	
Rated Current	5 Amps

Specifications

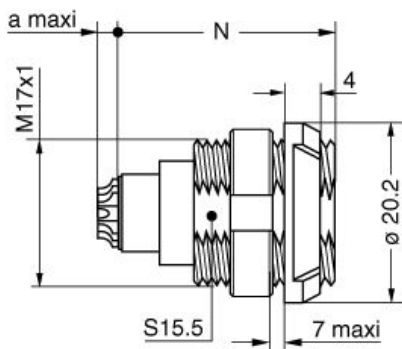
Test voltage (kV rms) Contact-contact:	1.15
Air clearance min. (mm) or Creepage distance min. (mm):	0.9

Others

IP Rating:	50
------------	----

DRAWINGS

Draws



Dimensions

	A	L	N	e
mm.	20.2	28.7	23.8	M17x1
in.	0,80	1,13	0,94	

RECOMMENDED BY LEMO

Tools

Crimp Tool: DPC.91.701.V

Crimp settings: AWG/Selector = 22-24-26/6-5-5

Positionner: DCE.91.072.BVM

Extractor: DCF.91.070.2LT

Replacement contact: EGG.2B.655.ZZM

Cables