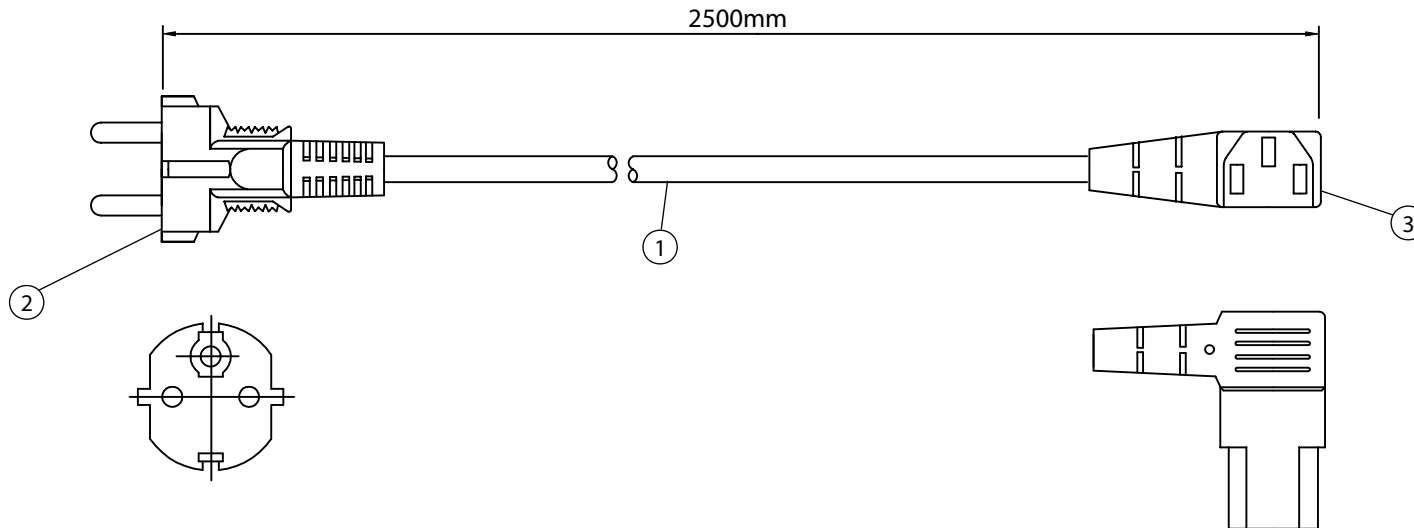


THESE DRAWINGS ARE THE PROPERTY OF QUALTEK ELECTRONICS AND NOT TO BE REPRODUCED FOR OR COMMUNICATED TO A THIRD PARTY WITHOUT THE EXPRESS WRITTEN PERMISSION OF AN OFFICER OF QUALTEK ELECTRONICS.

| REVISION |                 |          |          |
|----------|-----------------|----------|----------|
| REV.     | DESCRIPTION     | DATE     | APPROVED |
| B        | RoHS Compliancy | 06-01-06 | LY       |
|          |                 |          |          |



**CONTROLLED**

NOTES:

1. CORDAGE: H05VV-F, 3 x 0.75mm, UNSHIELDED, CEE COLOR CODE, TEMP. RATING 70°C, RATING: 250V 6A, JACKET COLOR: BLACK
2. PLUG: IEC 884/CEE7-VII
3. CONNECTOR: IEC 60320 C13 RIGHT ANGLE
4. APPROVALS: CB, GERMANY, DENMARK, NORWAY, FINLAND, BELGIUM, NETHERLANDS, SWEDEN, AUSTRIA, ROHS COMPLIANT
- 5.

| Dim range (mm) | Tolerance +/- (mm) | Qualtek Electronics Corp.<br>PPC DIVISION |                |  |
|----------------|--------------------|---|----------------|--|
| 0-1            | 0.15               | Part Number:                              | 365003-D01     | <span style="border: 1px solid green; padding: 2px;">RoHS Compliant</span> |
| 1-6            | 0.20               | Description: POWER CORD                   |                |  |
| 6-18           | 0.30               |   | UNIT: mm       | REV. B   |
| 18-50          | 0.50               | Drawn / Date                              | Checked / Date | Approved / Date  |
| 50-120         | 0.70               | B.ZHANG<br>01-14-03                       | 01-14-03       | JJH / 01-14-03   |
| 120-250        | 0.90               |   |                |  |
| 250-500        | 1.20               |   |                |  |