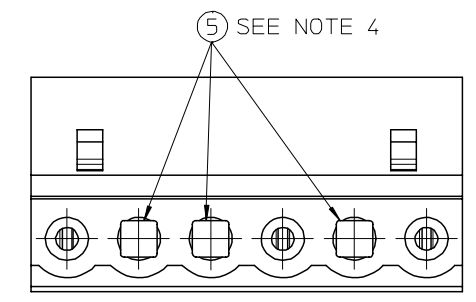
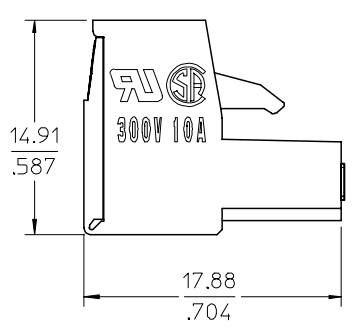
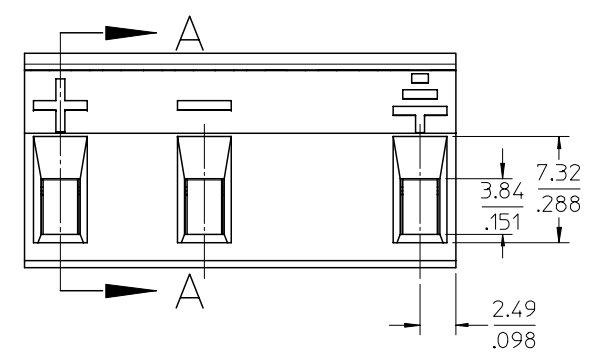
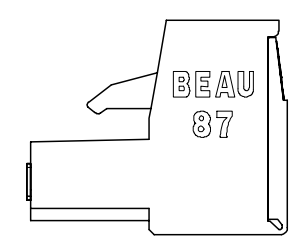


AUX. VIEWS SHOWN FOR REFERENCE  
SCALE 1:1



- NOTES:
1. MATERIAL: SEE TABLE
  2. FINISHES: SEE TABLE
  3. ASSEMBLY IS ROHS COMPLIANT BY EXEMPTION.  
COMPONENTS MARKED WITH AN ASTERISK (\*) ARE ROHS COMPLIANT BY EXEMPTION, ALL OTHERS ARE ROHS COMPLIANT.
  4. POLARIZING KEYS ARE INSTALLED AS SHOWN.

INITIAL RELEASE EC NO: ETC2007-0392 DRWN: C. YORK 2007/05/11 CHKD: J. MACNEIL 2007/05/11 APPR: J. MACNEIL 2007/05/14	QUALITY SYMBOLS ▽=0 ▽=0	GENERAL TOLERANCES (UNLESS SPECIFIED)		DIMENSION STYLE	SCALE	DESIGN UNITS	THIRD ANGLE PROJECTION
		mm	INCH	MM/IN	3:1	INCH	
A	DESCRIPTION	4 PLACES	± ---	± ---	DRAWN BY	DATE	TITLE
		3 PLACES	± ---	± .005	C. YORK	2007/05/09	
REV	DESCRIPTION	2 PLACES	± 0.13	± .01	CHECKED BY	DATE	MOLEX INCORPORATED
		1 PLACE	± 0.25	± ---	J. MACNEIL	2007/05/09	
		ANGULAR ± 2 °		APPROVED BY	DATE	MATERIAL NO.	DOCUMENT NO.
		DRAFT WHERE APPLICABLE MUST REMAIN WITHIN DIMENSIONS		J. MACNEIL	2007/05/09	398790306	SD-39879-017
				SIZE	THIS DRAWING CONTAINS INFORMATION THAT IS PROPRIETARY TO MOLEX INCORPORATED AND SHOULD NOT BE USED WITHOUT WRITTEN PERMISSION		
				B			