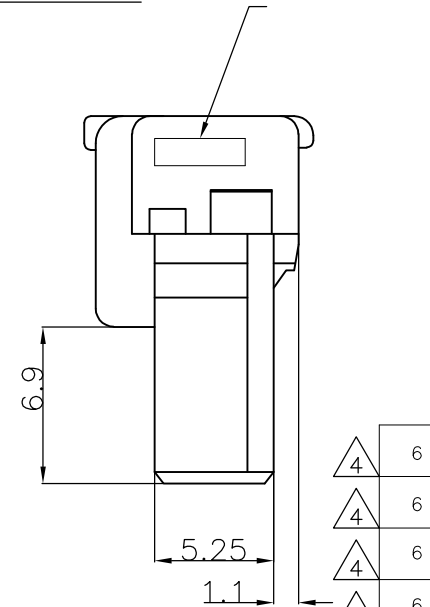
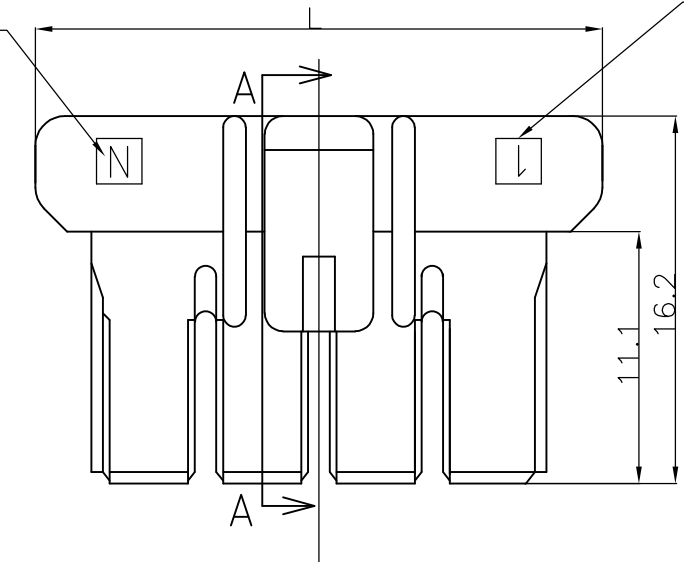
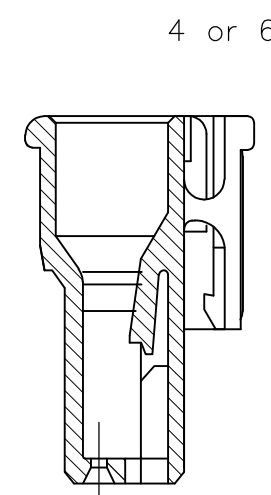
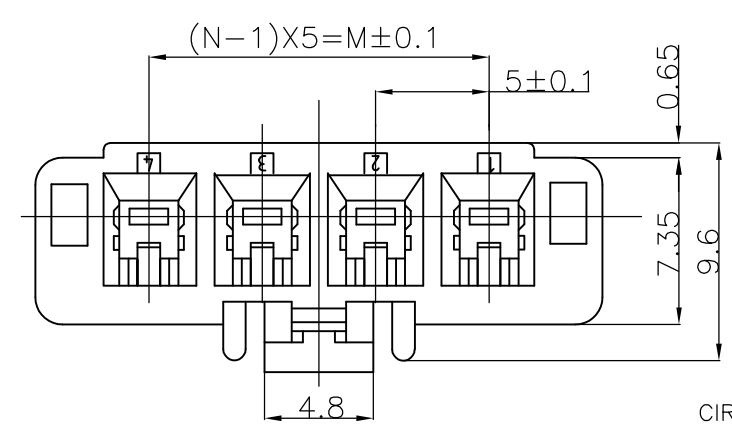
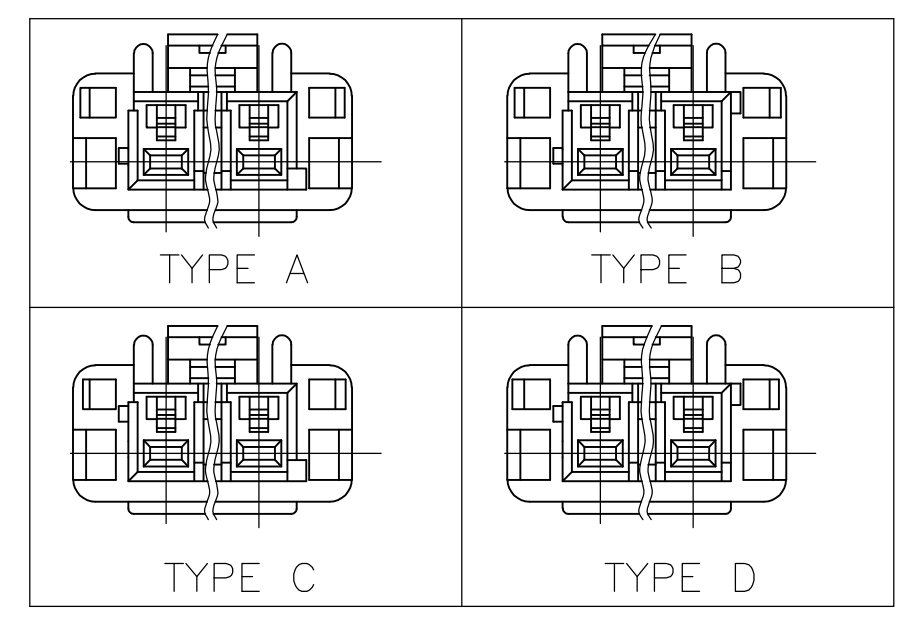


THIS DRAWING IS UNPUBLISHED. RELEASED FOR PUBLICATION
 © COPYRIGHT - By - ALL RIGHTS RESERVED.

REVISIONS				
P	LTR	DESCRIPTION	DATE	APVD
	D2	REVISED PER ECR-16-007444	30MAY2016	NK SC

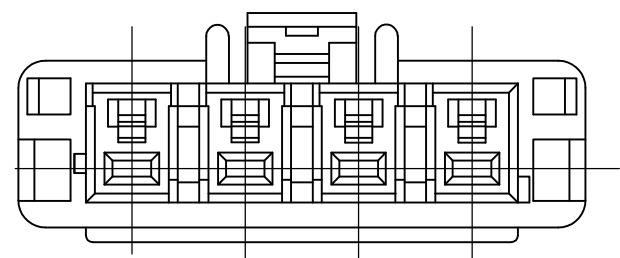


THE TYPE OF KEYING



HOSING	6 / 6 NYLON GRASS FILLED/ NYLON 6
NAME	MATERIAL

SECT A-A



4	6	25	35	1376397-1	3-1376385-4	TYPE D	YELLOW	6Pos	3-1376391-4
4	6	25	35	1376397-1	2-1376385-3	TYPE C	BLUE	6Pos	2-1376391-3
4	6	25	35	1376397-1	1-1376385-2	TYPE B	RED	6Pos	1-1376391-2
4	6	25	35	1376397-1	1376385-1	TYPE A	NATURAL	6Pos	1376391-1
3	4	15	25	1376396-1	1-1376384-5	TYPE B	RED	4Pos	1-1376390-5
3	4	15	25	1376396-1	1-1376384-6	TYPE A	NATURAL	4Pos	1376390-5
4	4	15	25	1376396-1	3-1376384-4	TYPE D	YELLOW	4Pos	3-1376390-4
4	4	15	25	1376396-1	2-1376384-3	TYPE C	BLUE	4Pos	2-1376390-3
4	4	15	25	1376396-1	1-1376384-2	TYPE B	RED	4Pos	1-1376390-2
4	4	15	25	1376396-1	1376384-1	TYPE A	NATURAL	4Pos	1376390-1
	N	M	L	APPLICABLE PLATE. P/N	MATING CONN. P/N	THE TYPE OF KEYING	Color	Pos	PART NO.

1 MATING CONN. P/N
 HEADER ASS'Y :SEE TABLE
 REC CONTACT ;1376347-1,1376348-1

2 PARTS COMPLY WITH GLOW WIRE
 REQUIREMENT FOR PARTS OF NON-METALLIC
 MATERIAL SUPPORTING A CURRENT-CARRYING
 CONNECTION DETAILED IN IEC 60335-1,
 SECTION 30 (GWT) .

- 3 NYLON 6, GWT, V-2.
- 4 NYLON 66, GWT, V-0.

THIS DRAWING IS A CONTROLLED DOCUMENT.		DWN A.OISHI 31AUG00	TE Connectivity 5.0 POWER KEY CONNECTOR 4P PLUG HOUSING	
DIMENSIONS: mm		CHK Y.KASHIWA 28AUG'00		
TOLERANCES UNLESS OTHERWISE SPECIFIED:		APVD Y.KASHIWA 28AUG'00	NAME	
0 PLC ± 0.2 1 PLC ± 0.2 2 PLC ± 0.2 3 PLC ± 4 PLC ANGLES ± 1°		PRODUCT SPEC 108-5699	SIZE	
MATERIAL SEE TABLE		FINISH SEE TABLE	CAGE CODE A300779	
		APPLICATION SPEC 104-5292	DRAWING NO C-1376390	
		WEIGHT	RESTRICTED TO	
		CUSTOMER DRAWING	SCALE 3:1 SHEET 1 OF 1 REV D2	