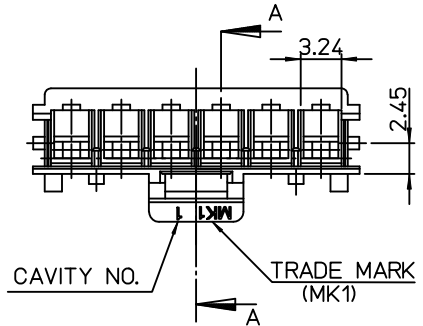
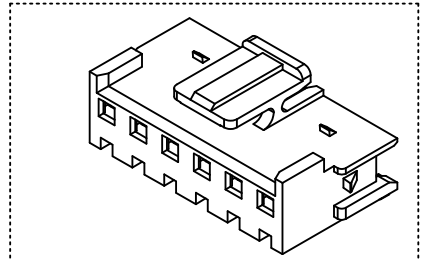


10 9 8 7 6 5 4 3 2 1

NOTES

1. MATERIAL : POLYAMIDE66,UL94V-0
2. FINISH : © WHITE COLOR
3. APPLICABLE TERMINAL : 35922-9002
4. USED WITH T.P.A : 49518 SERIES
5. MATED WITH HEADER ASS'Y : 35978 SERIES

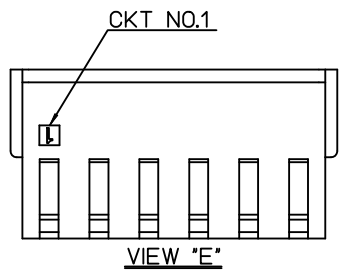
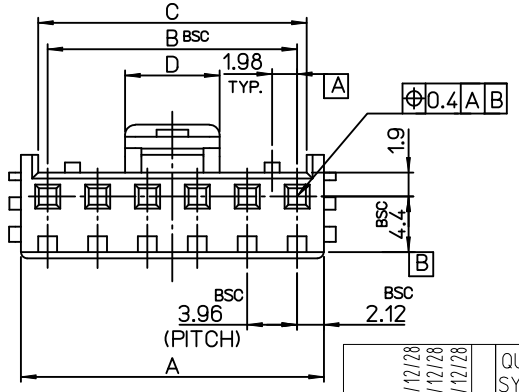
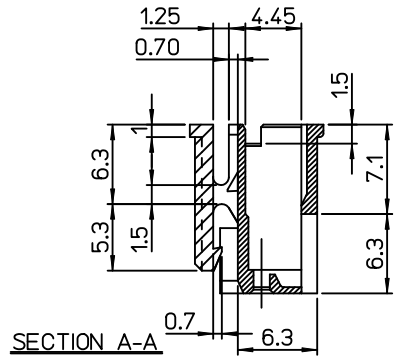
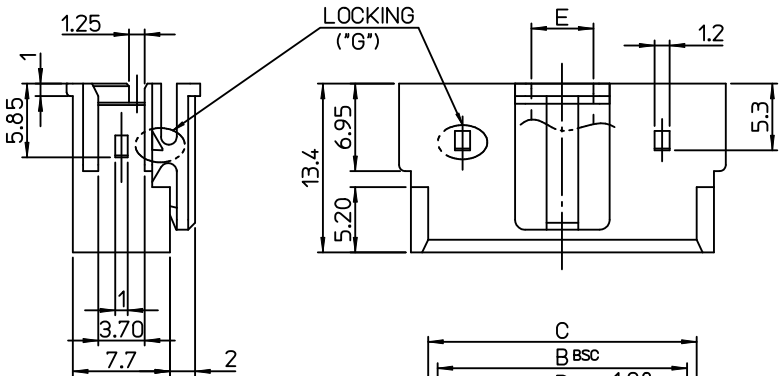


LEGEND

49517 - \*\* 0 \*

COLOR - 0 : NATURAL COLOR  
 2 : RED COLOR  
 3 : YELLOW COLOR  
 4 : BLUE COLOR

CIRCUIT SIZE



17.34	19.9	56.88	55.44	59.68	- 150*	15	LOCKING
		52.92	51.48	55.72	- 140*	14	
		48.96	47.52	51.76	- 130*	13	
		45.00	43.56	47.80	- 120*	12	
		41.04	39.60	43.84	- 110*	11	
		37.08	35.64	39.88	- 100*	10	
15.14	17.7	33.12	31.68	35.92	- 090*	9	WITHOUT LOCKING
13.14	15.7	29.16	27.72	31.96	- 080*	8	
8.31	10.87	25.20	23.76	28.0	- 070*	7	
4.94	7.5	21.24	19.80	24.04	- 060*	6	
		17.28	15.84	19.82	- 050*	5	
		13.32	11.88	15.86	- 040*	4	
		9.36	7.92	11.90	- 030*	3	
0.94	3.5	5.4	3.96	7.94	49517- 020*	2	
E	D	C	B	A	MATERIAL NO.	CKT'	TYPE'G'

REVISED EC NO: KOR2011-0061 DRWN: JHPARK01 2010/12/28 CHKD: SHCHU 2010/12/28 APPR: YUNSIKKIM 2010/12/28	QUALITY SYMBOLS	GENERAL TOLERANCES (UNLESS SPECIFIED)	DIMENSION STYLE	SCALE	DESIGN UNITS	THIRD ANGLE PROJECTION
	▼=0 ◻=0	mm INCH 4 PLACES ± --- ± --- 3 PLACES ± --- ± --- 2 PLACES ± 0.25 ± --- 1 PLACE ± 0.25 ± --- ANGULAR ± 1 °	MM ONLY	1:1	METRIC	
	DESCRIPTION	DRAWN BY	DATE	TITLE	3.96 W-T-B CONN. HOUSING (TPA TYPE)	
		JB. JIN	2005/02/18		MOLEX INCORPORATED	
	CHECKED BY	DATE		SD-49517-001		
	MY. YANG	2005/02/18		SHEET NO. 1 OF 01		
	APPROVED BY	DATE				
	CW. LEE	2005/02/18				
	MATERIAL NO.		SEE TABLE			
			THIS DRAWING CONTAINS INFORMATION THAT IS PROPRIETARY TO MOLEX INCORPORATED AND SHOULD NOT BE USED WITHOUT WRITTEN PERMISSION			

9 8 7 6 5 4 3 2 1