



PRODUCT DATASHEET

Leila series

last update 10/4/2014

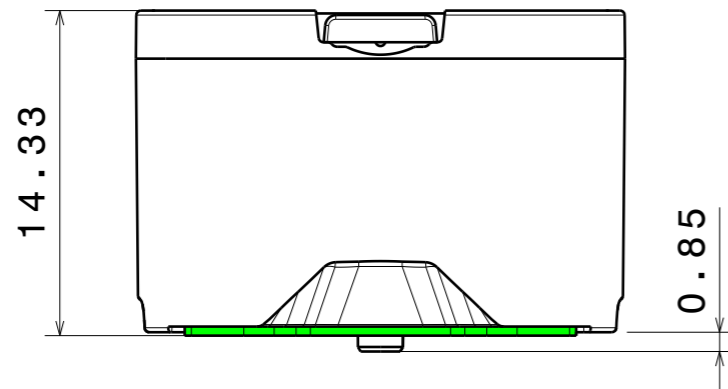
DETAILS

Product Number	CP11633_LXP3-M
Family	Leila
Type	Assembly
Color	white
Diameter	21,6 mm
Height	14,7 mm
Style	round
Optic Material	PMMA
Holder Material	
Fastening	glue
Status	production ready
ROHS Compliant	Yes
Date Updated	10/04/2014

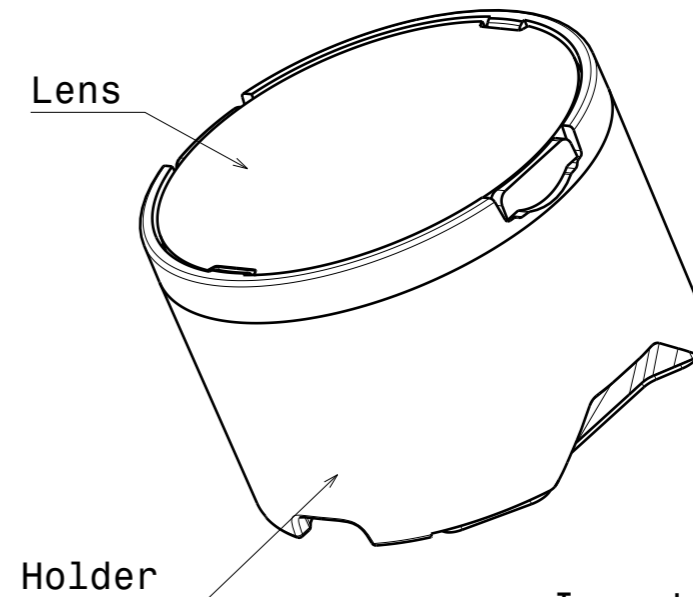


OPTICAL PROPERTIES

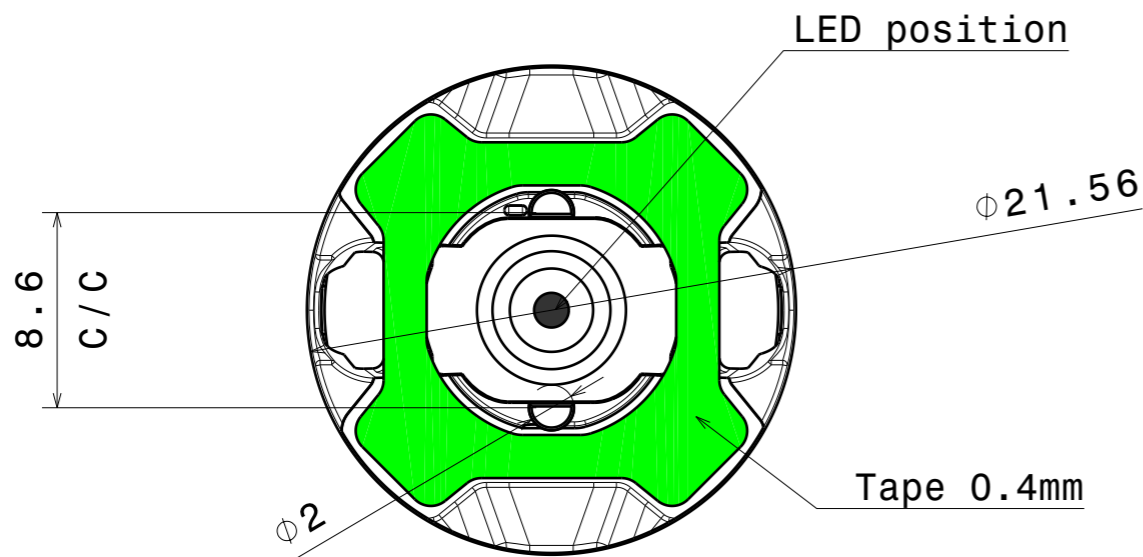
LED	Viewing	Light	Effi-	cd/lm	Connector
	Angle	Beam	ciency		
XP-G	24 deg	Medium	94 %	-	-
XP-E	24 deg	Medium	94 %	-	-
XP-L HI	25 deg	Medium	91 %	4.500	-
Z5	24 deg	Medium	91 %	-	-



Front view
Scale: 3:1



Isometric view
Scale: 3:1



Bottom view
Scale: 3:1

INDEX	PART NO	MATERIAL
1	Lens	PMMA
2	Holder	PC

Tolerances if not otherwise shown
According to DIN ISO 2768-1
Linear measures:
Up to 30mm class M, otherwise class C.
According to DIN ISO 2768-2
Form and position: class L

LEDiL LediL Oy
Salorankatu 10
FIN 24240 SALO
Finland

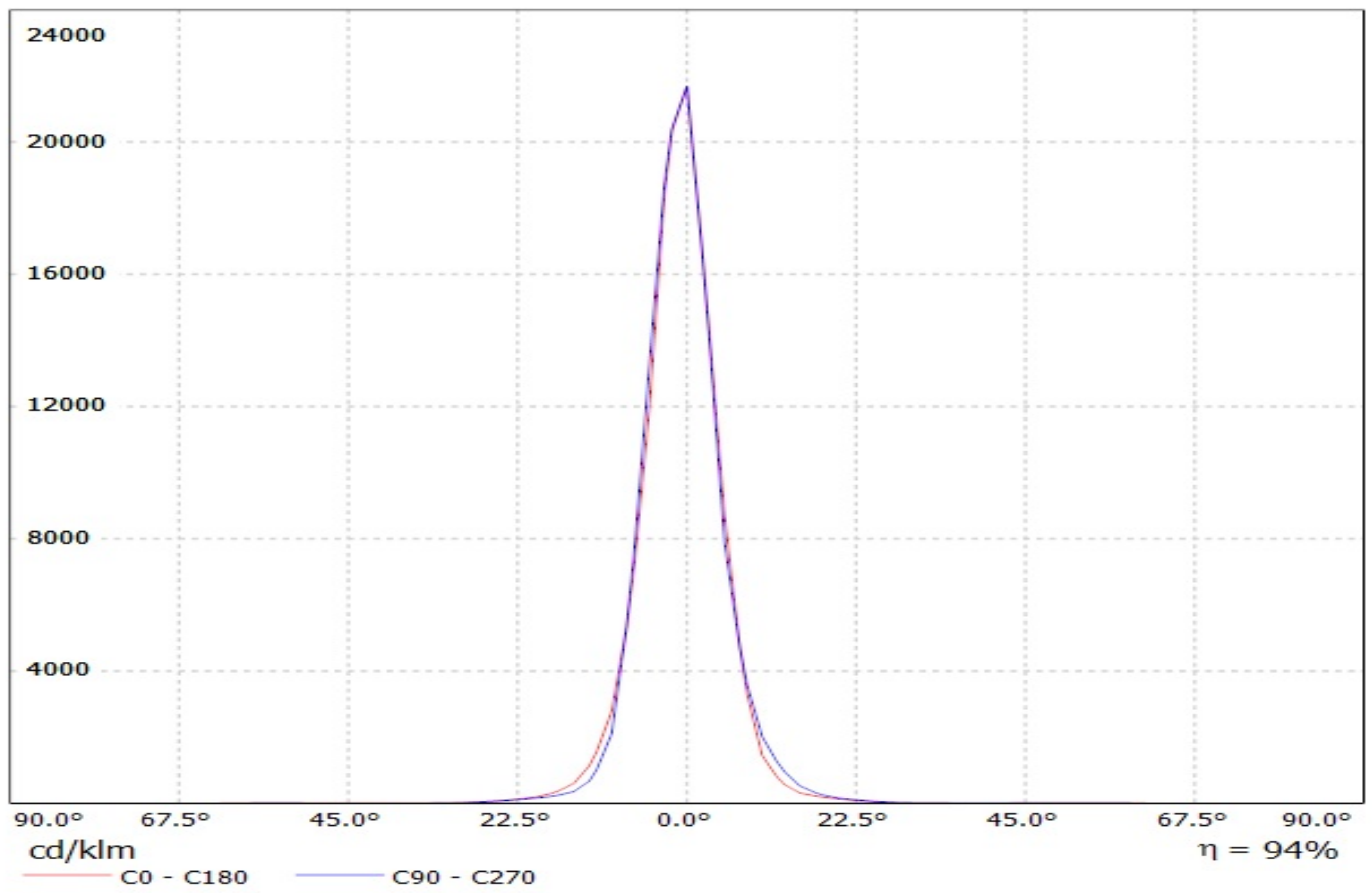
THIRD ANGLE PROJECTION:

DRAWING TITLE
Datasheet_LR2-Rebel_Series

This drawing is the property
of LEDiL Oy. It may not be
reproduced, copied or
communicated without a written
agreement with LEDiL Oy.

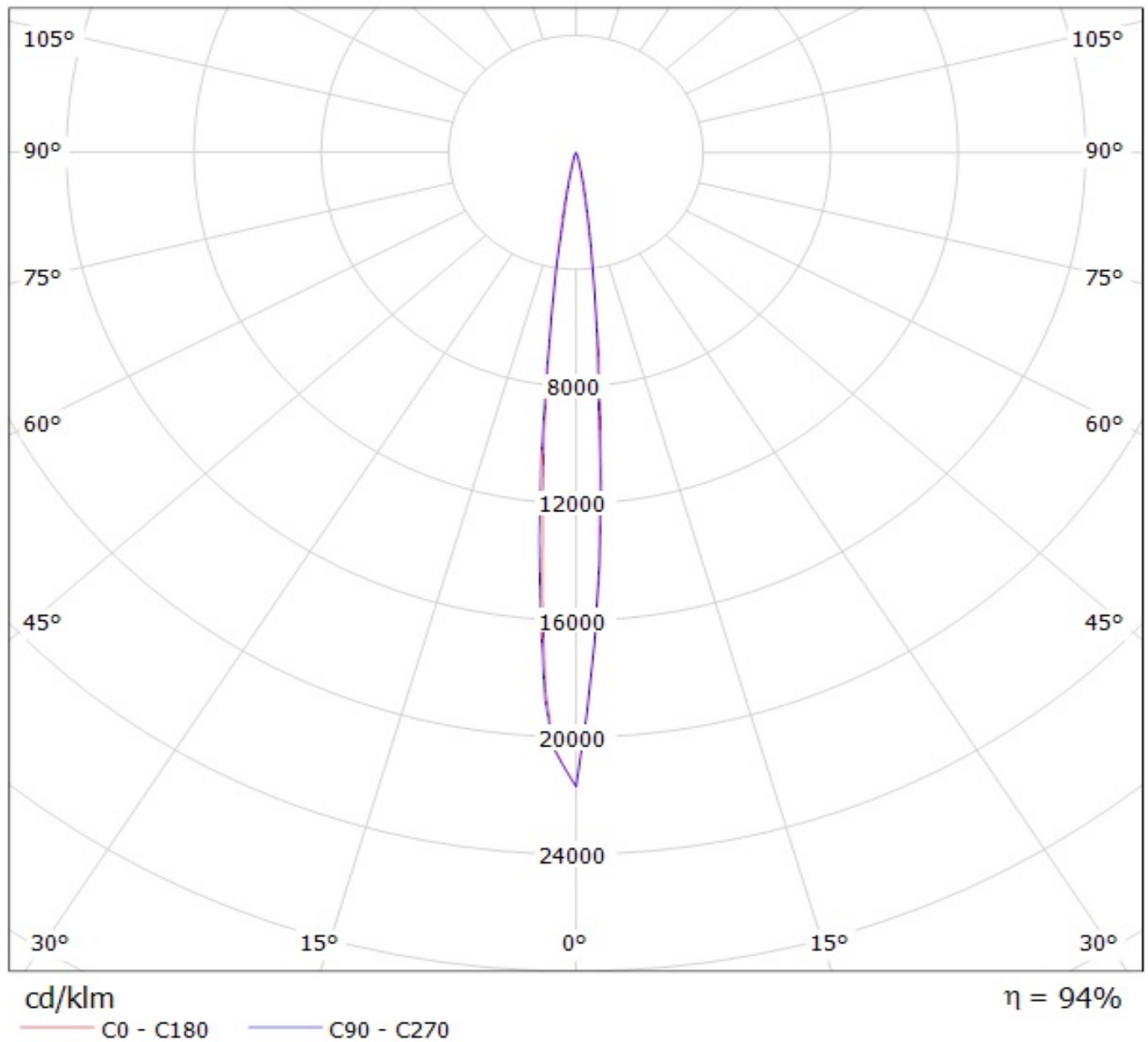
SIZE	PART NUMBER
A3	-
SCALE	3:1
WEIGHT	-
SHEET	1/1

Luminaire: LEDil Oy CA12262_LR2-RS_(NCSxx19B) Efficiency=90%
Lamps: 1 x Nichia NCSxx19B (NCSL119BE) 90.5lm @ 250mA CCT=3300K P=0.8W I=250mA



Luminaire: LEDil Oy CA12262_LR2-RS_(NCSxx19B) Efficiency=90%

Lamps: 1 x Nichia NCSxx19B (NCSL119BE) 90.5lm @ 250mA CCT=3300K P=0.8W I=250mA



NOTE: The typical divergence will be changed by different color, chip size and chip position tolerance. The typical total divergence is the full angle measured where the luminous intensity is half of the peak value.