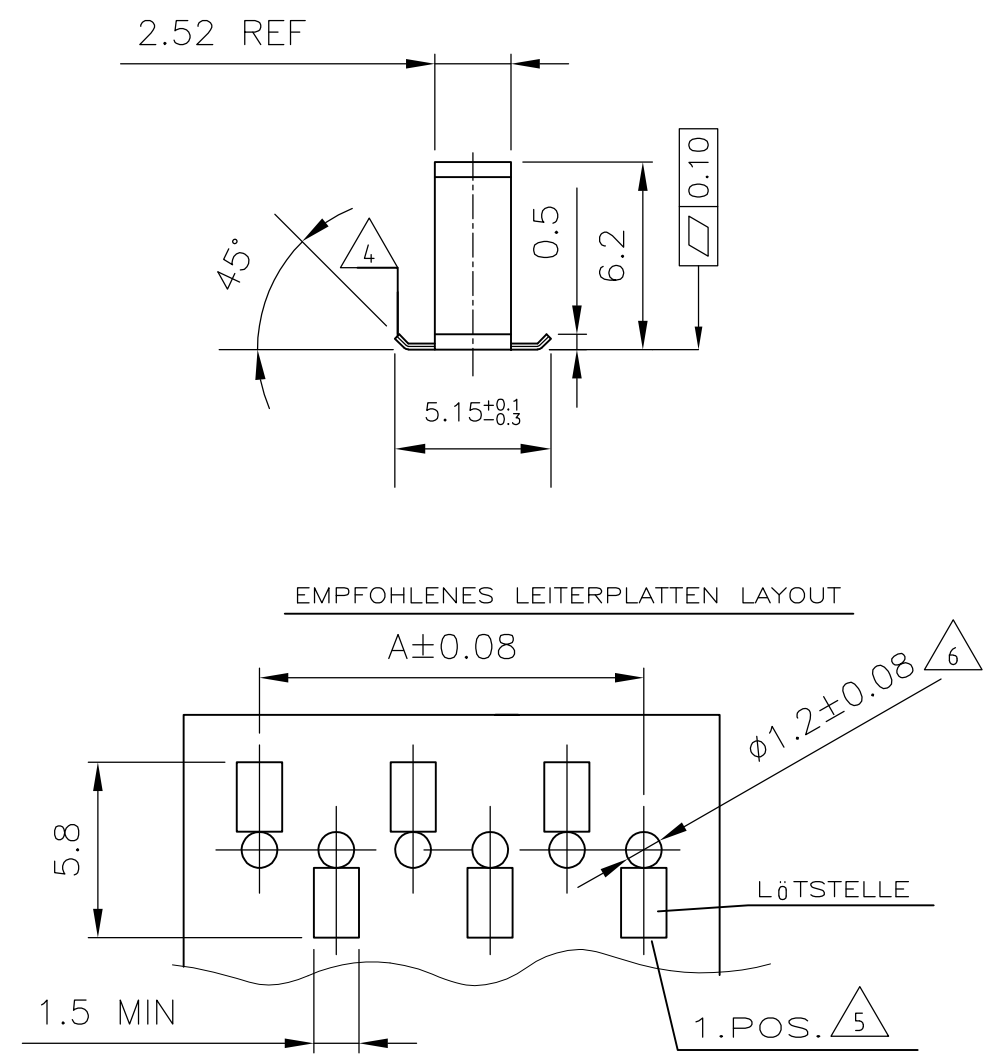
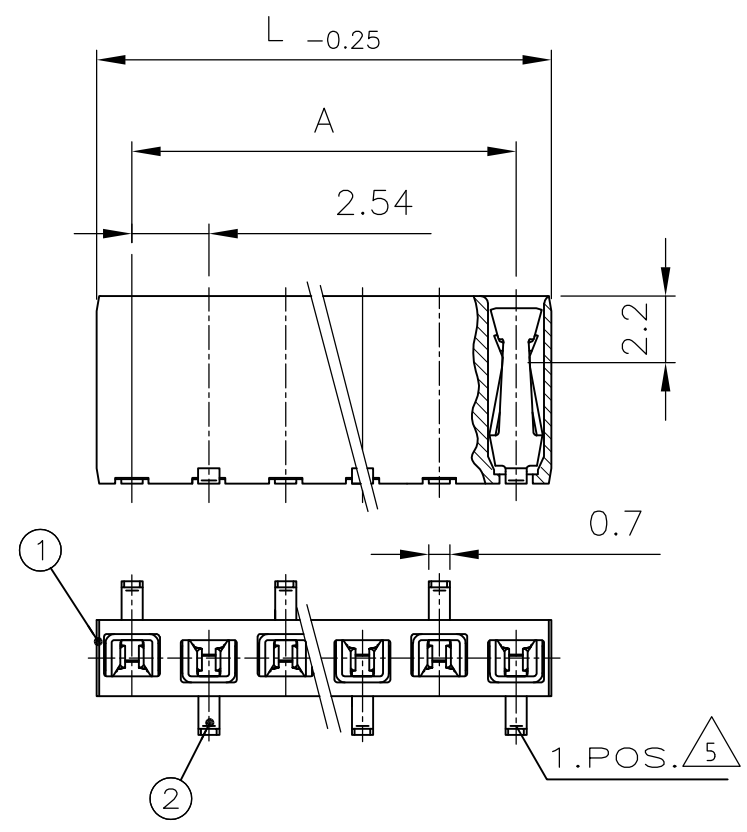


THIS DRAWING IS UNPUBLISHED  
 RELEASED FOR PUBLICATION AUG , 1998.  
 © COPYRIGHT 2010 By - ALL RIGHTS RESERVED.

LOC	DIST	REVISIONS					
		P	LTR	DESCRIPTION	DATE	DWN	APVD
IR	-		S	CONTACT BEND ANGLE CHANGED TO 45°	26NOV2012	KJK	RP

Polz.	L <sub>-0.25</sub>	A	PN
-	-	-	-
-	-	-	-
3	7.88	5.08	966736-3
4	10.42	7.62	966736-4
5	12.96	10.16	966736-5
6	15.50	12.7	966736-6
7	18.04	15.24	966736-7
8	20.58	17.78	966736-8
9	23.12	20.32	966736-9
10	25.66	22.86	1-966736-0
11	28.20	25.4	1-966736-1
12	30.74	27.94	1-966736-2



1 EDGE CONTACT  
KONTAKTPUNKT

2 CONTACT RANGE: 0.8µm GOLD OVER 1.3µm Ni  
 SOLDERING RANGE: 2.5µm TIN OVER 1.3µm Ni  
 KONTAKTBEREICH: 0.8µm GOLD ÜBER 1.3µm Ni  
 LÖTBEREICH: 2.5µm ZINN ÜBER 1.3µm Ni

3 CAN BE PLUGGED IN WITH MODU II PINS Ø0.63 OR □0.63  
 TOP OR BOTTOM ENTRY.  
 STECKBAR MIT MODU II STIFTEN Ø0.63 ODER □0.63  
 TOP ODER BOTTOM ENTRY.

4 PLANE OF SECTION BLANK  
 SCHNITTFLÄCHE BLANK

5 SITUATION OF THE FIRST CONTACT ATTENTION.  
 LAGE DES 1. KONTAKTS BEACHTEN

6 ONLY WITH THE BOTTOM ENTRY  
 NUR BEI BOTTOM ENTRY

ORDER-NR	POS.	STÜCK / PIECE	BENENNUNG EINZELTEIL PART DESCRIPTION	WERKSTOFF MATERIAL	OBERFLÄCHE / FARBE SURFACE / COLOR	SI No
S.TABELLE SEE TABLE	2	-	HV 100 KONTAKT / HV 100 CONTACT	Cu Sn	2	2
	1	-	HV 100 GEHÄUSE / HV 100 HOUSING	LCP	SCHWARZ / BLACK	1

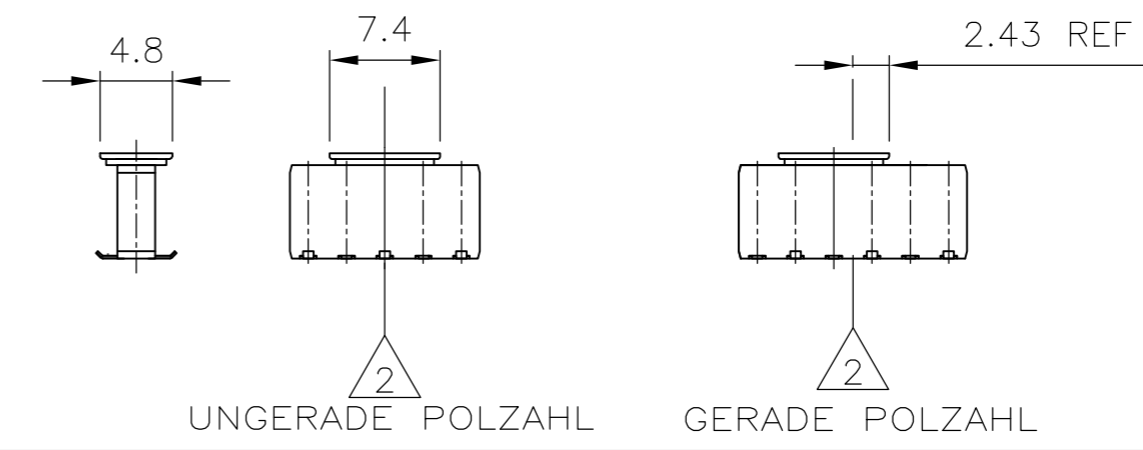
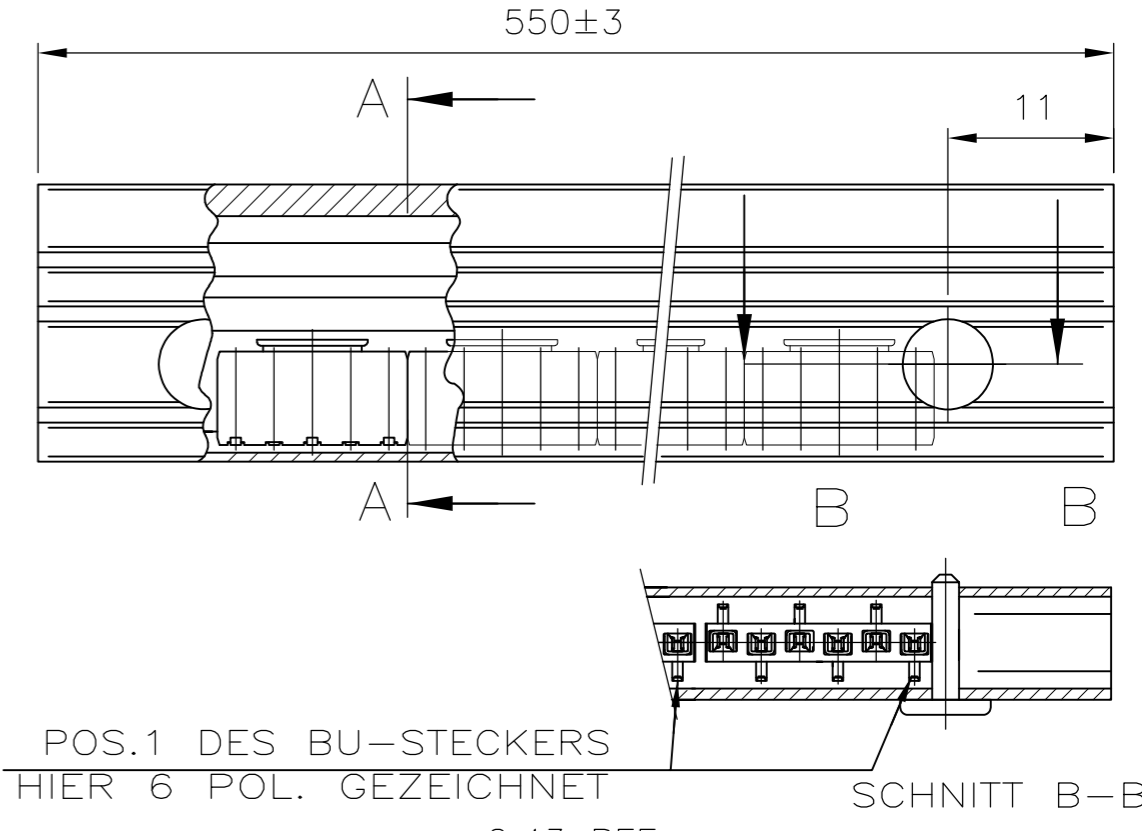
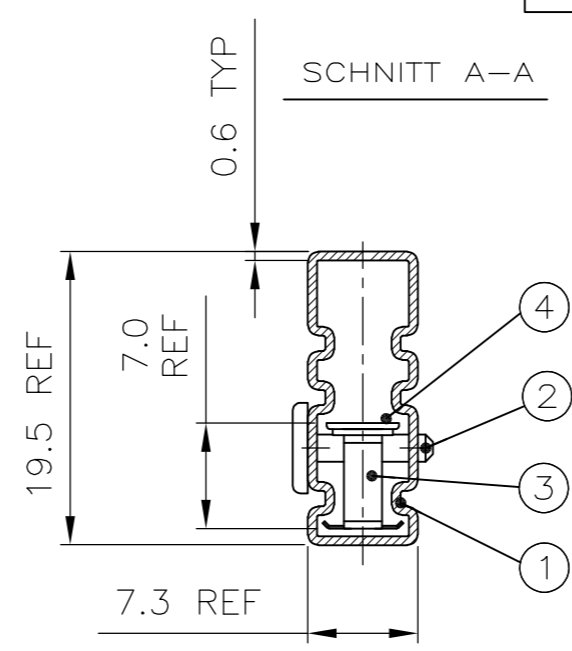
THIS DRAWING IS A CONTROLLED DOCUMENT.

DWN A.HO 06.02.95	TE Connectivity HV 100 BUCHSENSTECKER,SMD MIT VERPACKUNGSRÖHR,EINREIHIG				
CHK M.SCHAARSCHMIDT 06.02.95					
APVD -					
PRODUCT SPEC 108-19056					
MATERIAL SEE TABLE	FINISH SEE TABLE				
CUSTOMER DRAWING		SIZE A3	CAGE CODE 00779	DRAWING NO C-966657	RESTRICTED TO -
		SCALE 2:1	SHEET 1 OF 2	REV S	

THIS DRAWING IS UNPUBLISHED  
 RELEASED FOR PUBLICATION AUG , 1998.  
 © COPYRIGHT 2010 By - ALL RIGHTS RESERVED.

LOC	DIST	REVISIONS					
IR	-	P	LTR	DESCRIPTION	DATE	DWN	APVD
		-		SEE SHEET 1	-	-	-

- 1 HV 100 SOCKET PLUG, SMD SEE SHEET 1 OF 2  
HV100 BUCHSENSTECKER SMD SIEHE BLATT 1 VON 2
- 2 CENTER LINE OF SOCKET PLUG  
MITTELLINIE DES BUCHSENSTECKERS
- 3 SEE TABLE  
SIEHE TABELLE



P	P	P	P	P	P	P	R	R	R	REVISION OF EACH ASSY NO (WHEN BLANK, USE DWG REVISION)	
17	18	20	23	25	29	34	40	50	66	ADAPTER F. SAUGPIPETTE	4
17	-	-	-	-	-	-	-	-	-	12 POL. BUCHSENSTECKER 12 POS. SOCKET PLUG	3
-	18	-	-	-	-	-	-	-	-	11 POL. BUCHSENSTECKER 11 POS. SOCKET PLUG	3
-	-	20	-	-	-	-	-	-	-	10 POL. BUCHSENSTECKER 10 POS. SOCKET PLUG	3
-	-	-	23	-	-	-	-	-	-	9 POL. BUCHSENSTECKER 9 POS. SOCKET PLUG	3
-	-	-	-	25	-	-	-	-	-	8 POL. BUCHSENSTECKER 8 POS. SOCKET PLUG	3
-	-	-	-	-	29	-	-	-	-	7 POL. BUCHSENSTECKER 7 POS. SOCKET PLUG	3
-	-	-	-	-	-	34	-	-	-	6 POL. BUCHSENSTECKER 6 POS. SOCKET PLUG	3
-	-	-	-	-	-	-	40	-	-	5 POL. BUCHSENSTECKER 5 POS. SOCKET PLUG	3
-	-	-	-	-	-	-	-	50	-	4 POL. BUCHSENSTECKER 4 POS. SOCKET PLUG	3
-	-	-	-	-	-	-	-	-	66	3 POL. BUCHSENSTECKER 3 POS. SOCKET PLUG	3
2	2	2	2	2	2	2	2	2	2	VERSCHLUß-STIFT	2
1	1	1	1	1	1	1	1	1	1	VERPACKUNGSRÖHR PACKING PIPE	1
1--2	1--1	1--0	-9	-8	-7	-6	-5	-4	-3		

BESTELL-NR	POS.	STÜCK / PIECE	BENENNUNG EINZELTEIL PART DESCRIPTION	WERKSTOFF MATERIAL	OBERFLÄCHE / FARBE SURFACE / COLOR	SI No
	4	3	ADAPTER	PCT-GV	SCHWARZ / BLACK	4
S.TABELLE SEE TABLE	3	3	HV 100 BUCHSENST, SMD	1	1	3
	2	2	VERSCHL. STIFT / LOCKS PIN	PP	ROT	2
	1	1	VERPACKUNGSRÖHR / PACKING PIPE	ANTI-STATISCH	TRANSPAR.	1

THIS DRAWING IS A CONTROLLED DOCUMENT.

DIMENSIONS: mm	TOLERANCES UNLESS OTHERWISE SPECIFIED: TOL ± 0.2
	0 PLC ± 1 PLC ±- 2 PLC ±- 3 PLC ±- 4 PLC ±- ANGLES ±-
MATERIAL SEE TABLE	FINISH SEE TABLE

DWN A.HO 06.02.95  
 CHK M.SCHAARSCHMIDT 06.02.95  
 APVD -  
 PRODUCT SPEC 108-19056  
 APPLICATION SPEC -  
 WEIGHT -  
 CUSTOMER DRAWING

**STE** TE Connectivity  
 HV 100 BUCHSENSTECKER,SMD  
 MIT VERPACKUNGSRÖHR,EINREIHIG

SIZE A3 CAGE CODE 00779 DRAWING NO C-966657 RESTRICTED TO -  
 SCALE 2:1 SHEET 2 OF 2 REV S