

PRODUCT NUMBER
6170XX2C185515LF

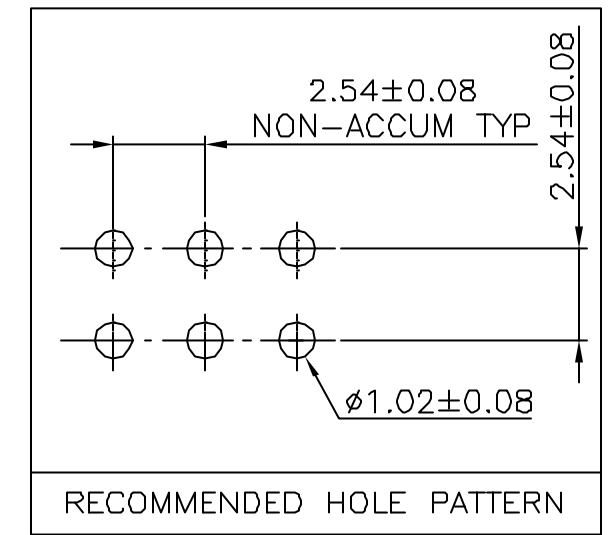
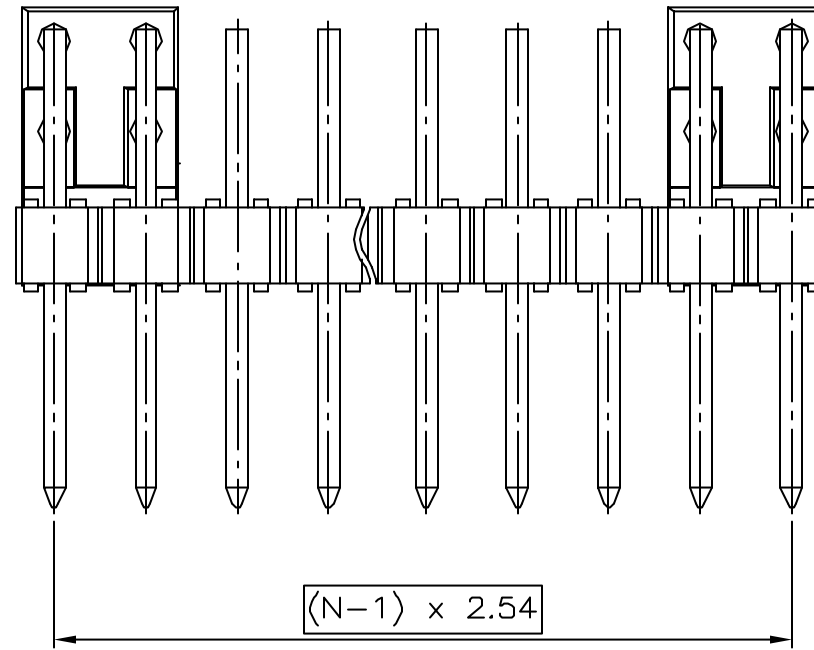
WHEN REQUIRED, ADD SUFFIX LETTER "LF"
INDICATES THE PRODUCT IS ROHS
COMPATIBLE, SEE NOTE 4

PLATING :

8 = 0.76µm GOLD ON CONTACT AREA
3.81µm TIN-LEAD ON TAIL
OVER 1.27µm MIN NICKEL IS

- WHEN "LF" IS REQUIRED, 2µm MATTE
TIN OVER 1.27µm MIN NICKEL IS
PROVIDED INSTEAD OF TIN-LEAD

NUMBER OF POS PER ROW
02 TO 26 POS



NOTES:

1. HOUSING MAT'L : HIGH TEMPERATURE THERMOPLASTIC. UL94V-0 COLOR: BLACK
2. PIN MATERIAL : PHOSPHOR BRONZE
3. PRODUCT PACKAGED IN BLIBOX.
4. 9N MIN RETENTION IN EITHER DIRECTION
5. TO DETERMINE DIMENSIONS :
N = NUMBER OF POSITIONS PER ROW
6. ROHS COMPATIBLE PRODUCT SPECIFICATIONS

a - PLATING:

- "LF" MEANS THE PRODUCT IS LEAD-FREE,
2µm MINIMUM MATTE TIN OVER 1.27µm
MINIMUM NICKEL UNDERPLATE.

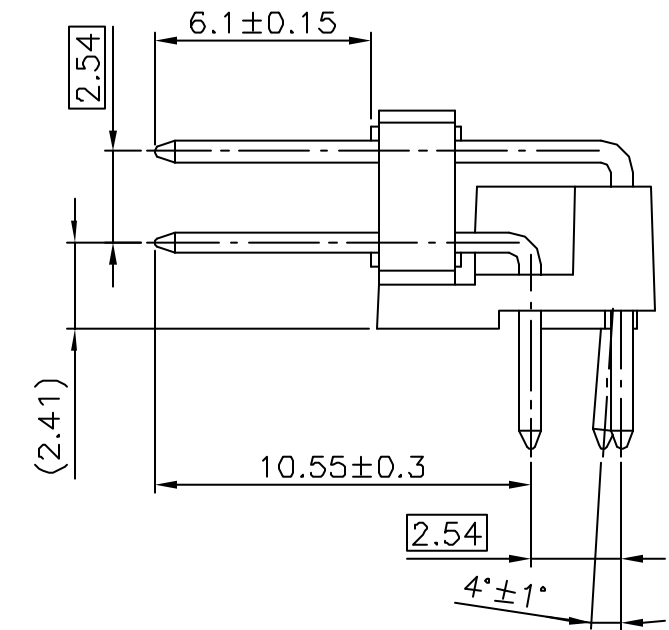
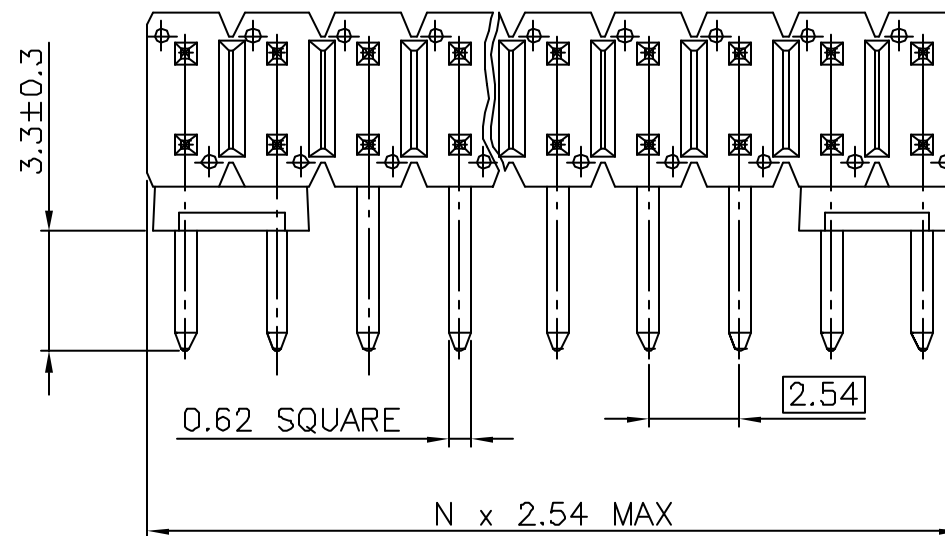
b - MANUFACTURING PROCESS COMPATIBILITY

- THE HOUSING WILL WITHSTAND EXPOSURE TO
260°C ±5°C SOLDER BATH TEMPERATURE FOR
5 SECONDS IN A WAVE SOLDER APPLICATION
WITH A 1.6mm MIN THICK CIRCUIT BOARD.

c - LABELING:

- MEETS PACKAGING SPECS AS PER GS-14-920

d - LEGAL STATEMENT: SEE GS-22-008

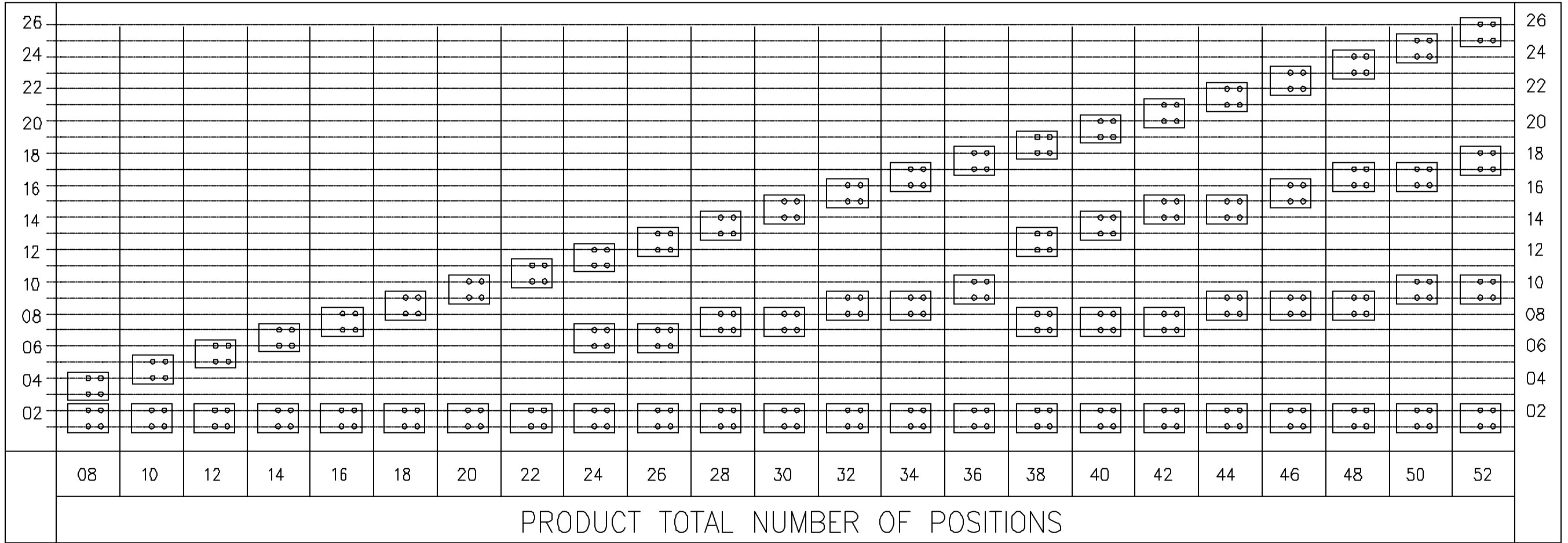


| | | | | | | | | | | | |
|--------------------|----------------|-----|----------|---------------------------------------|--|-------------------------------|--|------------------|--|-------------------------|--|
| mat'l. code | | | | surface ISO 1302 ✓ | | tolerance ISO 406 ISO 1101 | | projection mm | | product family BSTIK | |
| ltr ecn no dr date | | | | tolerances unless otherwise specified | | | | | | title | |
| B | F10522 | LMU | 01.09.17 | angles | | | | | | HEADER DR RA | |
| C | F05-040 | LMU | 05.11.24 | Linear | | | | | | SPECIAL SPACER STYLE | |
| D | F06-0207 | LMU | 06.07.27 | | | | | scale 1:5 | | dwg no | |
| | | | | dr | | L.MULIN | | 05.11.24 | | sheet 1 of 2 | |
| | | | | engr | | J.COMPAGNON | | 05.11.24 | | size | |
| | | | | chr | | | | | | 55394 | |
| | | | | appd | | JMC | | 05.11.24 | | type | |
| | | | | | | | | | | CUSTOMER Drawing | |
| sheet index | revision sheet | D | D | | | | | | | | |
| | | 1 | 2 | | | | | | | | |



Copyright FCI

SPACER LOCATION PER PRODUCT SIZE



Copyright FCJ

| | | | | | | | | | | | | | |
|-------------|--|--|--|-----------------------|--|-------------------------------|--|----------------|--|---------------------------------------|--|---|--|
| mat'l. code | | | | surface ISO 1302 ✓ | | tolerance ISO 406 ISO 1101 | | projection | | product family BSTIK | | | |
| ltr | | | | ecn no | | dr | | date | | tolerances unless otherwise specified | | title HEADER DR RA SPECIAL SPACER STYLE | |
| B | | | | F10522 | | LMU | | 01.09.17 | | angles Linear | | mm | |
| C | | | | F05-0401 | | LMU | | 05.11.24 | | scale 1:5 | | dwg no 55394 | |
| D | | | | F06-0207 | | LMU | | 06.07.27 | | | | sheet 2 of A3 | |
| sheet index | | | | revision sheet | | dr L.MULIN | | 05.11.24 | | engr J.COMPAGNON | | 05.11.24 | |
| | | | | | | chr | | | | appd JMC | | 05.11.24 | |
| | | | | | | | | | | | | type CUSTOMER Drawing | |