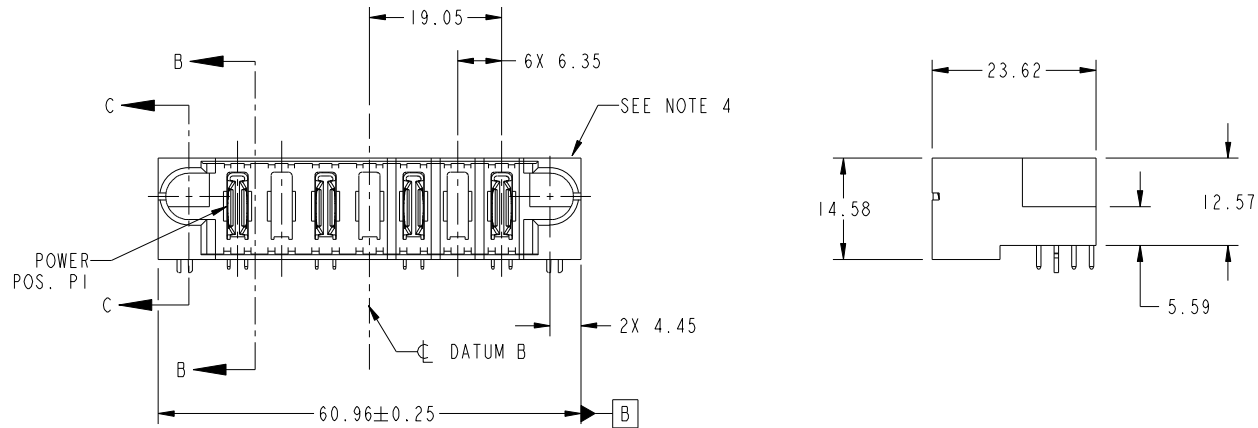


Tous droits strictement reserves. Reproduction ou communication a des tiers interdite sous quelque forme que ce soit sans autorisation écrite du propriétaire. Propriete de c FCI. Droits de reproduction FCI.



All rights strictly reserved. Reproduction or issue to third parties in any form whatever is not permitted without written authority from the proprietor. Property of FCI. Copyright FCI.

PRODUCT NO.	POWER							E2	
	E1	P1	P2	P3	P4	P5	P6		P7
51733-015... NOTE 3		PA	X	PA	X	PA	X	PA	



CODE	DIM "M" MATING LENGTH	CONTACT TYPE
PA	[N/A]	POWER
HA	[N/A]	HOLD-DOWN
X	[N/A]	[N/A]

mat'l code				SEE NOTE		tolerances unless otherwise specified		CUSTOMER		FCI	
ltr	ecn no.	dr	date	linear	0.X ± 0.5	projection		COPY		www.fciconnect.com	
A	DG11-0015	XQ	01/11/11	angles	0.XX ± 0.25	MIM		title		7 P	
				dr	0.XXX ± 0.1	1:1		RIGHT ANGLE SOLDER HEADER		product family	
				enr	0° ± 2°			PwrBlade		code	
				chr	XQ Wong 01/11/11			size		213	
				appd	Anson Liu 01/11/11			dwg no		sheet	
					PM Zheng 01/11/11			51733-015		1 of 4	
					Joseph Hsia 01/11/11			A			
sheet index	revision sheet	A	A	A	A						
		1	2	3	4						
								cage code		22526	

Pro/E

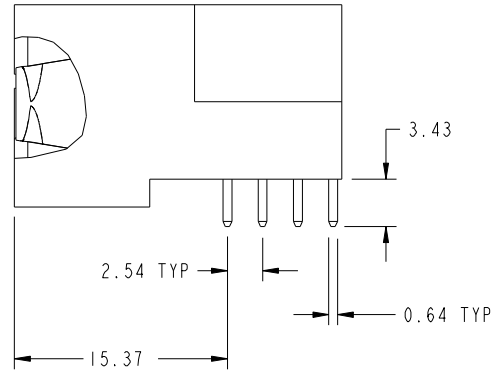
cage code 22526

Tous droits strictement reserves. Reproduction ou communication a des tiers interdite sous quelque forme que ce soit sans autorisation écrite du propriétaire. Propriete de c FCI. Droits de reproduction FCI.

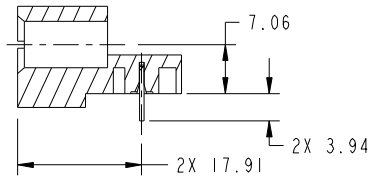


All rights strictly reserved. Reproduction or issue to third parties in any form whatever is not permitted without written authority from the proprietor. Property of FCI. Copyright FCI.

PRODUCT NUMBER
51733-015--
NOTE: 3



BROKEN-OUT SECTION B-B
SCALE 2:1



SECTION C-C

mat'l code		SEE NOTE		tolerances unless otherwise specified		CUSTOMER		FCI	
ltr	ecn no.	dr	date	linear	0.X ±0.5	COPY		www.fciconnect.com	
A					0.XX ±0.25	projection		title	
				angles	0.XXX ±0.1			7 P RIGHT ANGLE SOLDER HEADER	
				dr	0° ±2°			product family	
				enr	X0 Wang 01/11/11	scale		PwrBlade	
				chr	Anson Liu 01/11/11	1:1		code	
				appd	PM Zheng 01/11/11	A		213	
					Joseph Hsia 01/11/11			sheet	
sheet index	revision sheet							2 of 4	

cage code 22526

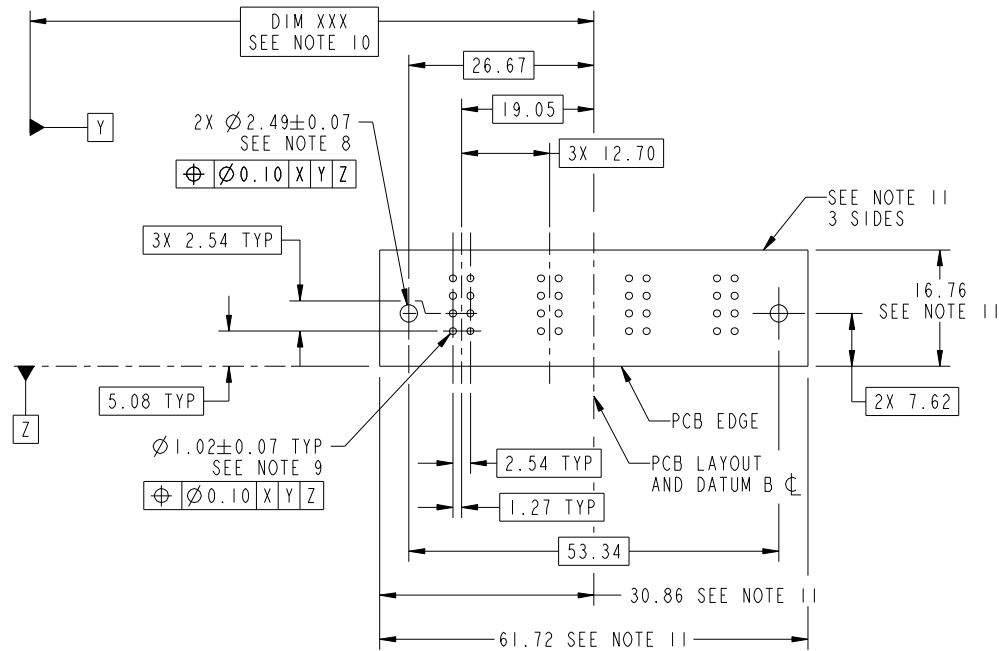
Pro/E

Tous droits strictement reserves. Reproduction ou communication a des tiers interdite sous quelque forme que ce soit sans autorisation écrite du propriétaire. Propriete de c FCI. Droits de reproduction FCI.



All rights strictly reserved. Reproduction or issue to third parties in any form whatever is not permitted without written authority from the proprietor. Property of FCI. Copyright FCI.

PRODUCT NUMBER
51733-015-
NOTE: 3



RECOMMENDED PCB LAYOUT

mat'l code		SEE NOTE		tolerances unless otherwise specified		CUSTOMER		FCI	
ltr	ecn no.	dr	date	linear	0.X ±0.5	COPY		www.fciconnect.com	
A					0.XX ±0.25	projection		title 7 P	
				angles	0.XXX ±0.1			RIGHT ANGLE SOLDER HEADER	
				dr	0° ±2°			product family PwrBlade code 213	
				enr	X0 Wang 01/11/11			size dwg no 51733-015 sheet 3 of 4	
				chr	Anson Liu 01/11/11	scale 1:1			
				appd	PM Zheng 01/11/11				
					Joseph Hsia 01/11/11				
sheet index	revision sheet								

cage code 22526

Pro/E

Tous droits strictement reserves. Reproduction ou communication a des tiers interdite sous quelque forme que ce soit sans autorisation écrite du propriétaire. Propriete de c FCI. Droits de reproduction FCI.



All rights strictly reserved. Reproduction or issue to third parties in any form whatever is not permitted without written authority from the proprietor. Property of FCI. Copyright FCI.

PRODUCT NUMBER
51733-015--
NOTE: 3

NOTES:

1. DIMENSIONS AND TOLERANCES ARE IN ACCORDANCE WITH ASME Y14.5M, 1994 UNLESS OTHERWISE SPECIFIED.

CONNECTOR NOTES:

- 2. HOUSING MATERIAL: UL 94 V-0 GLASS FILLED HIGH-TEMP THERMOPLASTIC
POWER CONTACT MATERIAL: COPPER ALLOY
SIGNAL PIN MATERIAL: COPPER ALLOY
- 3. SEE ITEM 1 & 2 IN PRINT 10064183 FOR PLATING SPEC OF 51733-015 AND 51733-015LF RESPECTIVELY.
- 4. MANUFACTURER'S NAME, DATE CODE AND OPTIONAL P/N TO APPEAR ON THIS SURFACE. THE P/N CAN BE OMITTED IF THERE IS NOT ENOUGH SPACE ON THIS SURFACE.
- 5. PRODUCT SPECIFICATION GS-12-149.
APPLICATION SPECIFICATION BUS-20-067.
- 6. PACKAGED IN TRAYS.

PCB NOTES:

- 7. ALL HOLE DIAMETERS ARE FINISHED HOLE SIZE.
- 8. MOUNTING HOLES, WHERE APPLICABLE, ARE UNPLATED.
- 9. $\varnothing 1.151 \pm 0.025$ DRILLED HOLES PLATED WITH
0.008 MIN SnPb OR Sn OVER 0.03
TO 0.08 Cu PLATING TO ACHIEVE
 $\varnothing 1.02 \pm 0.07$ HOLE.
- 10. "DIM XXX" TO BE DETERMINED BY THE CUSTOMER.
- 11. CONNECTOR KEEP-OUT ZONE.

mat'l code		SEE NOTE		tolerances unless otherwise specified		CUSTOMER		FCI	
ltr	ecr no.	dr	date	linear	0.X ± 0.5	COPY		www.fciconnect.com	
A				linear	0.XX ± 0.25	projection	title 7 P		
				angles	0.XXX ± 0.1		RIGHT ANGLE SOLDER HEADER		
				dr	0° ± 2°	MIM		product family	PwrBlade
				enr	X0 Wong 01/11/11	scale	size	PwrBlade	code
				chr	Anson Liu 01/11/11	1:1	dwg no	213	
				appd	PM Zheng 01/11/11		A	51733-015	sheet
					Joseph Hsia 01/11/11			4 of 4	
sheet index	revision sheet								

cage code 22526

Pro/E