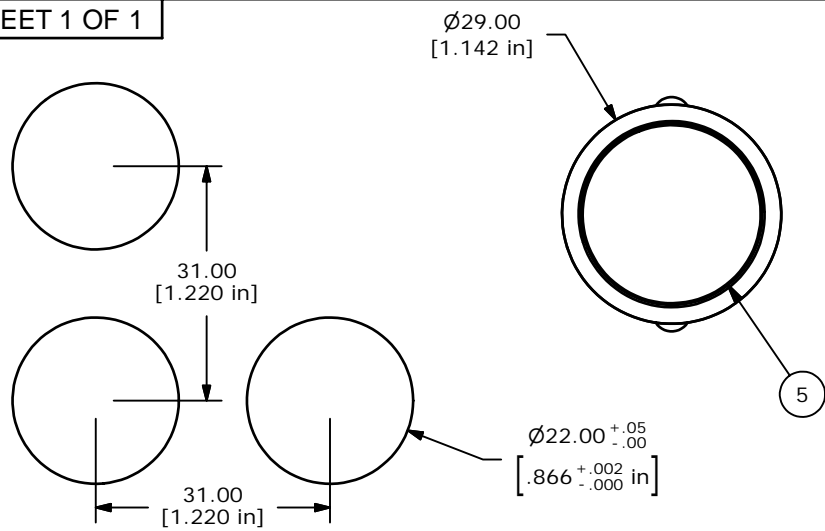
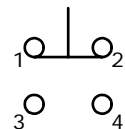


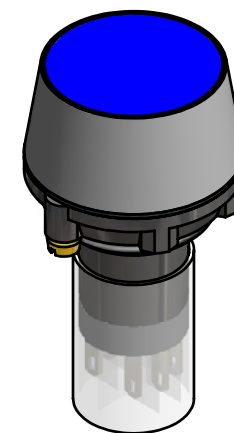
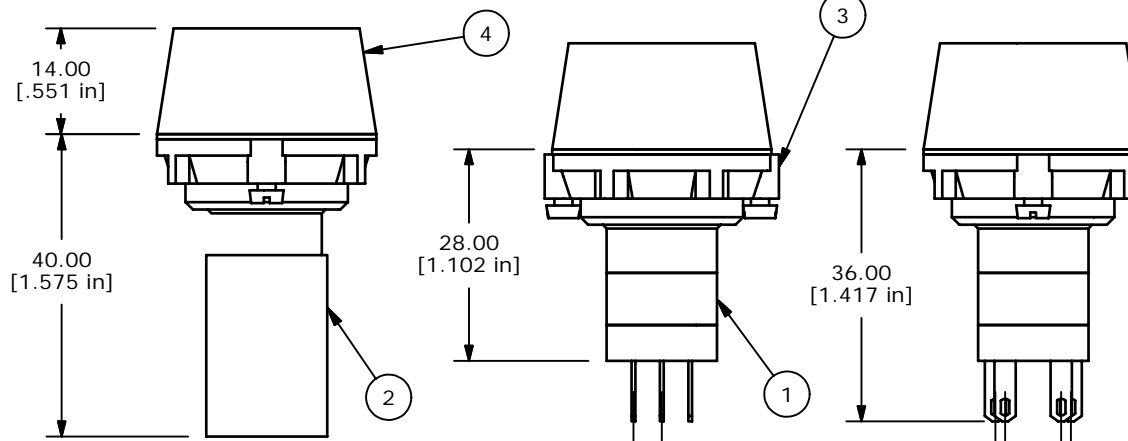
ITEM	QTY	PART NUMBER	DESCRIPTION
1	1	F060622	LAKOAU110
2	1	F051601	P16 PLASTIC TERM. PROTECTOR
3	1	F060250	29MM LA U1 NUT
4	1	F051701	29MM RING FOR LA SERIES
5	1	F060211	29MM BLU LENS



RECOMMEND PANEL MOUNTING

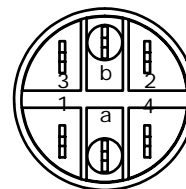


SPST  
CONTACT CONFIGURATION



ISOMETRIC

- NOTES:
- ALL DIMENSIONS IN MM [INCH].
  - GENERAL TOLERANCE: 0.0±0.4  
0.00±0.25
  - TERM. NOS. FOR REF. ONLY.
  - RATING: 5A @250VAC  
8A @125VAC  
.2A @250VDC  
6A @24VDC
  - ELECTRIC LIFE: 25,000 MAKE-OR-BREAK CYCLES AT FULL LOAD.
  - INSULATION: 1,000 MΩ MIN.
  - DIELECTRIC STRENGTH: 2000V
  - OPERATING TEMP: -25°C TO 70°C
  - LENS COLOR: BLUE



**E-SWITCH®**

TITLE LAKOAU110BLU

A	15265	RELEASED FOR PRODUCTION	9/12/05	PH
REV	PCR NO	DESCRIPTION	DATE	BY

SCALE	DATE	DR	DWG	REV
1:1	9/12/2005	PH	XF0643P	A

THE INFORMATION CONTAINED IN THIS DOCUMENT IS PROPRIETARY TO E-SWITCH AND IS NOT TO BE COPIED OR TRANSFERRED