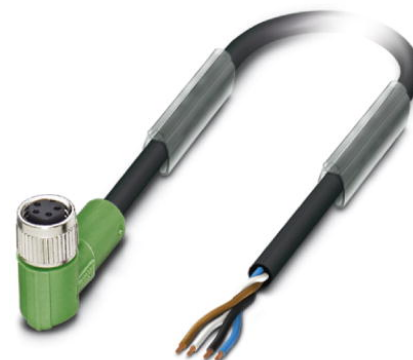


SAC-4P-10,0-500/M 8FR VA

Order No.: 1564626


As shown in the figure, but with gray wire and high-grade steel knurl



<http://eshop.phoenixcontact.de/phoenix/treeViewClick.do?UID=1564626>

Sensor/Actuator cable, 3-position, PVC, Gray RAL 7001, Free conductor end, on Socket, angled M8, Cable length: 10 m

Commercial data

GTIN (EAN)	 4 046356 308731
Note	Made-to-order
sales group	D131
Pack	5 pcs.
Customs tariff	85444290

Product notes

WEEE/RoHS-compliant since:
08/16/2007



<http://www.download.phoenixcontact.com>
Please note that the data given here has been taken from the online catalog. For comprehensive information and data, please refer to the user documentation. The General Terms and Conditions of Use apply to Internet downloads.

Technical data

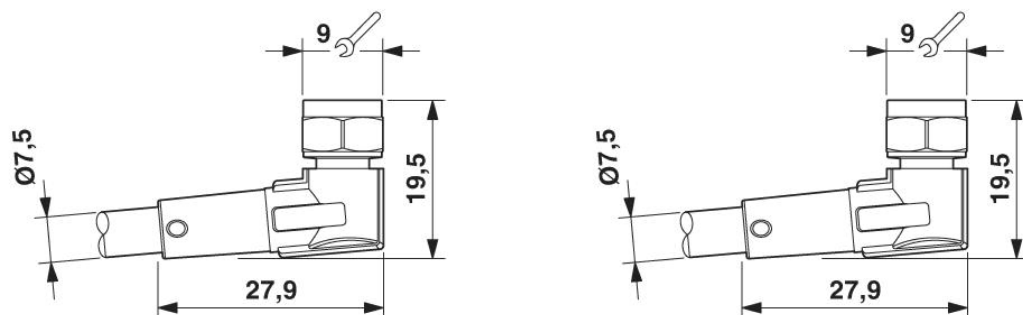
General data

Rated current at 40°C	4 A
Rated voltage	250 V
Number of positions	3
Volume resistance	≤ 5 mΩ
Insulation resistance	≥ 100 MΩ

Length of cable	10 m
Stripping length of the free conductor end	50 mm
General characteristics	
Coding	A - standard
Surge voltage category	II
Pollution degree	3
Degree of protection	IP65/IP68/IP69K
Contact material	CuSn
Contact surface material	Ni/Au
Contact carrier material	TPU GF
Material of grip body	TPU, hardly inflammable, self-extinguishing
Material, knurls	High-grade steel
Sealing material	NBR
Status display	No
Conductor data	
Cable type	PVC gray
Cable abbreviation	LiYY
Conductor cross section	0.34 mm ²
AWG signal line	22
Conductor structure signal line	42x 0.10 mm
Core diameter including insulation	1.45 mm ±0.02 mm
Thickness, insulation	≥ 0.23 mm (Core insulation)
	≥ 0.76 mm (Outer cable sheath)
External cable diameter	5.20 mm
Wire colors	Brown, white, blue, black
External sheath, color	Gray RAL 7001
Insulation resistance	≥ 1 GΩ*km
Conductor resistance	≤ 58 Ω/km
Nominal voltage, conductor	300 V
Test voltage, conductor	3000 V
Overall twist	4 wires, twisted
Outer sheath, material	PVC
Material conductor insulation	PVC
Conductor material	Bare Cu litz wires
Cable weight	42 kg/km

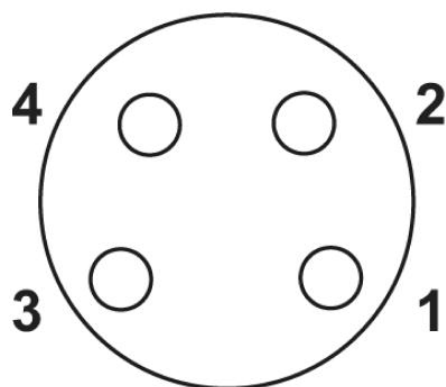
Diagrams/Drawings

Dimensioned drawing



Socket M8 x 1, angled

Schematic diagram



Pin assignment M8 socket, 4-pos., view female side

Address

PHOENIX CONTACT Deutschland GmbH
Flachmarktstr. 8
32825 Blomberg, Germany
Phone +49 5235 3 12000
Fax +49 5235 3 41200
<http://www.phoenixcontact.de>



© 2011 Phoenix Contact
Technical modifications reserved;