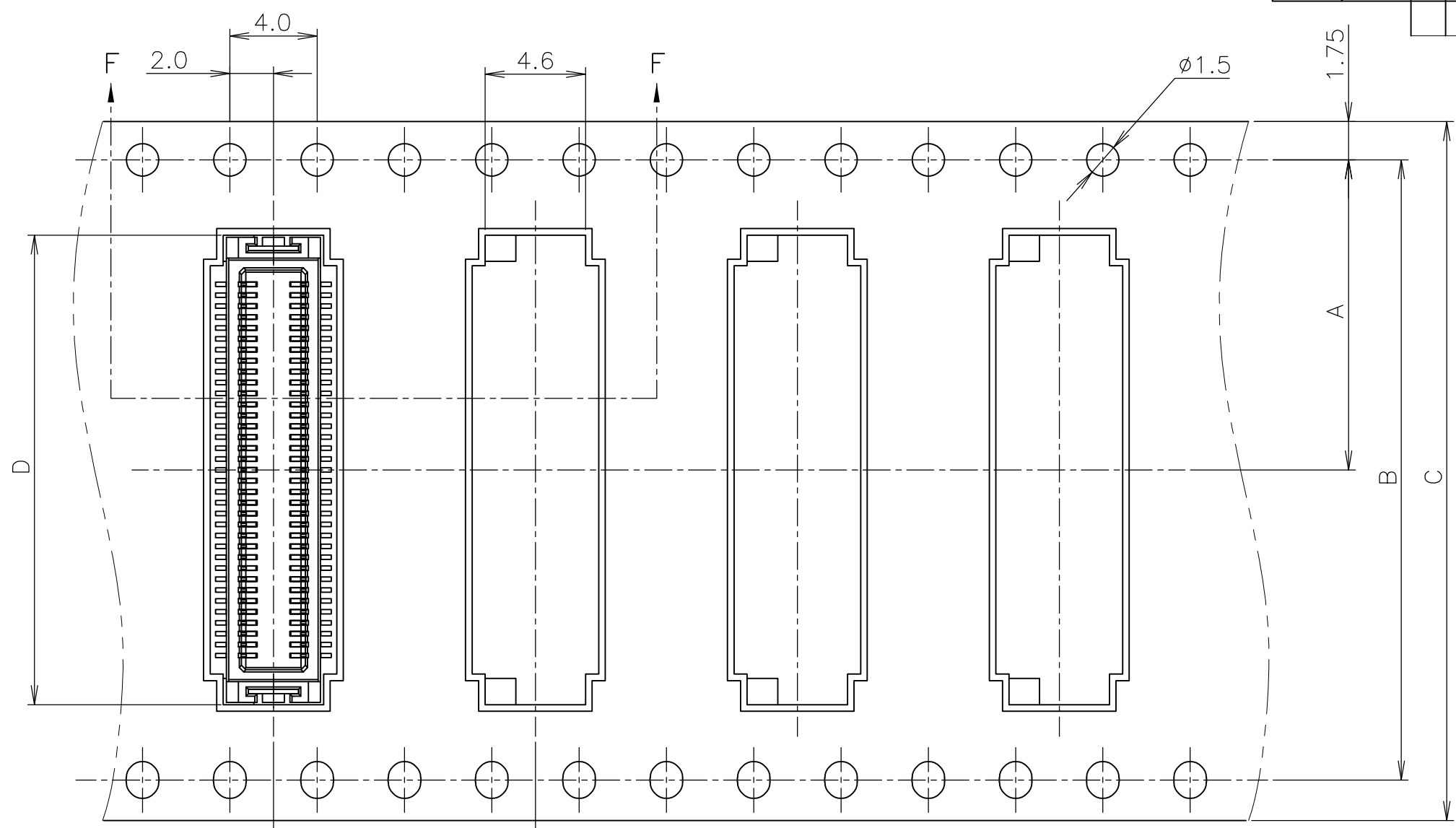


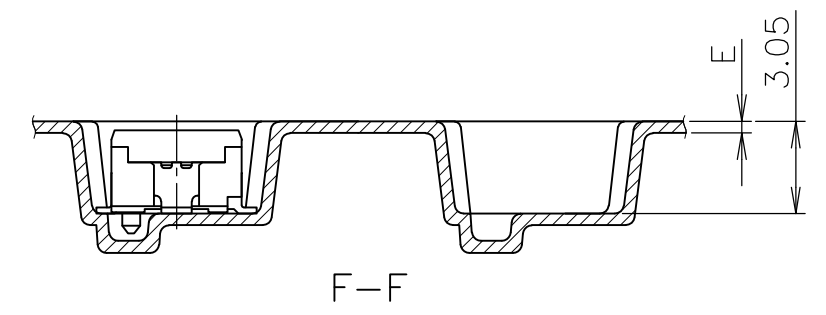
THIS DRAWING IS UNPUBLISHED. RELEASED FOR PUBLICATION APR, 2004.
 © COPYRIGHT 2004 By - ALL RIGHTS RESERVED.

LOC	DIST	REVISIONS 変更					
J		P	LTR	DESCRIPTION	DATE	DWN	APVD
		B	REVISED	ECR-13-001693	27MAR2013	I.T	S.Y

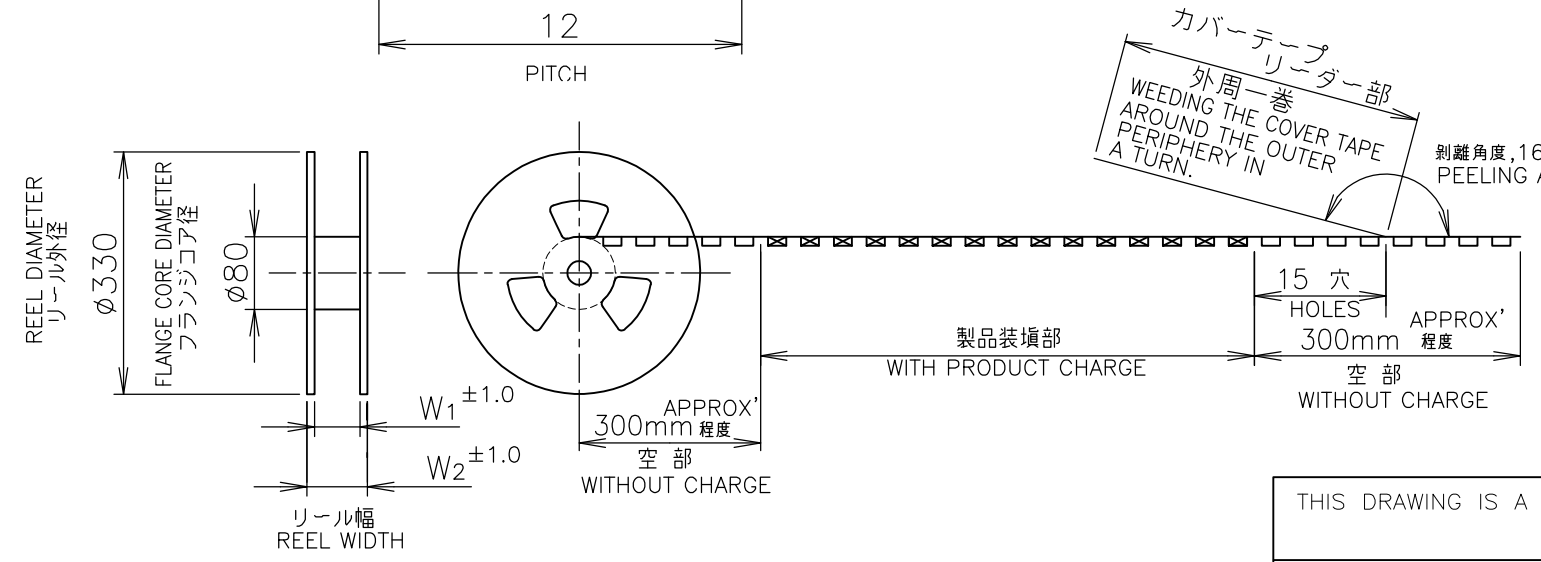


テープ幅
TAPE WIDTH

引出し方向
TOP OF REEL →



鉛フリー
LEAD FREE



カバーテープ
リーダー部
外周一巻
WEEDING THE COVER TAPE
AROUND THE OUTER
PERIPHERY IN
A TURN.
剥離角度, 165°~180°
PEELING ANGLE.

THIS DRAWING IS A CONTROLLED DOCUMENT.

DIMENSIONS: 単位: 耗 MM	TOLERANCES UNLESS OTHERWISE SPECIFIED: 一般公差
	0 PLC ± 0.3
	1 PLC ± 0.3
	2 PLC ± 0.3
	3 PLC ± 0.3
	4 PLC ± 0.3
	ANGLES ± 3'
MATERIAL 材料	FINISH 仕上

INSTRUCTION SHEET 取扱説明書 411-5808	WIRE RANGE 抱合電線断面積	INSULATION DIA 被覆外径
DWN Y.NAKAZAWA 23APR04	TE Connectivity ON TAPING (EMBOSS) 0.5mm PITCH Fine Mate CONN. TAB ASSEMBLY (V-TYPE)(H=4.0mm)	
CHK T.KUSUHARA 23APR04		
APVD H.MURAMATSU 23APR04	NAME 名称	
PRODUCT SPEC 製品規格 108-5496	SIZE A3	
APPLICATION SPEC 取付適用規格	CAGE CODE 00779	DRAWING NO 番号 C-1747028
WEIGHT	RESTRICTED TO	
CUSTOMER DRAWING	SCALE 尺度 4:1	SHEET 1 OF 2
		REV B

THIS DRAWING IS UNPUBLISHED. RELEASED FOR PUBLICATION APR , 2004.
 © COPYRIGHT 2004 By - ALL RIGHTS RESERVED.

LOC	DIST	REVISIONS 変更					
		P	LTR	DESCRIPTION	DATE	DWN	APVD
J		-		SEE SHEET 1	-	-	-

	DIMENSIONS										QTY/ REEL	POS	CONNECTOR P/N	TAPING P/N
	W2	W1	E	D	C	B	A							
WITH BOSS	37.5	33.5	0.4	19.1	32	28.4	14.2	1000	60	5-1747029-5	5-1747028-5			
WITHOUT BOSS	50.5	45.5	0.4	24	44	40.4	20.2	1000	80	1747029-3	1747028-3			
	50.5	45.5	0.4	29	44	40.4	20.2	1000	100	1747029-1	1747028-1			

鉛フリー
LEAD FREE

THIS DRAWING IS A CONTROLLED DOCUMENT.

DIMENSIONS: 単位: 耗 MM	TOLERANCES UNLESS OTHERWISE SPECIFIED: 一般公差
	0 PLC ± 0.3 1 PLC ± 0.3 2 PLC ± 0.3 3 PLC ± 0.3 4 PLC ± 0.3 ANGLES ± 3°
MATERIAL 材料	FINISH 仕上

INSTRUCTION SHEET 取扱説明書 411-5808	WIRE RANGE 抱合電線断面積	INSULATION DIA 被覆外径
DWN	TE Connectivity	
CHK	ON TAPING (EMBOSS) 0.5mm PITCH Fine Mate CONN. TAB ASSEMBLY (V-TYPE)(H=4.0mm)	
APVD	NAME 名称	RESTRICTED TO
PRODUCT SPEC 製品規格 108-5496	SIZE	CAGE CODE
APPLICATION SPEC 取付適用規格	A3	00779
WEIGHT	DRAWING NO 番号	C-1747028
CUSTOMER DRAWING	SCALE 尺度	4:1
	SHEET	2 OF 2
	REV	B