

4

3

2

1

THIS DRAWING IS UNPUBLISHED. RELEASED FOR PUBLICATION

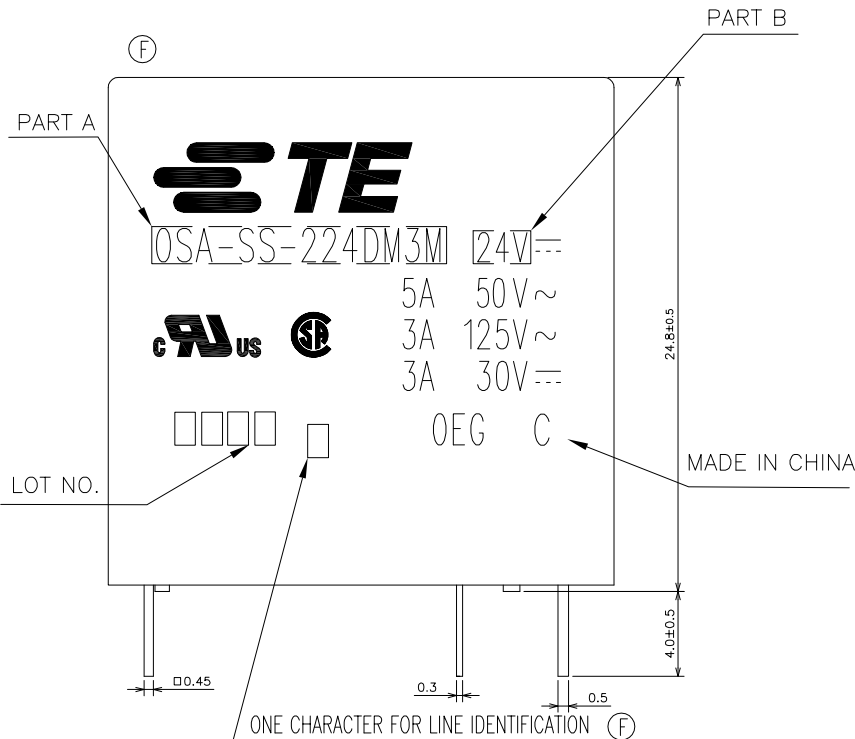
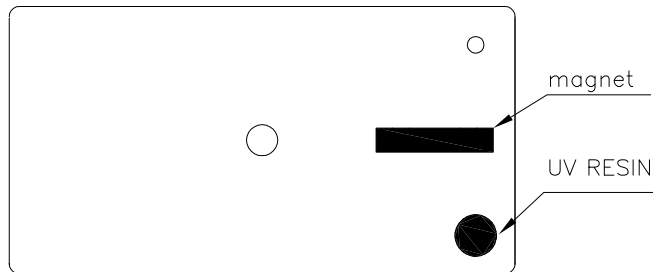
© COPYRIGHT - By TE Connectivity

ALL RIGHTS RESERVED.

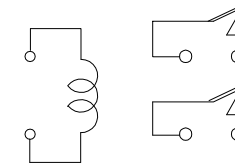
LOC HB DIST -

REVISIONS

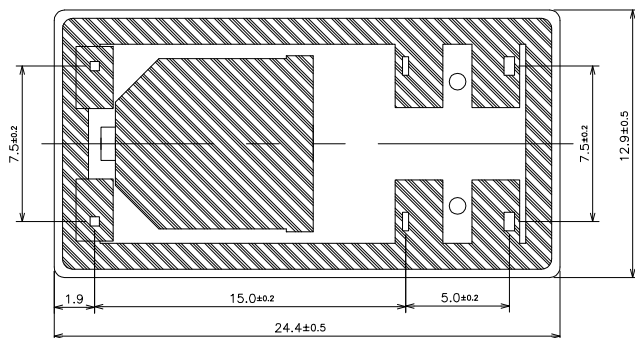
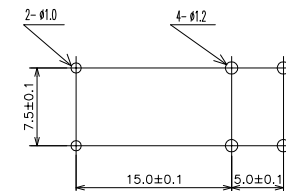
P	LTR	DESCRIPTION	DATE	DWN	APVD
D		RELEASE	09-JUN-09	HYS	YBH
F		1.TE LOGO CHANGE2.ADD LINE IDENTIFICATION3.TERMINALS TOLERANCE CLARIFICATION ECO-12-005305	03-APR-12	HYS	YBH



CONNECTION DIAGRAM(BOTTOM VIEW)



DRILLING DIAGRAM(BOTTOM VIEW)



THIS DRAWING IS A CONTROLLED DOCUMENT.

DIMENSIONS:	TOLERANCES UNLESS OTHERWISE SPECIFIED:
mm	
0 PLC	±
1 PLC	±
2 PLC	±
3 PLC	±
4 PLC	±
ANGLES	±

MATERIAL FINISH

DWN Huang, Yunshou
CHK Yu, Banghua
APVD Zhang, Sunny
PRODUCT SPEC
APPLICATION SPEC
WEIGHT

TE TE Connectivity

NAME
OSA-SH-2**DM3M CUSTOMER DRAWING

SIZE	CAGE CODE	DRAWING NO	RESTRICTED TO
A3	00779	3-1419145-0	-

CUSTOMER DRAWING SCALE 4:1 SHEET 1 OF 2 REV F

4

3

2

1

THIS DRAWING IS UNPUBLISHED. RELEASED FOR PUBLICATION - . - .
 © COPYRIGHT - By TE Connectivity ALL RIGHTS RESERVED.

LOC	DIST	REVISIONS			
P	LTR	DESCRIPTION	DATE	DWN	APVD
-	-	SEE SHEET 1	-	-	-

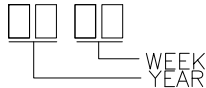
OSA-SH-224DM3M,000	4-1419124-5	24V	OSA-SH-224DM3M	107-79015	c
OSA-SH-224DM3M,000M	3-1419145-1	24V	OSA-SH-224DM3M	107-79016	b
OSA-SH-212DM3M,000M	3-1419145-0	12V	OSA-SH-212DM3M	107-79016	a
DESCRIPTION	TE PART NO	PART B	PART A	PACKAGE SPEC	No.

TOLERANCE

Diagram dimension	Tolerance
max. 1mm	±0.1mm
1 - 3mm	±0.2mm
min. 3mm	±0.3mm

NOTES:

1.LOT NO. SYSTEM AS FOLLOWING:



2.TERMINAL LENGTH DOES NOT IN CLUDE THE SOLDR TIP.

Ⓢ 3.FOR THE TIN-PLATING OF THE PINS: +0.1mm FOR WIDTH, THICKNESS AND DIAMETER +0.5mm FOR LENGTH

THIS DRAWING IS A CONTROLLED DOCUMENT.

DIMENSIONS:	TOLERANCES UNLESS OTHERWISE SPECIFIED:
mm	
	0 PLC ± -
	1 PLC ± -
	2 PLC ± -
	3 PLC ± -
	4 PLC ± -
	ANGLES ± -

MATERIAL	FINISH
-	-

DWN	-
CHK	-
APVD	-
PRODUCT SPEC	-
APPLICATION SPEC	-
WEIGHT	-

TE Connectivity			
NAME			
OSA-SH-2**DM3M CUSTOMER DRAWING			
SIZE	CAGE CODE	DRAWING NO	RESTRICTED TO
A3	00779	Ⓢ-3-1419145-0	-
CUSTOMER DRAWING		SCALE 4:1	SHEET 2 OF 2
		REV F	

		UV RESIN	UV SEAL	16
		FERRITE	MAGNET	15
		EPOXY RESIN	SEAL	14
94V-0		PBT	CASE	13
94V-0		PA66	CARD	12
		Ag ALLOY	STATIONARY CONTACT	11
		Cu ALLOY	STATIONARY TERMINAL	10
		Ag ALLOY	MOVABLE CONTACT	9
		Cu ALLOY	MOVABLE SPRING	8
	Cu-Ni PLATED	STEEL	ARMATURE	7
	Cu-Ni PLATED	STEEL	CORE	6
		PBS	HINGE SPRING	5
	Ni PLATED	STEEL	YOKE	4
		UEW	MAGNETIC WIRE	3
		CP WIRE	COIL TERMINAL	2
94V-0		PBT	BOBBIN	1
INCOMBUSTIBILITY	TREATMENT	MATERIAL	DESCRIPTION	ITEM