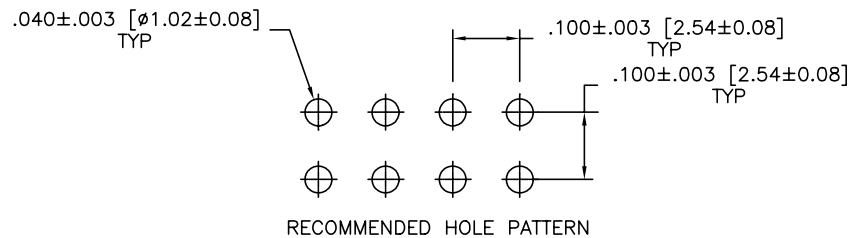
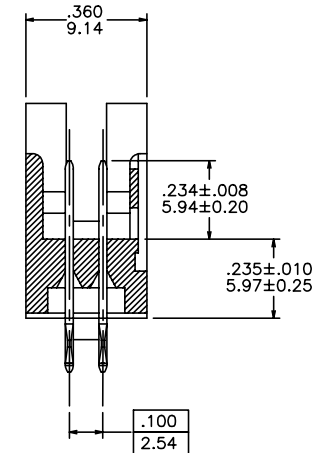
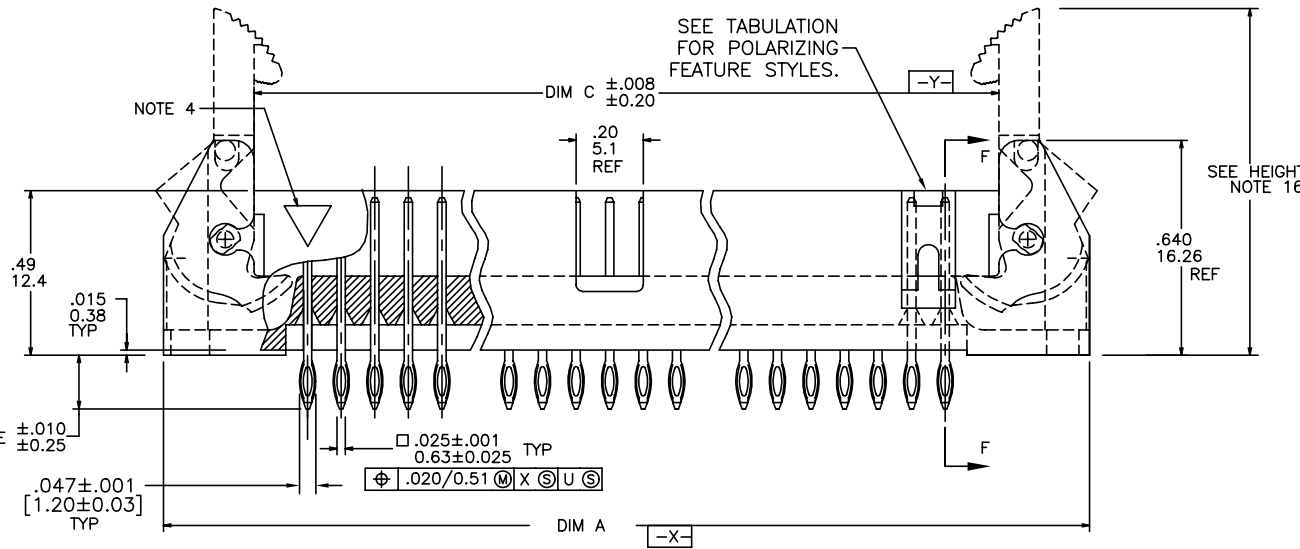
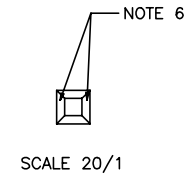
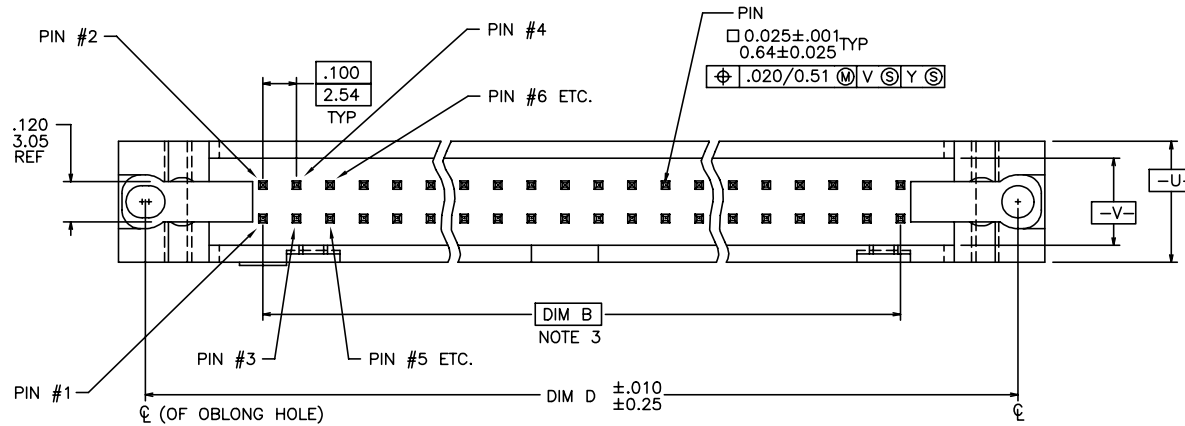
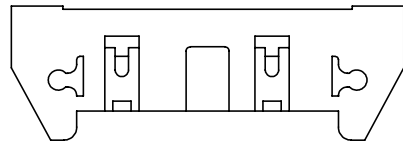


PRODUCT NUMBER
SEE TABLE

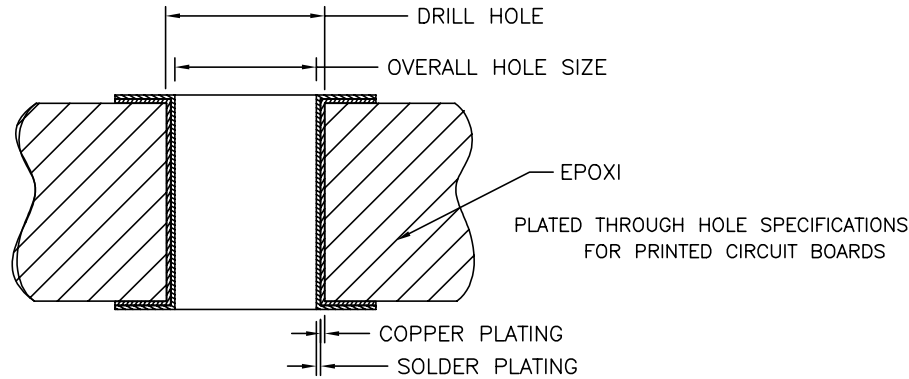


mat'l. code				surface ISO 1302 ✓		tolerance ISO 406 ISO 1101		projection		product family QUICKIE	
ltr ecn no dr date				tolerances unless otherwise specified				INCH/MM		title	
A	--	DCS	2012-10-22	angles	linear	.XX±.01/.XX±0.3		scale 1:1		E.O.N. HDR. ASSEMBLY SEA HORSE 4 WALL	
B	ELX-N-15789	ZK	2013-09-09	0±2°		.XXX±.005/.XXX±0.13				dwg no sheet 1 of 3 size	
						.XXX±.0020/.XXX±0.051				10123040 A3	
				dr	Brandon Ding	2012-10-22				type Product Customer Drawing	
				enr	Brandon Ding	2012-11-02					
				chr	Rick Bian	2012-11-02					
				appd	Rick Bian	2012-11-02					
sheet index	revision sheet	B 1	B 2	B 3							

PLATING NOTE 6	
1	30u"/.76u MIN Au OVER 50u "/1.27u Ni
2	30u"/.76u MIN GXT OVER 50u"/1.27u Ni
4	30u"/.76u GXT & 100u"/2.54u Sn DUPLEX
5	30u"/.76u GOLD & 100u"/2.54u Sn DUPLEX



STYLE D



NOTES:

- BODY MATERIAL; 30% GLASS FILLED POLYESTER FLAME RETARDANT PER UL 94-V0 COLOR-BLUE.
-1XX TO -6XX BLUE PBT
-7XX TO -9XX GREY PBT
- UNLESS OTHERWISE SPECIFIED, 1" MAX DRAFT PERMISSIBLE ON ALL SURFACES.
- DIM B BASIC DIM SHALL BE LOCATED SYMMETRICAL TO DATUM -Y-.
- TRIANGLE, LOGO, & PART NO. AND THEIR LOCATIONS OPTIONAL.
- PIN MATERIAL; 3/4 HD. PHOSPHOR BRONZE ALLOY UNS-C51000.
- TWO NON-CRITICAL SIDES OF TIPS NOT PLATED. TYP BOTH ENDS.
- RECOMMENDED MOUNTING SCREW - #2-56 FILLISTER HEAD MACHINE SCREW .25/6.35 LONG FOR .063/1.58 & .094/2.38 BOARDS, .313/7.93 LONG FOR .125/3.18 BOARDS.
- 3 LBS/1.36 KG PIN RETENTION IN BOTH DIRECTIONS.
- LOW PROFILE LATCHES TO BE USED WITH FEMALE CONNECTOR WITHOUT STRAIN RELIEF STANDARD LATCHES TO BE USED WITH FEMALE CONNECTORS WITH STRAIN RELIEF.
- ADD AN "A" AFTER THE 8 DIGIT PART NUMBER FOR CUSTOMER SPECIAL.
- RECOMMENDED PLATED-THRU-HOLE DIMENSIONS ARE:
DRILLED HOLE: .0453/1.151±.0010/.025 DIA
COPPER PLATING THICKNESS .001/.025 TO .003/.076
SOLDER PLATING THICKNESS: .0003/.076 TO .0007/.0178
OVERALL HOLE SIZE: .040/1.016±.003/.076 DIA
- PART NUMBERS WITH "LF" SUFFIX AT THE END OF PART NUMBER ARE LEAD FREE
- THESE PRODUCT MEETS EUROPEAN UNION DIRECTIVES AND OTHER COUNTRY REGULATION AS DESCRIBED IN GS-22-008.
- THE PRODUCT IS NOT INTENDED TO BE EXPOSED TO A MANUFACTURING SOLDER PROCESS.
- SEA-HORSE REFERENCE HEIGHT:
STANDARD SEA-HORSE: 1.035/26.29
LOW PROFILE SEA-HORSE: 0.920/23.37

SURFACE FINISH

Ag	Au	HOLE PLATING	SnPb	Sn	Copper
.037-043 [0.94-1.09]	.037-043 [0.94-1.09]	HOLE DIAMETER AFTER PLATING	.037-043 [0.94-1.09]	.037-043 [0.94-1.09]	.037-043 [0.94-1.09]
.0443-0463 [1.12-1.17]	.0443-0463 [1.12-1.17]	DRILLED HOLE	.0443-0463 [1.12-1.17]	.0443-0463 [1.12-1.17]	.0443-0463 [1.12-1.17]
.001-.003 [0.025-0.076]	.001-.003 [0.025-0.076]	COPPER PLATING	.001-.003 [0.025-0.076]	.001-.003 [0.025-0.076]	.001-.003 [0.025-0.076]
-	-	TIN LEAD PLATING	.0003-.0005 [0.0076-0.0127]	-	-
-	.0002-.0003 [0.0051-0.0076]	NICKEL PLATING	-	-	-
-	.000004-.000008 [.0001-.0002]	GOLD PLATING	-	-	-
-	-	IMMERSION Sn	-	.000039-.000051 [.0009-.0013]	-
.000016-.000024 [0.0004-0.0006]	-	IMMERSION Ag	-	-	-

mat'l. code		surface ISO 1302 ✓	tolerance ISO 406 ISO 1101	projection INCH/MM	product family QUICKIE
ltr	ecn no	dr	date	tolerances unless otherwise specified	title
B				angles linear XX±.01/XX±0.3 XXX±.005/XXX±0.13 XXXX±.0020/XXXX±0.051	E.O.N. HDR. ASSEMBLY SEA HORSE 4 WALL
				0±2'	scale 1:1
		dr	Brandon Ding	2012-10-22	dwg no sheet 2 of 3 size
		enrg	Brandon Ding	2012-11-02	10123040 A3
		chr	Rick Bian	2012-11-02	
		appd	Rick Bian	2012-11-02	type Product Customer Drawing
sheet index	revision sheet				

PRODUCT NUMBER	SIZE	STYLE	LATCH	DIM A	DIM B	DIM C	DIM D	DIM E	PIN PLATING	LEAD FREE
10123040-001LF	2 X 10	D	STD.	1.76/44.70	.900/22.86	1.220/30.99	1.600/40.64	.160/4.06	2	NOTE 12



mat'l. code		surface ISO 1302 ✓		tolerance ISO 406 ISO 1101		projection 		product family QUICKIE	
ltr	ecn	no	dr	date		tolerances unless otherwise specified		title	
B						angles	linear	INCH/MM	
						0±2"		scale 1:1	
			dr	Brandon Ding 2012-10-22				dwg no sheet 3 of 3 size	
			enfr	Brandon Ding 2012-11-02				10123040 A3	
			chr	Rick Bian 2012-11-02				type Product Customer Drawing	
			appd	Rick Bian 2012-11-02					
sheet	revision								
index	sheet								

