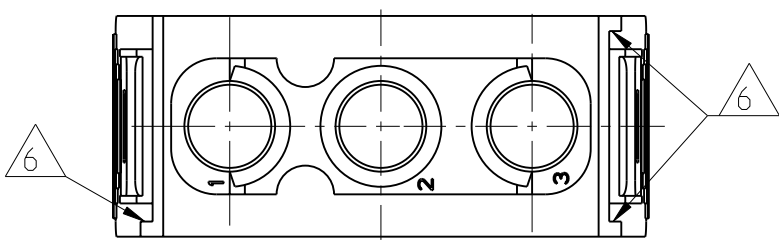


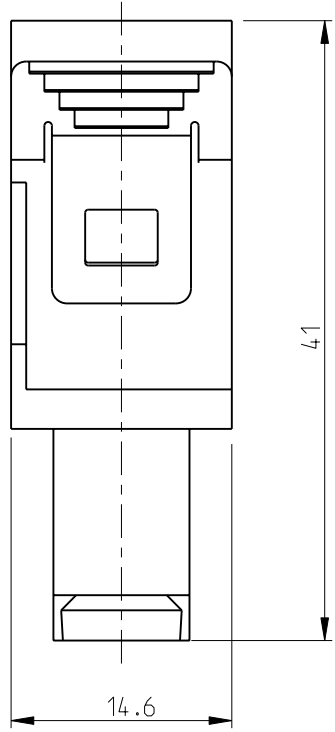
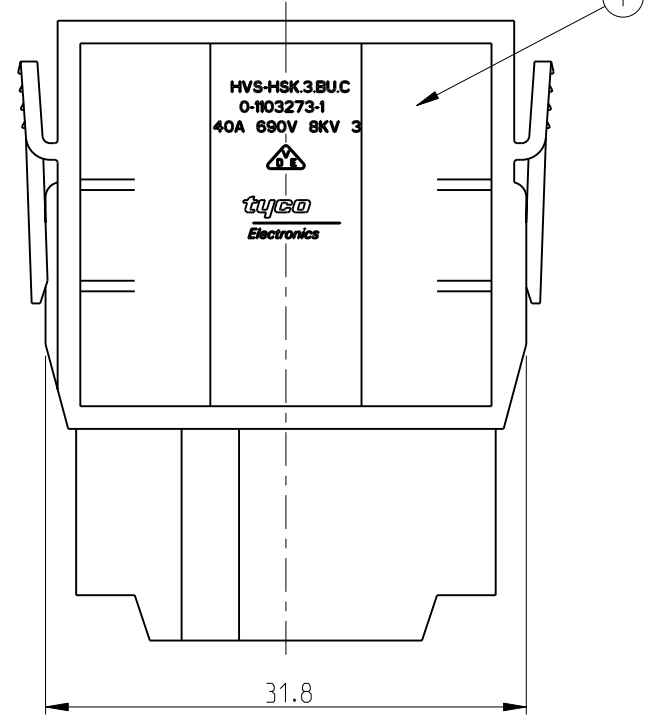
THIS DRAWING IS UNPUBLISHED. RELEASED FOR PUBLICATION 2000  
 PN 0-1 As Shown  
 © COPYRIGHT 2000 BY TYCO ELECTRONICS CORPORATION. ALL RIGHTS RESERVED.

LOC	DIST	REVISIONS					
		P	LTR	DESCRIPTION	DATE	DWN	APVD
A1		C1		ECR-10-023156	11NOV2010	SR	OH

Contact arrangement view from connecting side

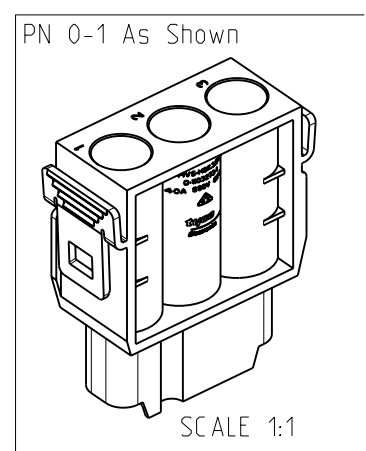


Print Image

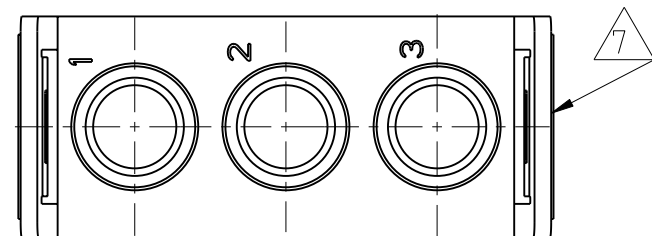


NOTES

- SUITABLE CRIMP CONTACTS: SERIES HSK  
 CUSTOMER DRAWING: 1108756  
 OUTER DIMENSIONS OF INSULATION: MAX. Ø8mm
  - SUITABLE MODULE FIXING FRAME: SERIES HVS SIZE 3 TO 8  
 CUSTOMER DRAWING: 1103250
  - SUITABLE INSERTION TOOL:  
 CUSTOMER DRAWING: 1102855
  - SUITABLE EXTRACTION TOOL:  
 CUSTOMER DRAWING: 1102855
  - STANDARDS:  
 DIN EN 61984; DIN EN 60664-1
- 6 POLARIZATION RIPS  
 7 MARKING OF POLARIZATION ACCORDING TO MARKING OF MODULE FRAME  
 8 PACKAGING:  
 10 PIECES IN A CARTON



Contact arrangement view from termination side



1	0-1	DESCRIPTION	MATERIAL	COLOR	ITEM NO
FEMALE INSERT			PC-GF20	LYGHT GREY	1
HVS-HSK.3.Bu.C					

DIMENSIONS: mm 		TOLERANCES UNLESS OTHERWISE SPECIFIED: ISO 8075 DIN ISO 2768 mH-E DIN 16901-120 0 PLC ± 1 PLC ± 2 PLC ± 3 PLC ± 4 PLC ± ANGLES ±		DWN 20.02.2006 SCHNEIDER CHK 20.02.2006 A.GAST APVD 20.02.2006 T.SCHNURPFIL PRODUCT SPEC 108-74081 APPLICATION SPEC 114-74083 WEIGHT CUSTOMER DRAWING
MATERIAL		FINISH		

Tyco Electronics AMP GmbH 53757 Sankt Augustin, Germany				
NAME FEMALE INSERT HVS-HSK.3.BU.C				
SIZE	CAGE CODE	DRAWING NO	RESTRICTED TO	
A3	00779	1103273		
SCALE 2:1		SHEET 1 OF 1		REV C1