



PRODUCT DATASHEET

Jenny series

last update 5/9/2014

DETAILS

Product Number	C14436_JENNY-HLD-A-BLK
Family	Jenny
Type	Accessory
Color	black
Diameter	34,8+50 mm
Height	5 mm
Style	rectang
Optic Material	
Holder Material	
Fastening	screw
Status	production ready
ROHS Compliant	Yes
Date Updated	5/09/2014



OPTICAL PROPERTIES

LED	Viewing Angle	Light Beam	Efficiency	cd/lm	Connector
-	N/A deg	-	-	sim: 0.000	-

D

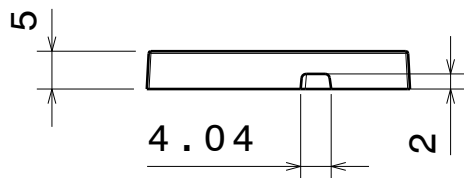
C

B

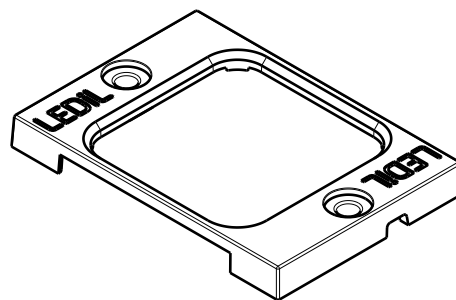
A

4

4



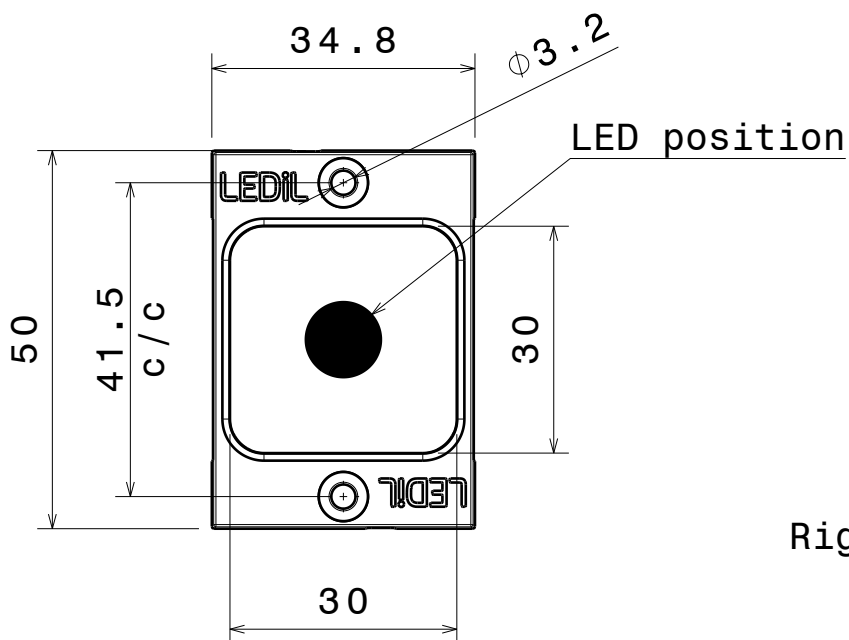
Front view



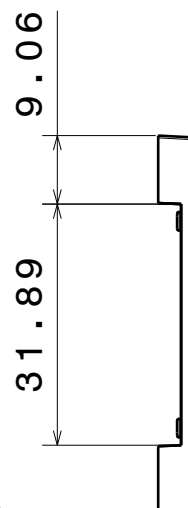
Isometric view

3

3



Top view



Right view

2

2

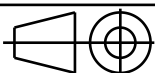
INDEX	PART NO	DESCRIPTION	MATERIAL	COLOUR
1	C14436	JENNY-HLD-A-BLK	PC	black

Tolerances if not otherwise shown
According to DIN ISO 2768-1
Linear measures: class C
According to DIN ISO 2768-2
Form and position: class L

LEDiL

Ledil Oy
Salorankatu 10
FIN 24240 SALO
Finland

THIRD ANGLE PROJECTION:



DRAWING TITLE

C14436_JENNY-HLD-A-BLK

This drawing is the property
of LEDiL Oy. It may not be
reproduced, copied or
communicated without a written
agreement with LEDiL Oy.

SIZE PART NUMBER

A4

C14436

SCALE	1:1	WEIGHT	2,65 g	SHEET	1/1
-------	-----	--------	--------	-------	-----

1

1

D

A

NOTE: The typical divergence will be changed by different color, chip size and chip position tolerance. The typical total divergence is the full angle measured where the luminous intensity is half of the peak value.