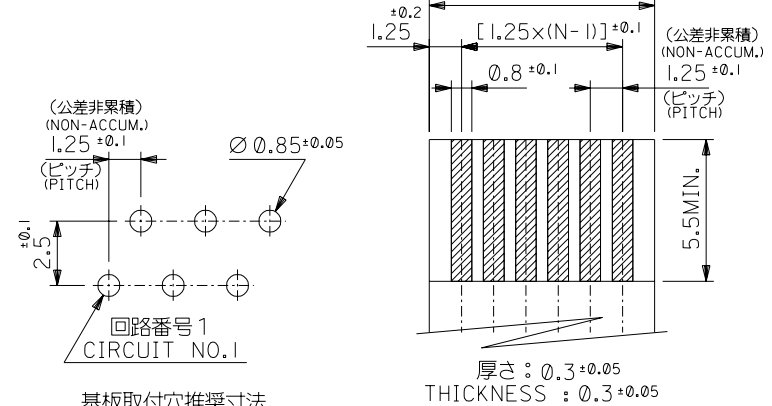
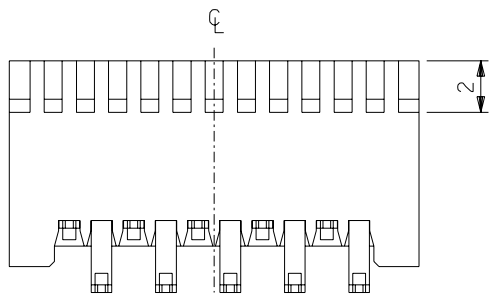
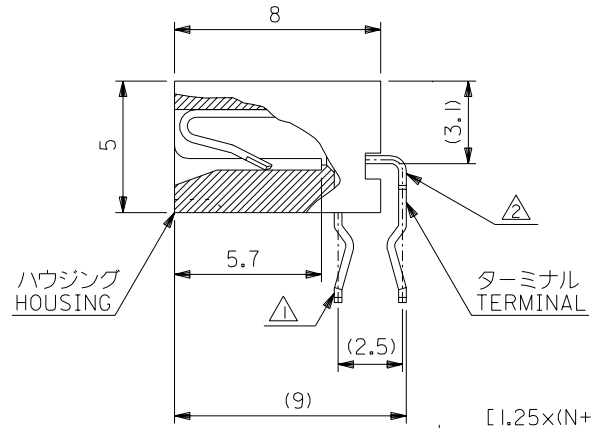
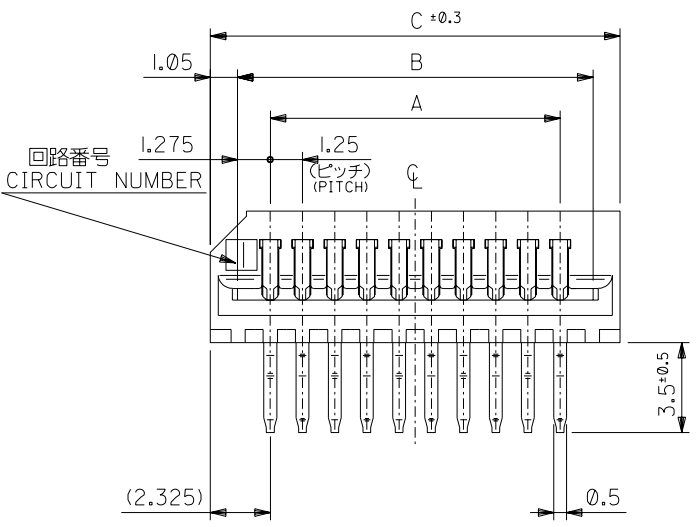


DWG. NO.  
SD-52044-\*\*\*45

無鉛  
LEAD FREE



注記 NOTES

- △ 奇数極ソルダーテール。  
ODD CIRCUIT SOLDER TAIL.
- △ 偶数極ソルダーテール。  
EVEN CIRCUIT SOLDER TAIL.

3. 材質 MATERIAL

ターミナル: リン青銅 (t=0.3)  
メッキ: 錫メッキ 0.9 μm 以上  
リフロー処理  
TERMINAL: PHOSPHOR BRONZE (t=0.3)  
PLATING: Sn 0.9 μm MIN.  
REFLOW TREATMENT.  
ハウジング: PBTP, UL94V-0 (灰色)  
HOUSING: PBTP, UL94V-0 (GRAY)

基板取付穴推奨寸法  
RECOMMENDED P.C.BOARD HOLE DIM.  
(厚さ: 1.6)  
(THICKNESS: 1.6)

|       |       |       |            |                |
|-------|-------|-------|------------|----------------|
| 53.4  | 51.3  | 48.75 | 52044-4045 | 40             |
| 52.15 | 50.05 | 47.5  | ▲ -3945    | 39             |
| 50.9  | 48.8  | 46.25 | -3845      | 38             |
| 49.65 | 47.55 | 45    | -3745      | 37             |
| 48.4  | 46.3  | 43.75 | -3645      | 36             |
| 47.15 | 45.05 | 42.5  | -3545      | 35             |
| 45.9  | 43.8  | 41.25 | -3445      | 34             |
| 44.65 | 42.55 | 40    | -3345      | 33             |
| 43.4  | 41.3  | 38.75 | -3245      | 32             |
| 42.15 | 40.05 | 37.5  | -3145      | 31             |
| 40.9  | 38.8  | 36.25 | -3045      | 30             |
| 39.65 | 37.55 | 35    | -2945      | 29             |
| 38.4  | 36.3  | 33.75 | -2845      | 28             |
| 37.15 | 35.05 | 32.5  | -2745      | 27             |
| 35.9  | 33.8  | 31.25 | -2645      | 26             |
| 34.65 | 32.55 | 30    | -2545      | 25             |
| 33.4  | 31.3  | 28.75 | -2445      | 24             |
| 32.15 | 30.05 | 27.5  | -2345      | 23             |
| 30.9  | 28.8  | 26.25 | -2245      | 22             |
| 29.65 | 27.55 | 25    | -2145      | 21             |
| 28.4  | 26.3  | 23.75 | -2045      | 20             |
| 27.15 | 25.05 | 22.5  | -1945      | 19             |
| 25.9  | 23.8  | 21.25 | -1845      | 18             |
| 24.65 | 22.55 | 20    | -1745      | 17             |
| 23.4  | 21.3  | 18.75 | -1645      | 16             |
| 22.15 | 20.05 | 17.5  | -1545      | 15             |
| 20.9  | 18.8  | 16.25 | -1445      | 14             |
| 19.65 | 17.55 | 15    | -1345      | 13             |
| 18.4  | 16.3  | 13.75 | -1245      | 12             |
| 17.15 | 15.05 | 12.5  | -1145      | 11             |
| 15.9  | 13.8  | 11.25 | -1045      | 10             |
| 14.65 | 12.55 | 10    | -0945      | 9              |
| 13.4  | 11.3  | 8.75  | -0845      | 8              |
| 12.15 | 10.05 | 7.5   | -0745      | 7              |
| 10.9  | 8.8   | 6.25  | -0645      | 6              |
| 9.65  | 7.55  | 5     | -0545      | 5              |
| 8.4   | 6.3   | 3.75  | ▼ -0445    | 4              |
| 7.15  | 5.05  | 2.5   | 52044-0345 | 3              |
| C     | B     | A     | ENG. NO.   | NO. OF CKT. 極数 |

DIMENSIONS IN METRIC DO NOT SCALE DRAWING

|                         |        |                      |                                    |                    |                               |                                  |   |
|-------------------------|--------|----------------------|------------------------------------|--------------------|-------------------------------|----------------------------------|---|
| 単位 DESIGN UNITS         |        | mm                   |                                    |                    | 材料 MATERIAL                   | 注記参照<br>SEE NOTES                | molex MOLEX-JAPAN CO.,LTD.<br>日本モレックス株式会社 |
| 角度 ANGLE                | ±3°    |                      |                                    |                    | 仕上げ FINISH                    | —  —                             |   |
| 30°以上 OVER              | ±0.3   | C                    | 変更 REVISIED (J2003-1115)           | K.Y. M.T '02/10/22 | 適用電線範囲 WIRE RANGE             | —  —                             | TITLE 名称                                  |
| 10°以上 30°未滿 UNDER       | ±0.25  | B                    | 変更 REVISIED (J2002-1855)           | K.Y. M.T '02/2/1   | 被覆外径 INS. RANGE               | —  —                             | 1.25 FFC CONN. HS'G ASS'Y R/A. TYPE       |
| 未滿 10° UNDER            | ±0.2   | A                    | 再作図&変更 (J50278) REDRAWN & REVISIED | T.A. H.H '95/4/24  | DRAWN BY '95/4/24 T.ASAKAWA   | CHK'D BY '95/4/24 Y.M.H.HIRAMOTO | DWG. NO.                                  |
| 一般公差 GENERAL TOLERANCES | 記号 LTR | 変更内容 REVISION RECORD | DR. CHK.                           | 日付 DATE            | APP'D BY '95/4/24 M.FUKUSHIMA | 尺度 SCALE 5 : 1                   | SD-52044-***45                            |
|                         |        |                      |                                    |                    |                               |                                  | REV C                                     |