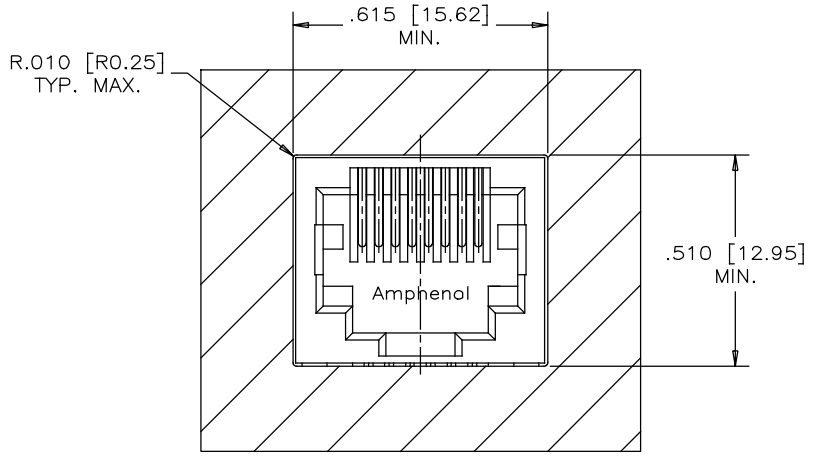
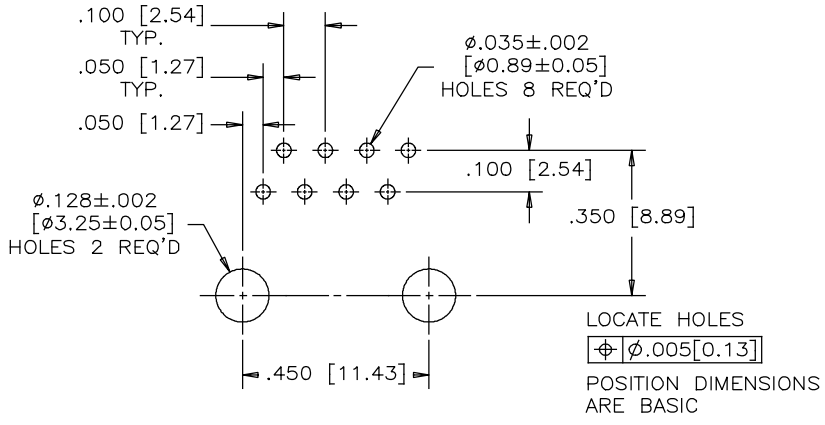
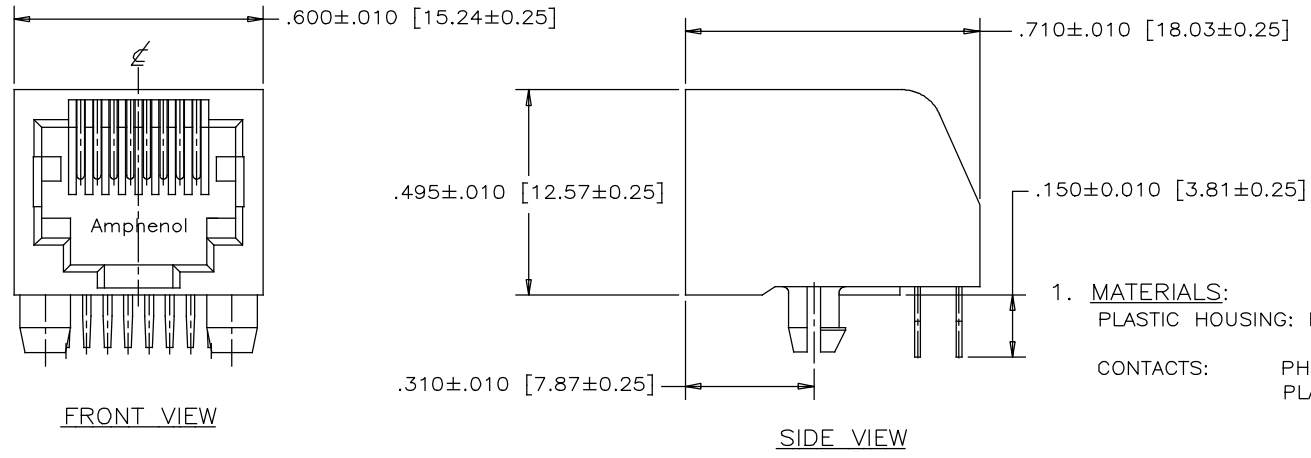


REVISIONS			
REV	DESCRIPTION, ECN, EAR NO.	DATE	APP'D
C	PROPOSAL	05/12/05	L.CHAN
D	UPDATE DRAWING	10/12/16	L.CHAN



- MATERIALS:**  
 PLASTIC HOUSING: ENGINEERING THERMOPLASTIC  
 FLAMMABILITY RATING UL 94V-0  
 CONTACTS: PHOSPHOR BRONZE  
 PLATING: REFER TO PART NUMBER FOR GOLD THICKNESS ON MATING SURFACES.  
 50 μ" [1.27 MICRONS] MIN. NICKEL UNDERPLATE  
 100 μ" [2.54 MICRONS] MIN. MATTE TIN ON CONTACT TAILS.

- MECHANICAL:**  
 MATING FORCE: 6.0 LBS MAX.  
 MATING CYCLES: 150

- ELECTRICAL:**  
 CONTACT RESISTANCE: 40 MILLIOHMS MAXIMUM  
 INSULATION RESISTANCE: 500 MEGOHMS MINIMUM  
 CURRENT RATING: 1.5 AMPS  
 VOLTAGE RATING: 150 VOLTS AC

- ENVIRONMENTAL:**  
 STORAGE TEMPERATURE: -20°C to 85°C  
 PACKAGING METHOD: TRAY PACKAGING

- MAXIMUM SAFE PROCESSING TEMPERATURE FOR CONNECTOR: 205°C
- UL FILE NUMBER:** E136228

AMPHENOL PART NUMBER: RJE03-188-0X10

- 1 = 06 μ" GOLD
- 2 = 15 μ" GOLD
- 3 = 30 μ" GOLD
- 4 = 50 μ" GOLD

UNLESS SPECIFIED OTHERWISE	DRAWN PAULW	DATE 05/12/16	Amphenol Canada Corp. www.amphenolcanada.com
PRIMARY UNITS INCH	CHECKED CHIGOW	05/12/16	
SECONDARY MILLIMETER	M.E. APP'D		TITLE
REFERENCE IN PARENTHESES	Q.A. APP'D		MODULAR JACK, 8 POSITION, 8 CONTACTS, WITHOUT SHIELD, (NO SIDE FLANGES, NO KEY) - RoHS COMPLIANT
GENERAL TOLERANCES	DWG APPR.		DWG. NO.
1 DECIMAL PLACE ±.020	ENG. REL. NO.		P-RJE03-188-0X10
2 DECIMAL PLACES ±.015	REF.		REV D
3 DECIMAL PLACES ±.010	THIRD ANGLE PROJECTION	DO NOT SCALE DRAWING	CODE ID NO. 03554 DWG SIZE: C SCALE: N/A SHEET 1 OF 1
ANGULAR DEGREES ±1.0°			