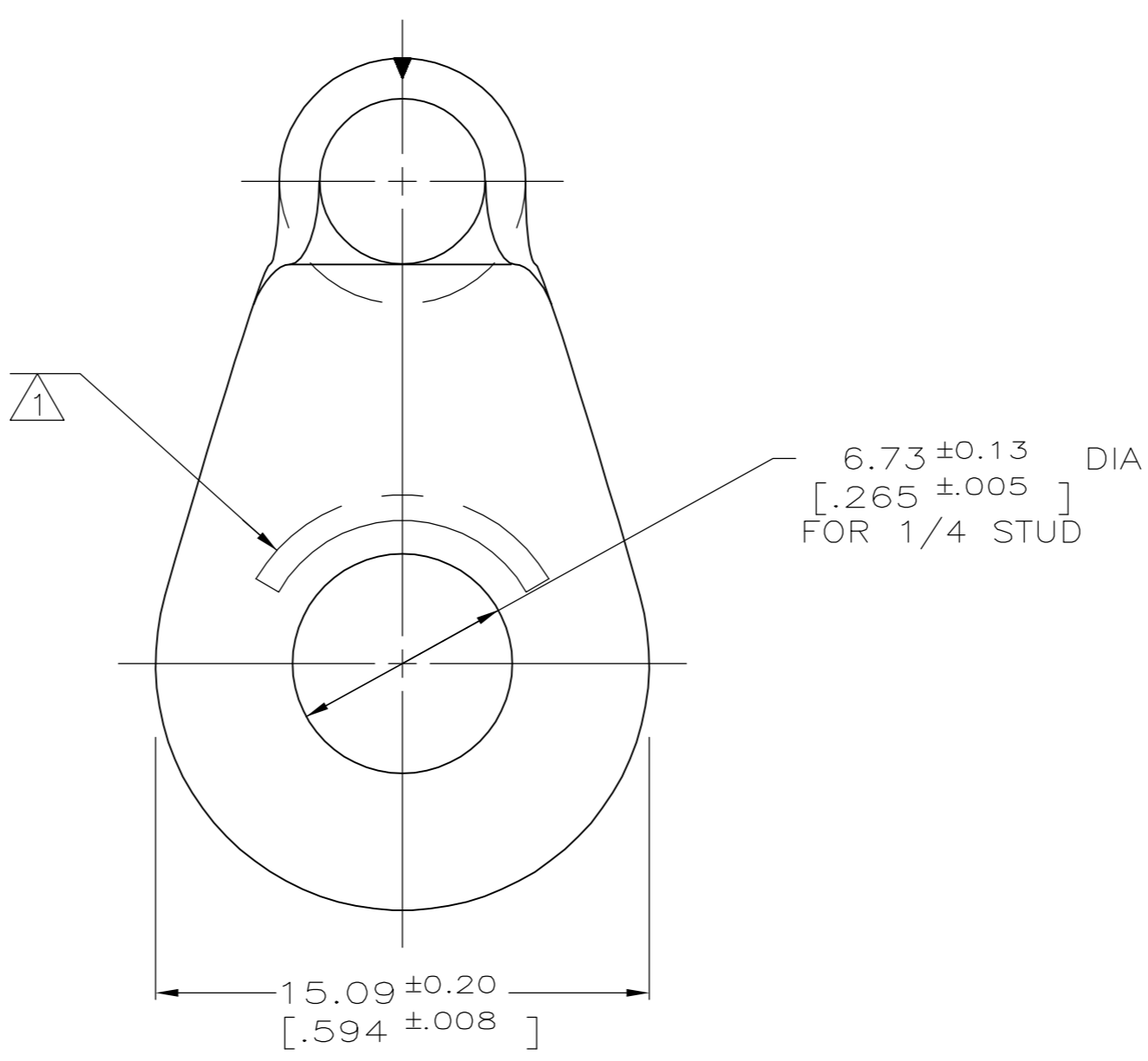
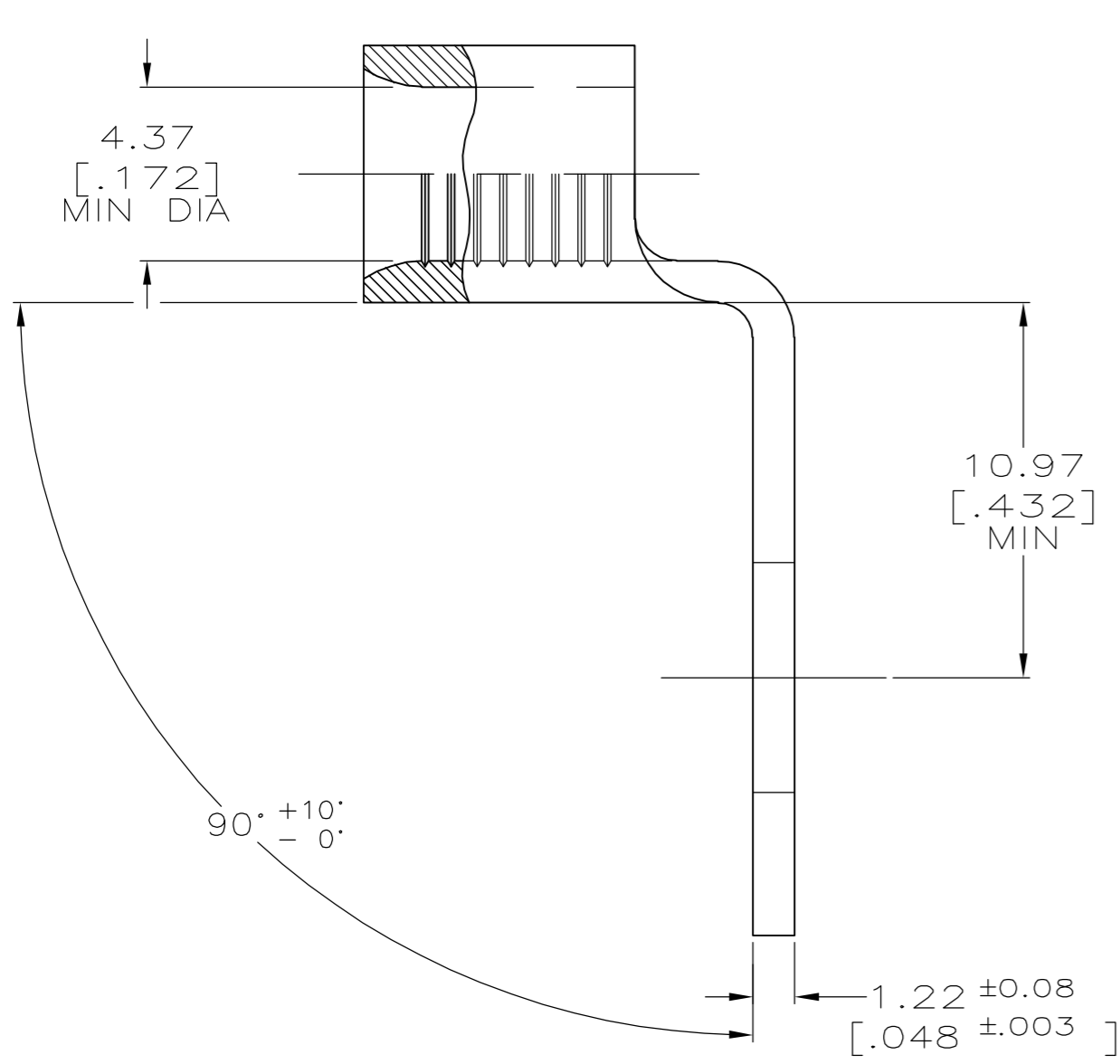
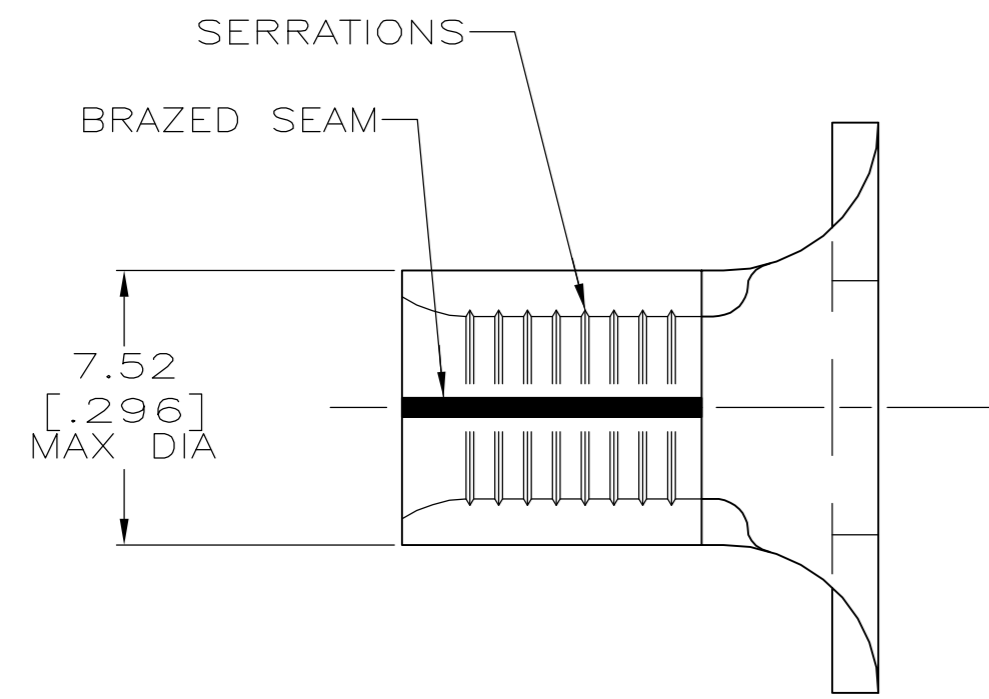


THIS DRAWING IS UNPUBLISHED. RELEASED FOR PUBLICATION  
 © COPYRIGHT BY TYCO ELECTRONICS CORPORATION. ALL RIGHTS RESERVED.

LOC	DIST	REVISIONS					
		P	LTR	DESCRIPTION	DATE	DWN	APVD
G	14	E1		REV PER ECR 06-016752	11JUL06	JR	MS



- 1 STAMP AMP 8\* APPROX AS SHOWN
- 2 COPPER PER ASTM B-152, ANNEALED
- 3 0.00254 [.000080] MIN TIN PLATE PER ASTM B-545
- 4 RECOMMENDED MAX OPERATING TEMP TO BE 170°C
- 5 WIRE CROSS SECTIONAL AREA RANGE: 6.64-10.5mm<sup>2</sup> [13,100-20,800] CMA SOLID OR STRANDED

35277  
PART NO.

THIS DRAWING IS A CONTROLLED DOCUMENT.		DWN DK SCHRUM 01JUN94	Tyco Electronics Corporation Harrisburg, PA 17105-3608	
DIMENSIONS: INCHES		CHK DA PATTERSON 05AUG94		
TOLERANCES UNLESS OTHERWISE SPECIFIED:		APVD JL MECKLEY 05AUG94	NAME	
0 PLC ± -		PRODUCT SPEC	TERMINAL, BENT 90 RING TONGUE, SOLISTRAND	
1 PLC ± -		APPLICATION SPEC	SIZE CAGE CODE DRAWING NO RESTRICTED TO	
2 PLC ± 0.20[.008]			A2 00779 C=35277 -	
3 PLC ± -			SCALE SHEET REV	
4 PLC ± -			5:1 1 of 1 E1	
ANGLES ± -				
FINISH				
MATERIAL		WEIGHT	CUSTOMER DRAWING	
- 2		-		
		- 3		