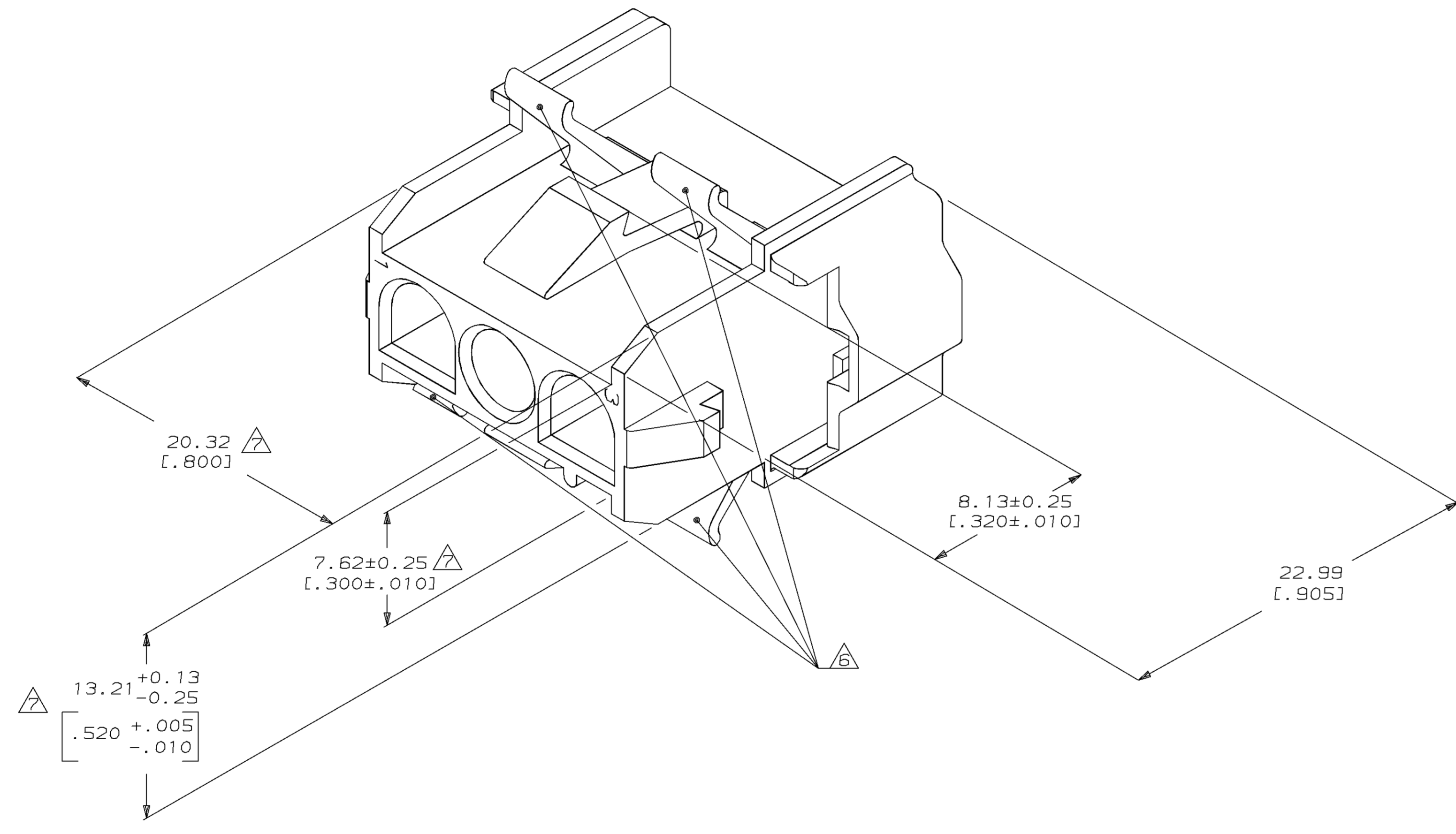
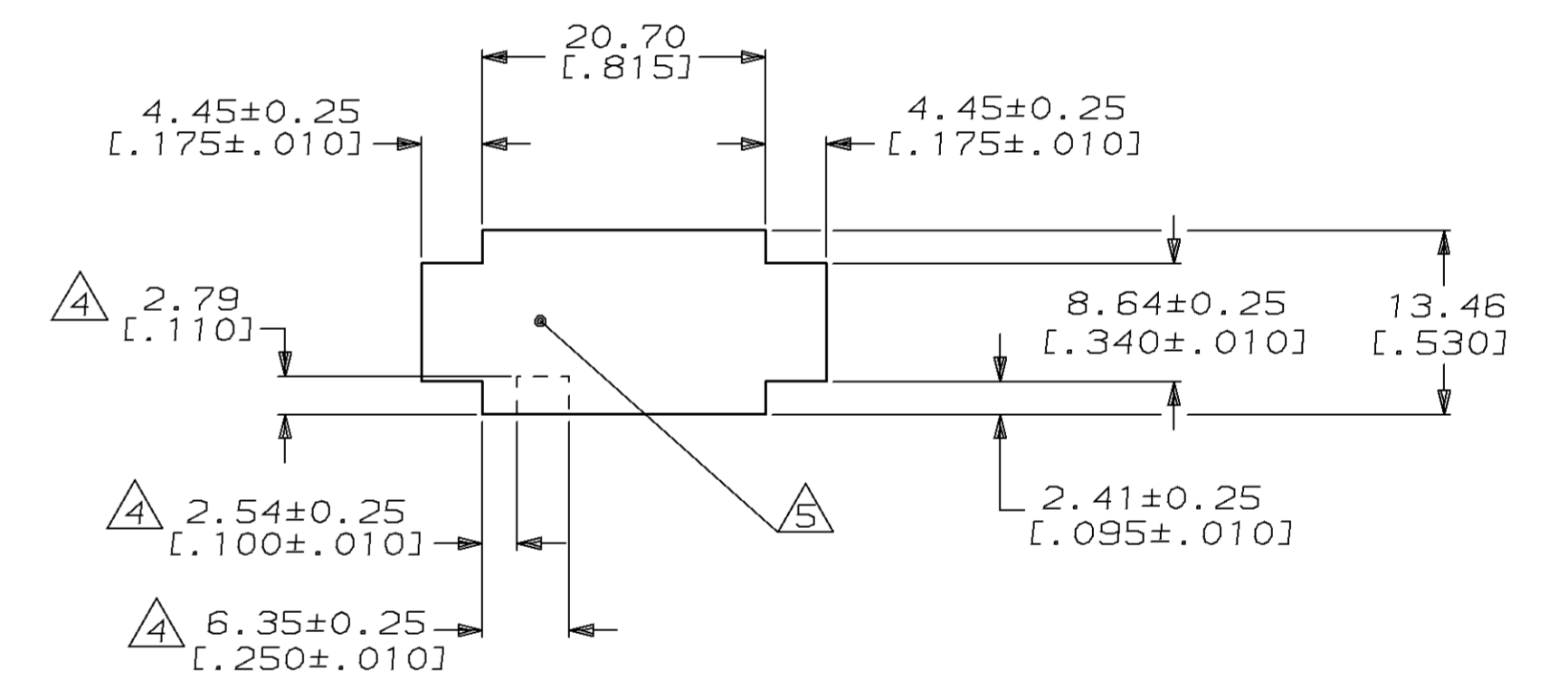


LOC		DIST		P		ZONE		LTR		REVISIONS		DATE	APPD
CM	53									6	REV PER EC 0L30-0060-96	10-1-96	JH/R5



1. MUST BE ASSEMBLED WITH CAP REAR P/N 770048-1 BEFORE MATING. KIT P/N IS 770025-1.
2. RECOMMENDED PANEL THICKNESS 0.76-2.29 [.030-.090].
3. PANEL MUST BE PUNCHED SO THAT THE HOUSING ENTERS THE PANEL IN THE SAME DIRECTION AS THE PUNCH.
4. OPTIONAL FOR KEYING HOUSING IN PANEL.
5. CIRCUIT NUMBER 1 LOCATION.
6. AMP LOGO LOCATED ONCE ON ANY INDICATED SURFACE FARSIDE.
7. DIMENSION INDICATED IS AS MOLDED. ADDITIONAL GROWTH DUE TO SUBSEQUENT MOISTURE ABSORPTION MAY OCCUR.



RECOMMENDED PANEL CUTOUT
 (HOUSING ENTRY SIDE)
 SCALE 2:1

770047-1
 PART NUMBER



DO NOT SCALE PRINT. UNLESS SPECIFIED DIMENSIONS IN INCHES TOLERANCES ON:		DR 1-15-92 K. SALMON		PART NO	
1 CHK 1-15-92 R. SWING		CHK 1-15-92 R. SWING		AMP INCORPORATED Harrisburg, Pa. 17105	
2 PLC DEC ± 0.13 [.005]		APPD 1-16-92 M. TRULL		NAME	
3 ANGLES ±		APPD 1-16-92 M. TRULL		CAP FRONT, 3 CIRCUIT, UNIVERSAL MATE-N-LOK™ II	
MATERIAL NYLON, UL94V-0,		PRODUCT SPEC		SIZE D	
FINISH		APPLICATION SPEC		F5CM NO 00779	
WEIGHT		SCALE 5:1		DRAWING NO 770047	
				SHEET 1 OF 1	