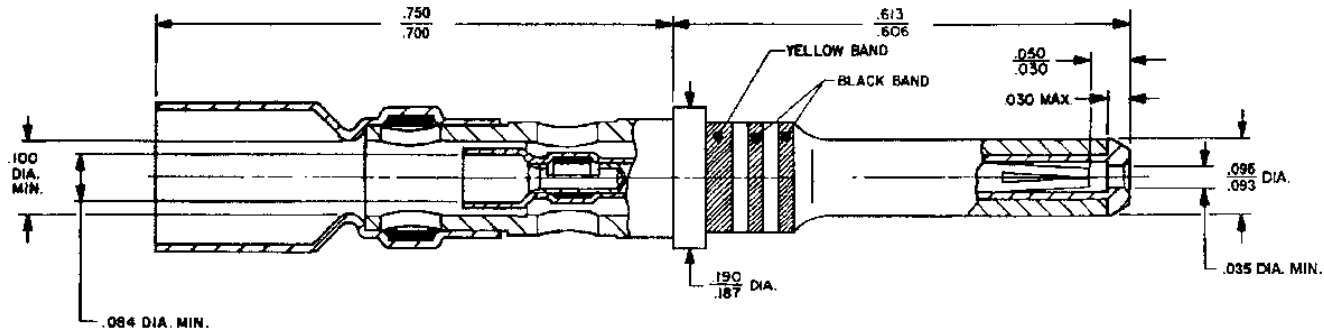


REVISIONS		DATE	APPROVED
D	REDRAWN AND REVISED DCO# 01547		307
E	ADDED NOTE 7, DCO# 01781	7/1/82	309
F	REVISED PER E.O. D-1023	1-11-84	107
G	REVISED PER ECN T-06100	1-17-84	A. HIGGY
H	REVISED PER ECN T-7641	11-18-84	M. HIGGY
J	REVISED PER ECN# T-18724	8/20/85	M. HIGGY
K	REVISED PER ECN# T-19559	8/11/85	M. HIGGY



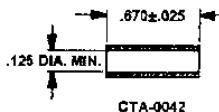
CABLE APPLICATION	
RG CABLE	RAYCHEM CABLE
RG 174 U	5024 AIXIX
RG 178 B/U	7528 AIXIX
RG 179 B/U	9530 AIXIX
RG 316 U	9532 AIXIX
OTHER APPLICATIONS SHOULD BE SUBMITTED TO RAYCHEM FOR EVALUATION.	

REQUIREMENTS:

- 1a. CONTACT MATERIAL: COPPER ALLOY PER QQ-B-626 & QQ-C-530.
- 1b. INSULATOR MATERIAL: FLUOROPOLYMER
2. PLATING: GOLD PER MIL-G-45204, NICKEL, PER QQ-N-290, OVER COPPER.
3. MAXIMUM OPERATING TEMPERATURE: 130°C.
4. PERFORMANCE REQUIREMENTS PER MIL-C-39029 EXCEPT AS FOLLOWS:
 - A. THERMAL SHOCK: THE HIGH TEMPERATURE FOR THIS TEST SHALL BE 130°C (MIL-STD-202, METHOD 107, TEST CONDITION A, STEP 3).
 - B. TENSILE STRENGTH: FOR COAX-COMBINED INNER AND OUTER-IS LBS. OR TENSILE STRENGTH OF COAX CABLE.
 - C. CONTACT RESISTANCE: 10 MILLIOHMS MAX., INNER; 8 MILLIOHMS MAX., OUTER (EXCLUDING WIRE RESISTANCE).
 - D. DIELECTRIC WITHSTANDING VOLTAGE: 900 VOLTS RMS MINIMUM.
 - E. INSULATION RESISTANCE: 5000 MEGOHMS MINIMUM.
 - F. ENGAGEMENT FORCE, INNER SOCKET: 16 OZ. MAXIMUM.
 - G. SEPARATION FORCE, INNER SOCKET: 0.5 OZ. MINIMUM.

NOTES:

1. THIS CONTACT IS DESIGNED FOR USE IN MIL-C-83723 SERIES 3 TYPE B CONNECTORS.
2. THIS CONTACT IS DESIGNED TO TERMINATE TO THE CABLES IN THE ABOVE TABLE.
3. INSERTION-EXTRACTION TOOL: M83723-3F-12 OR MS 27534-12.
4. FOR ADDITIONAL REQUIREMENTS SEE MIL-C-39029/74
5. FOR TERMINATION PROCEDURE SEE RAYCHEM SPECIFICATION ES81129
6. MATING CONTACT (FOR SIMILAR CONTACTS): D-602-0095.
7. TO ACHIEVE AN ENVIRONMENTAL SEAL IN A MIL-C-83723 CONNECTOR, USING RG-178 CABLE, INSTALL RAYCHEM PART NO. CTA-0042 IMMEDIATELY ADJACENT TO THE END OF THE METALLIC BODY.



CTA-0042

If this document is printed it becomes uncontrolled.
Check for the latest revision.

DO NOT SCALE THIS DRAWING

CONNECTOR SPECIFICATION CONTROL DRAWING

UNLESS OTHERWISE SPECIFIED DIMENSIONS ARE IN INCHES BRACKETED DIMENSIONS () ARE METRIC AND TOLERANCES ARE:	DRAWN	B. DEASY	3-19-80	 Raychem 300 Conestoga Road Millsboro, DE 19966-0001	TITLE	
	CHECKED					CONTACT, COAXIAL PIN
	APPROVED					
	APPROVED	L. VANDERKAM	18 MAY 87			
APPROVED						
	CAD NAME	602-0084.PCX	SIZE	CODE IDENT	DWG. NO.	
		503-029	A	NO. 08080	D-602-0094	
			WEIGHT 1.30 GRAMS MAX.		SHEET 1 OF 1	