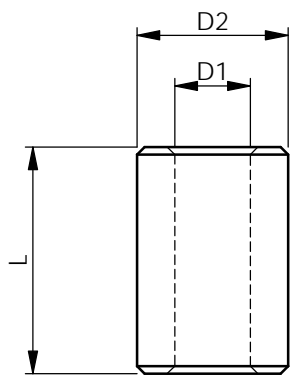
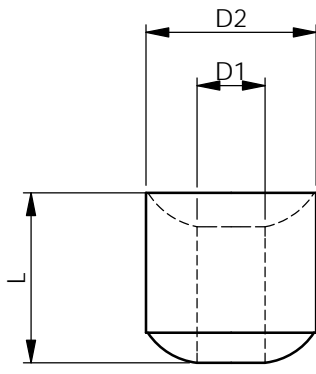


A B C D E F

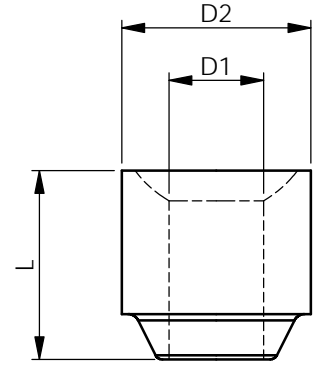
REV.	MODIFICATION.	DATE	DRN
01	NEW DRAWING	30/06/04	NJB
02	PART REF. QTY CHANGED	24/09/04	NJB
03	DUAL DIMENSIONING ADDED	04/10/04	NJB
04	ECN 05-012	11/01/05	NJB
05	ECN 06-034	22/02/06	OW



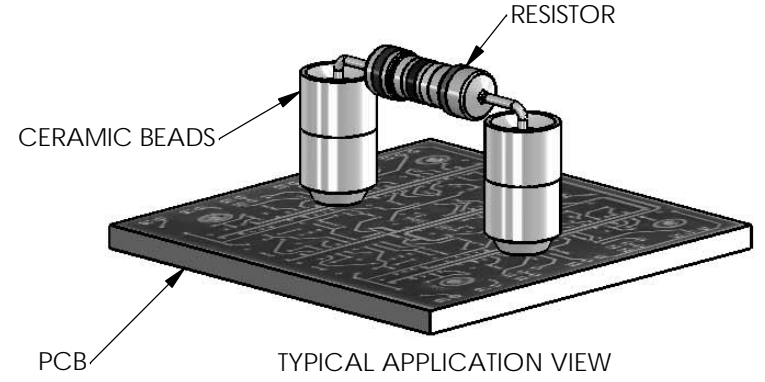
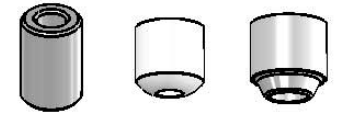
STYLE 1



STYLE 2



STYLE 3



NOTES:  
1) ALL PRIMARY DIMENSIONS IN mm,  
SECONDARY DIMENSIONS IN INCHES.

PART NUMBER	D1	D2	L	STYLE
CER-1	2.0 [.079]	4.0 [.158]	6.0 [.237]	1
CER-2	1.6 [.063]	4.5 [.178]	8.0 [.315]	1
CER-3	1.6 [.063]	4.5 [.178]	10.0 [.394]	1
CER-4	1.0 [.040]	3.0 [.119]	3.0 [.119]	2
CER-5	1.8 [.071]	4.5 [.178]	4.5 [.178]	2
CER-6	1.0 [.040]	3.0 [.119]	5.0 [.197]	2
CER-7	2.5 [.098]	5.0 [.197]	5.0 [.197]	3

INFORMATION CONTAINED IN THIS DOCUMENT IS CONFIDENTIAL TO RICHCO INTERNATIONAL Co. Ltd. AND MAY NOT BE DISCLOSED OR REPRODUCED IN WHOLE OR PART WITHOUT THEIR WRITTEN CONSENT.



METRIC GENERAL TOLERANCES ±0.25 ARE PRIMARY UNLESS OTHERWISE STATED 1 DECIMAL PLACE ± 2 DECIMAL PLACES ± ANGULAR ±1°	IMPERIAL GENERAL TOLERANCES ±0.010 ARE FOR REFERENCE UNLESS OTHERWISE 1 DECIMAL PLACE ± 2 DECIMAL PLACES ± ANGULAR ±1°	THIRD ANGLE 
---	---	-----------------

MATERIAL: STEATITE C220 CERAMIC (RMS-170)	COLOUR: NATURAL
--	--------------------

DESCRIPTION: CERAMIC BEADS, SPACERS & TUBES	PART No: CER-X
--	-------------------

DRG No: 04-067	NPR No:	WEIGHT:	SHEET SIZE A4
-------------------	---------	---------	------------------

DRN NJB	DATE 30/06/04	CHKD OW	DATE 30/06/04	SCALE NTS	SHEET No. 1 OF 1
------------	------------------	------------	------------------	--------------	---------------------

A B C D E F