

THIS DRAWING IS UNPUBLISHED.

RELEASED FOR PUBLICATION

20

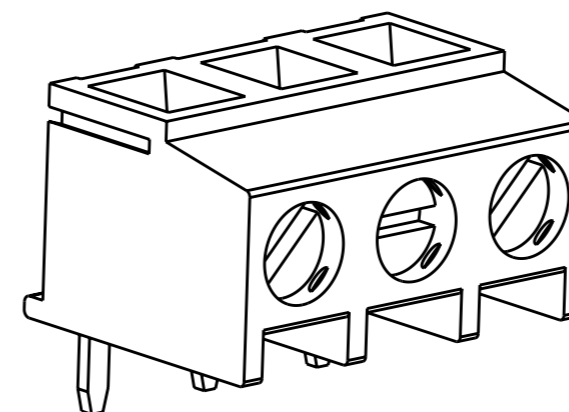
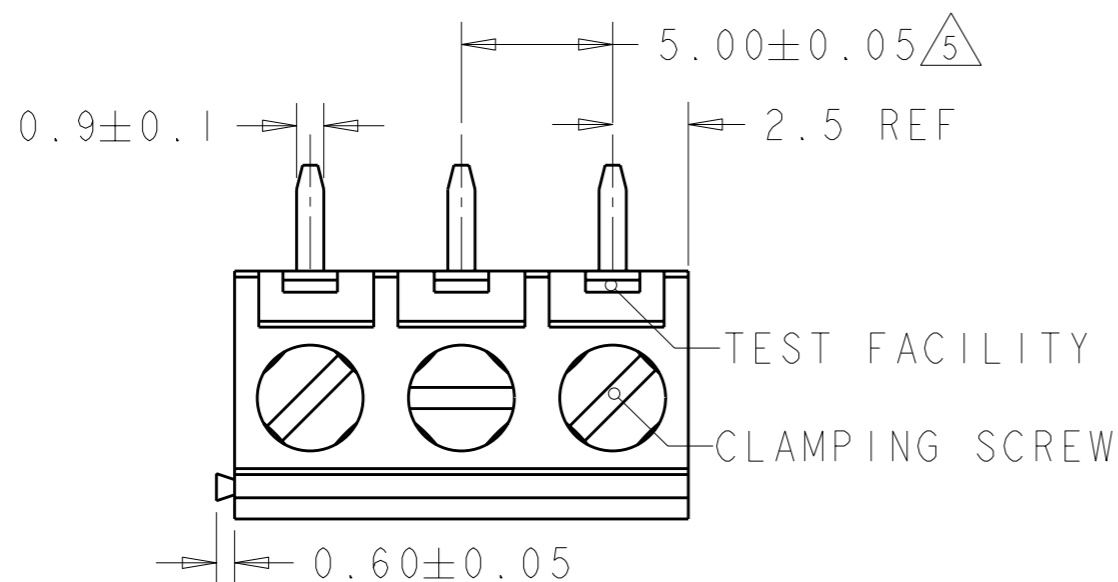
© COPYRIGHT 20 BY -

ALL RIGHTS RESERVED.

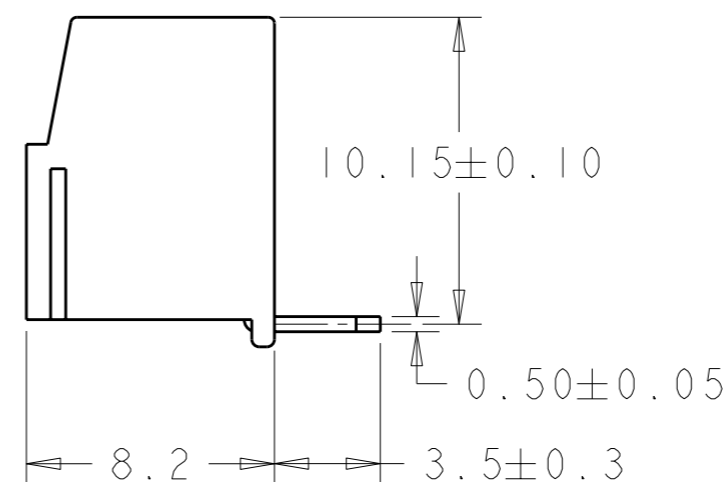
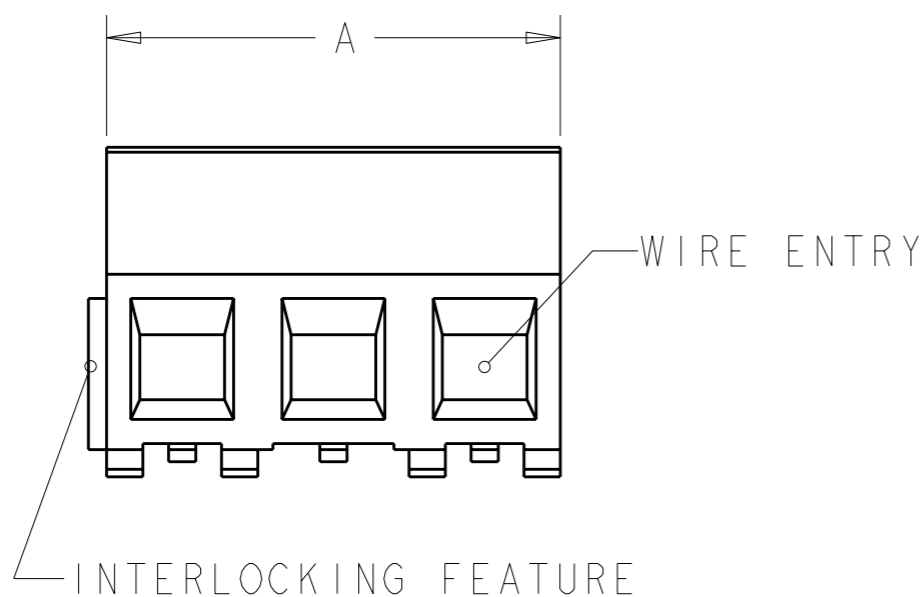
LOC	DIST
FT	0

REVISIONS

P	LTR	DESCRIPTION	DATE	DWN	APVD
	D2	REVISED PER ECO-11-005027	14MAR2011	RK	HMR

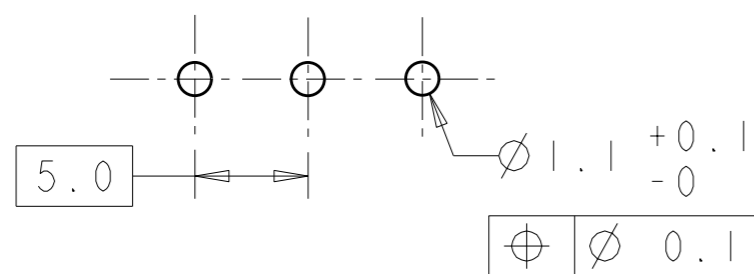


284093-3 AS SHOWN



DIM. A	N° OF POS.	PART NUMBER
125	25	2-284093-5
120	24	2-284093-4
115	23	2-284093-3
110	22	2-284093-2
105	21	2-284093-1
100	20	2-284093-0
95	19	1-284093-9
90	18	1-284093-8
85	17	1-284093-7
80	16	1-284093-6
75	15	1-282093-5
70	14	1-284093-4
65	13	1-284093-3
60	12	1-284093-2
55	11	1-284093-1
50	10	1-284093-0
45	9	284093-9
40	8	284093-8
35	7	284093-7
30	6	284093-6
25	5	284093-5
20	4	284093-4
15	3	284093-3
10	2	284093-2



RECOMMENDED PC BOARD LAYOUT




THIS DRAWING IS A CONTROLLED DOCUMENT.		DWN E. ZANOLINI IOSEP2001	TE Connectivity	
DIMENSIONS: mm		CHK D. BIEVENOUR IOSEP2001		
TOLERANCES UNLESS OTHERWISE SPECIFIED:		APVD D. BIEVENOUR IOSEP2001	NAME	
0 PLC ±.3		PRODUCT SPEC 10820166	TERMINAL BLOCK, PCB MOUNT	
1 PLC ±.25		APPLICATION SPEC 114-20079	TOP ENTRY WIRE, STACKING	
2 PLC ±.		WEIGHT -	W/INTERLOCK, 5.00mm PITCH	
3 PLC ±.		CUSTOMER DRAWING	SIZE A3	CAGE CODE 00779
4 PLC ±.		SCALE 4:1	DRAWING NO C-284093	RESTRICTED TO -
ANGLES ±2		SHEET 1 OF 2	REV D2	

THIS DRAWING IS UNPUBLISHED. RELEASED FOR PUBLICATION 20
 © COPYRIGHT 20 BY - ALL RIGHTS RESERVED.

LOC	DIST	REVISIONS			
P	LTR	DESCRIPTION	DATE	DWN	APVD
		SEE SHEET 1	-	-	-

- 1  MATERIALS AND FINISH
 HOUSING: PA 6-6, UL 94-V0, COLOR GREEN.
 CLAMP: BRASS, NICKEL PLATED.
 TERMINAL: BRASS, TIN PLATED.
 CLAMPING SCREW: M3, BRASS, NICKEL PLATED.
- 2 SUITABLE FOR 1,6-2,4mm PC BOARD THICKNESS.
- 3 END-TO-END STACKABLE W/INTERLOCK WITHOUT LOSS OF CENTERLINE SPACING.
- 4 WIRE SIZE RANGE
 SOLID WIRE: 0,03-1,5mm² (15AWG).
 STRANDED WIRE: 0,03-1mm² (17AWG).
- 5  NOT CUMULATIVE TOLERANCE.
- 6 PART COMPLIES WITH EN 60335-1.

THIS DRAWING IS A CONTROLLED DOCUMENT.		DWN E. ZANOLINI	10SEP2001		STE TE Connectivity
DIMENSIONS: mm		CHK D. BIEVENOUR	10SEP2001		
		APVD D. BIEVENOUR	10SEP2001		
		PRODUCT SPEC			
TOLERANCES UNLESS OTHERWISE SPECIFIED:		APPLICATION SPEC		NAME TERMINAL BLOCK, PCB MOUNT TOP ENTRY WIRE, STACKING W/INTERLOCK, 5.00mm PITCH	
0 PLC ±-		-		SIZE	
1 PLC ±-		-		CAGE CODE	
2 PLC ±-		-		DRAWING NO	
3 PLC ±-		-		RESTRICTED TO	
4 PLC ±-		-		A300779	
ANGLES ±2		-		C-284093	
MATERIAL -		WEIGHT -		SCALE 4:1	
FINISH -		CUSTOMER DRAWING		SHEET 2 OF 2	
				REV D2	