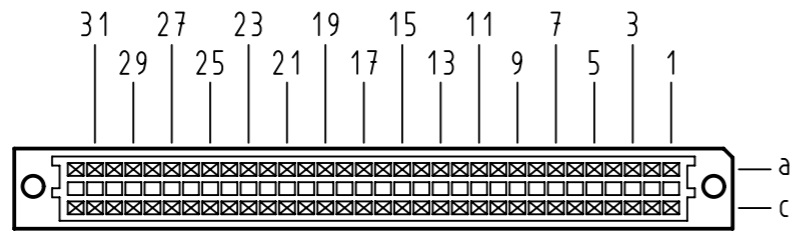


X
Kontaktanordnung
contact arrangement

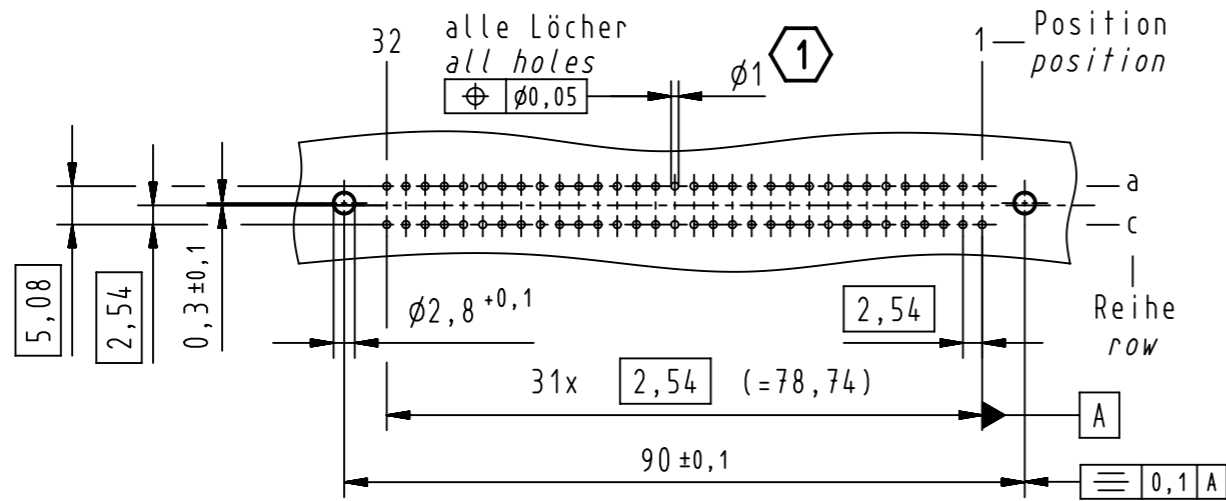


64 Einpress Kontakte
64 press-in contacts

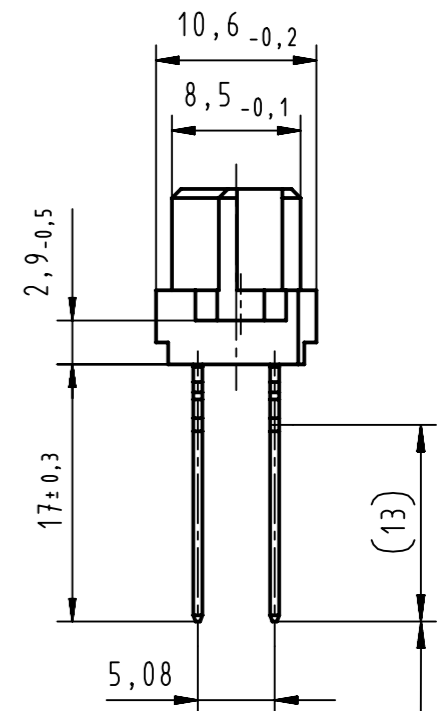
⊗ = Kontaktposition belegt
= position with contact

□ = Kontaktposition nicht belegt
= position without contact

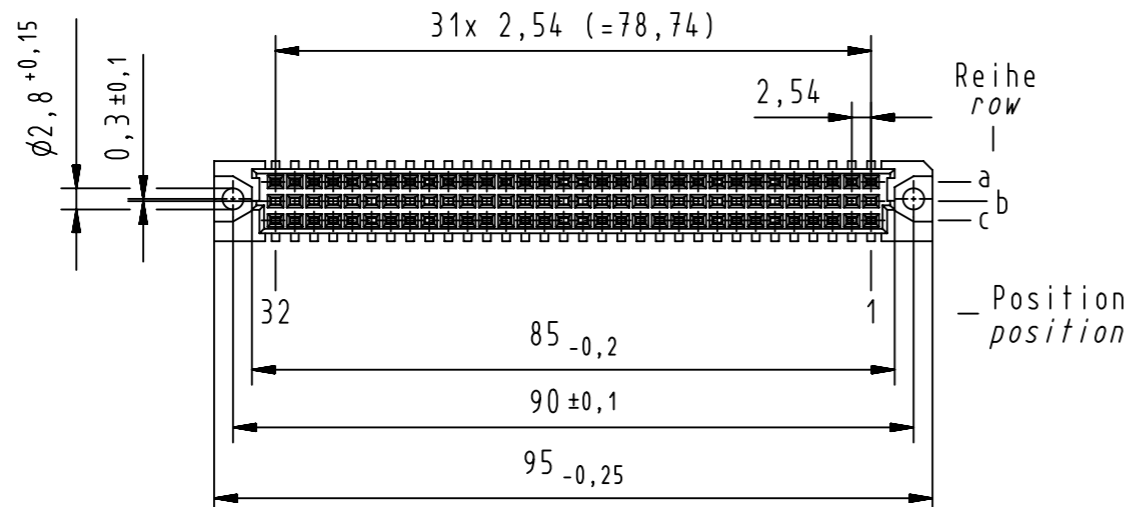
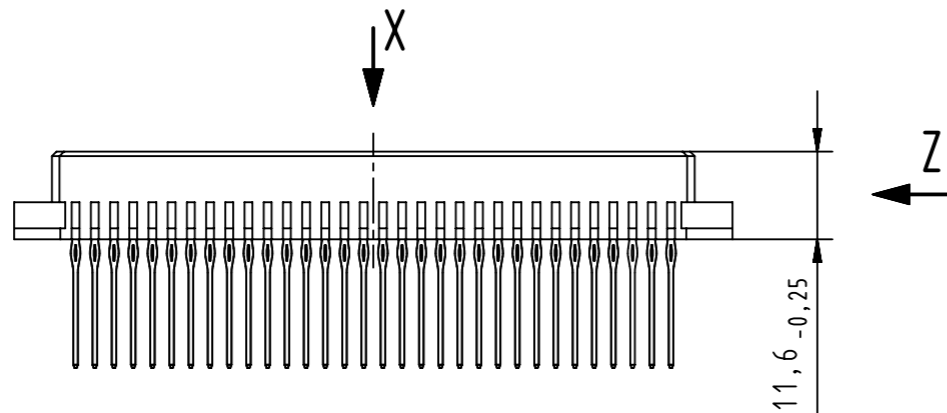
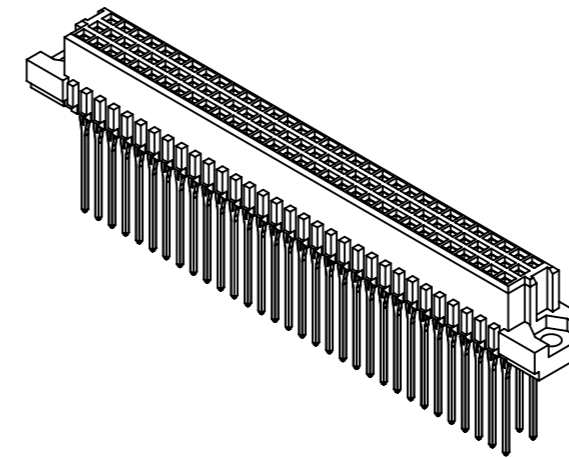
X
Lochbild
board drillings



Z (2:1)



Anschlussbereich für WW
termination zone for WW



①

Empfohlener Lochaufbau und
weitere Informationen siehe: DS 09 03 210 00 02
recommended configuration of plated through holes
and further information see: DS 09 03 210 00 02

09 03 264 6852	2
Bestell-Nr. part-no.	Anforderungsstufe performance level ①

	All rights reserved	Created by HAGEMEYERE	Inspected by LEHNERT	Standardisation HOFFMANN	Date 2013-01-15	State Final Release
	Department EC PD - DE	Title DIN Signal type C female press-in 17mm				Doc-Key / ECH-Nr. 100072194/UGD/057/B 50000057951
HARTING Electronics GmbH D-32339 Espelkamp		Type TB	Number 0903264X852		Rev. B	Page 1/1