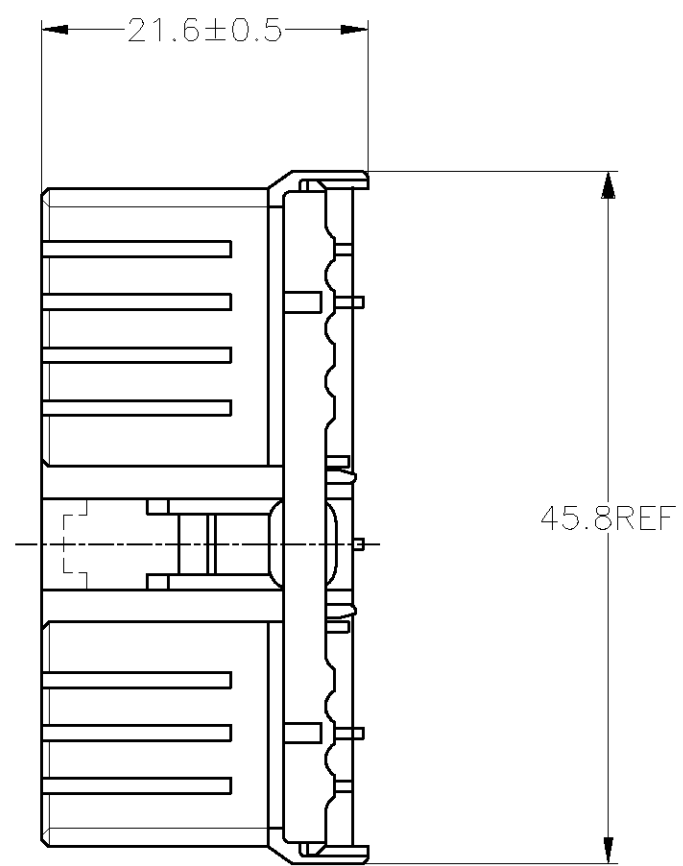
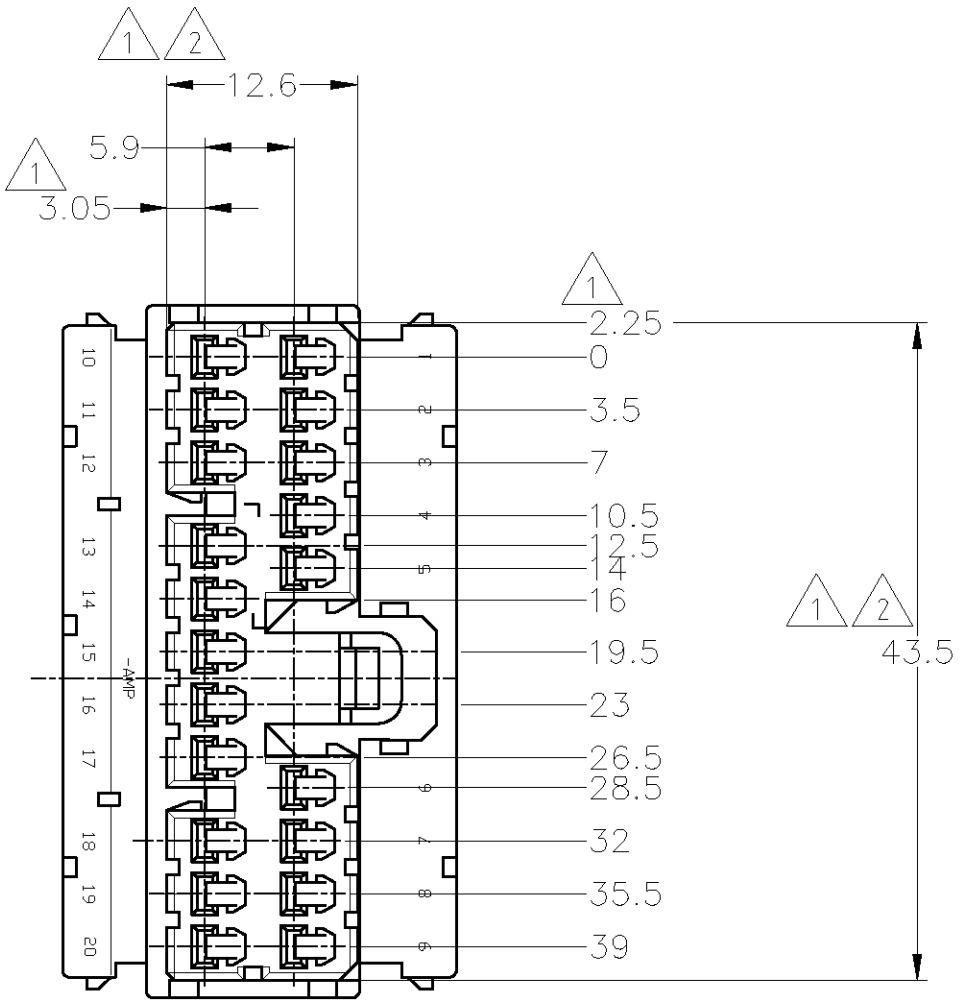
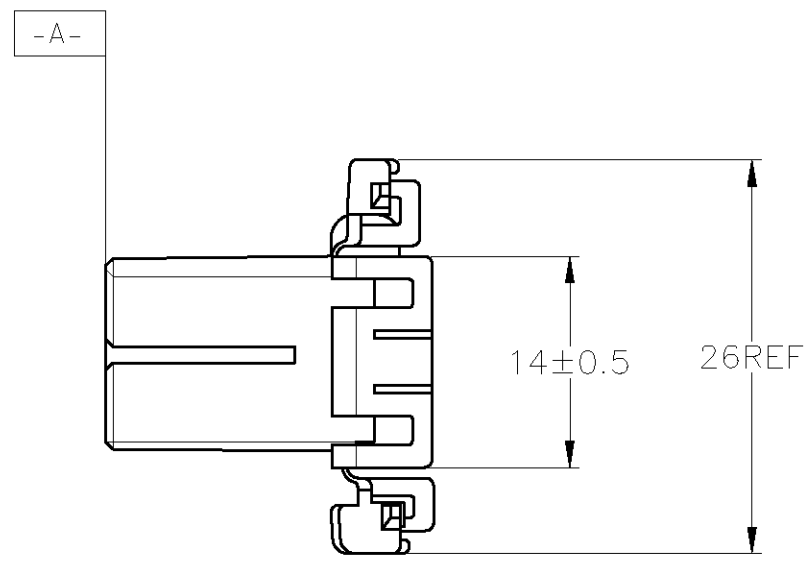


THIS DRAWING IS UNPUBLISHED. RELEASED FOR PUBLICATION
 © COPYRIGHT - By - ALL RIGHTS RESERVED.

LOC	DIST	REVISIONS					
		P	LTR	DESCRIPTION	DATE	DWN	APVD
J	-	E3	REVISED	ECR-12-021403	13DEC2012	TS	KB



- MUST BE KEPT BETWEEN -A- AND 2
 - TO BE MATED WITH PLUG HOUSING SMOOTHLY
 - APPLIED TAB CONTACT; P/N 173630 AND 173631
 - APPLIED CAP HOUSING; P/N 173936 etc
-
- A- 面より2mmの範囲で測定
 - 相手ハウジングと所定の機能を満足して嵌合できること
 - 内装するタブコンタクトは型番173630、173631
 - 嵌合相手ハウジング型番174936 他



V-2	自然色 (NATURAL)	1-174952-1
HB	黄 (YELLOW)	174952-7
	灰 (GRAY)	174952-6
	青 (BLUE)	174952-5
	緑 (GREEN)	174952-4
	自然色 (NATURAL)	174952-1
使用材料難燃グレード (FLAMMABILITY OF MATERIAL)		色 (COLOR) 型番 (PART NUMBER)

TOLERANCES UNLESS OTHERWISE SPECIFIED:

10 >	±0.2
30 >	±0.25
> 30	±0.3
ANGLE	3°

THIS DRAWING IS A CONTROLLED DOCUMENT.

DIMENSIONS:	TOLERANCES UNLESS OTHERWISE SPECIFIED:
mm	0 PLC ± -
	1 PLC ± -
	2 PLC ± -
	3 PLC ± -
	4 PLC ± -
MATERIAL	FINISH
PBT	-

DWN	S.FUJITA	09DEC08	TE Connectivity
CHK	K.BETSUI	09DEC08	
APVD	K.BETSUI	09DEC08	
PRODUCT SPEC	NAME		
APPLICATION SPEC	070 SERIES MULTILOCK CONNECTOR 20POSITION PULG HOUSING		RESTRICTED TO
WEIGHT	—	—	
CUSTOMER DRAWING			SCALE 2:1
A3 00779 C-174952			SHEET 1 OF 1
REV E3			