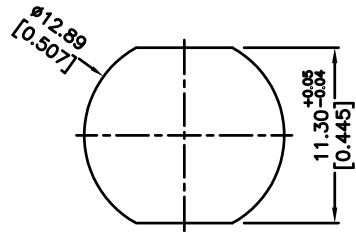
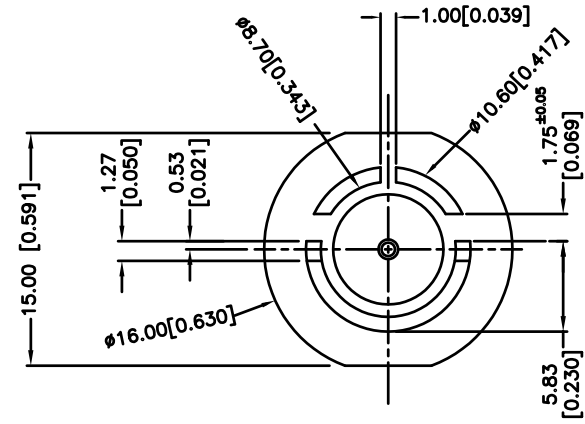
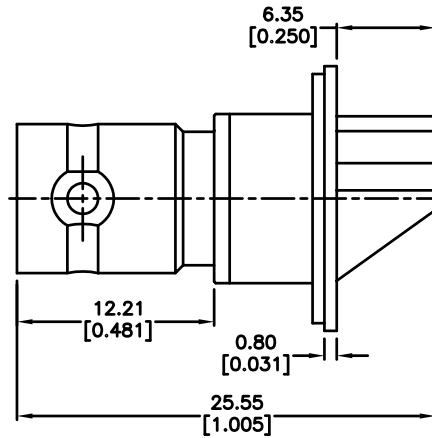
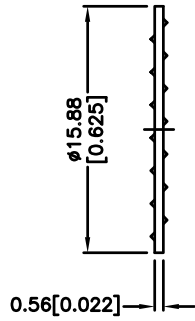
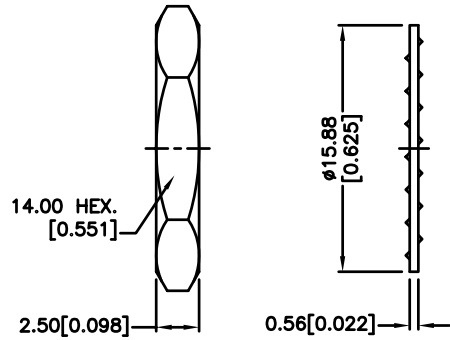
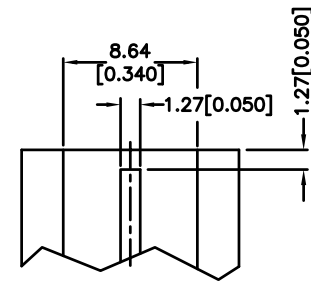
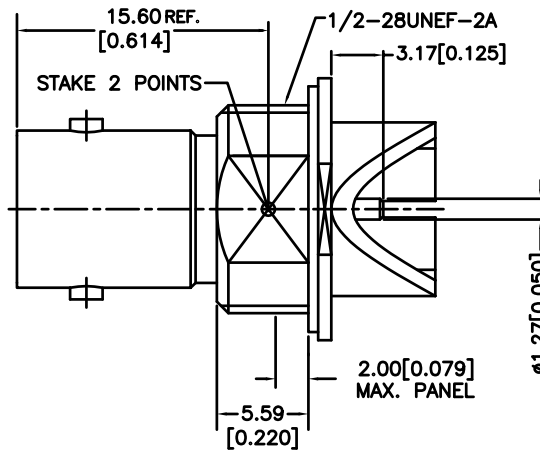


| REV. | DATE     | DESCRIPTION     |
|------|----------|-----------------|
| A    | 05/21/10 | RELEASE TO MFG. |



RECOMMENDED MOUNTING HOLE DIMENSIONS



RECOMMENDED PCB LAYOUT

| NO | DESCRIPTION | MATERIAL        | FINISH  | QTY |
|----|-------------|-----------------|---------|-----|
| 8  | HEX NUT     | BRASS           | NICKEL  | 1   |
| 7  | LOCK WASHER | BRASS           | NICKEL  | 1   |
| 6  | BODY        | BRASS           | GOLD    | 1   |
| 5  | INSULATOR   | TEFLON          | NATURAL | 1   |
| 4  | HOUSING     | BRASS           | GOLD    | 1   |
| 3  | CONTACT PIN | PHOSPHOR BRONZE | GOLD    | 1   |
| 2  | INSULATOR   | TEFLON          | NATURAL | 1   |
| 1  | BODY        | BRASS           | GOLD    | 1   |

UNLESS OTHERWISE SPECIFIED DIMENSIONS ARE IN MILLIMETERS. DIMENSIONS IN [ ] ARE IN INCHES AND FOR CUSTOMER REFERENCE ONLY.

UNLESS OTHERWISE SPECIFIED TOLERANCES FOR MILLIMETERS ARE:  
0.5 - 8mm ± 0.20mm  
8 - 30mm ± 0.40mm  
30 - 120mm ± 0.50mm

UNLESS OTHERWISE SPECIFIED TOLERANCES FOR INCHES ARE:  
.020 - .315 = ± 0.007"  
.315 - 1.180 = ± 0.015"  
1.180 - 4.724 = ± 0.020"

DO NOT SCALE DRAWING

| APPROVALS                     | DATE     |
|-------------------------------|----------|
| DRAWN CLEMENT                 | 05/21/10 |
| CHECKED                       |          |
| ISSUED                        |          |
| SHEET 1 OF 1                  |          |
| CAD FILE C:\112\112806-75.DWG |          |

| AMPHENOL CONNEX   |               |       |    |
|---|---------------|-------|----|
| PART DESCRIPTION<br>BNC ISOLATED,END LAUNCH RECEPT.JACK |               |       |    |
| PART NO.<br>112806-75                                   |               |       |    |
| DWG. NO.  | 112806-75.DWG | REV.  | A  |
| SIZE  | A             | SCALE | NA |