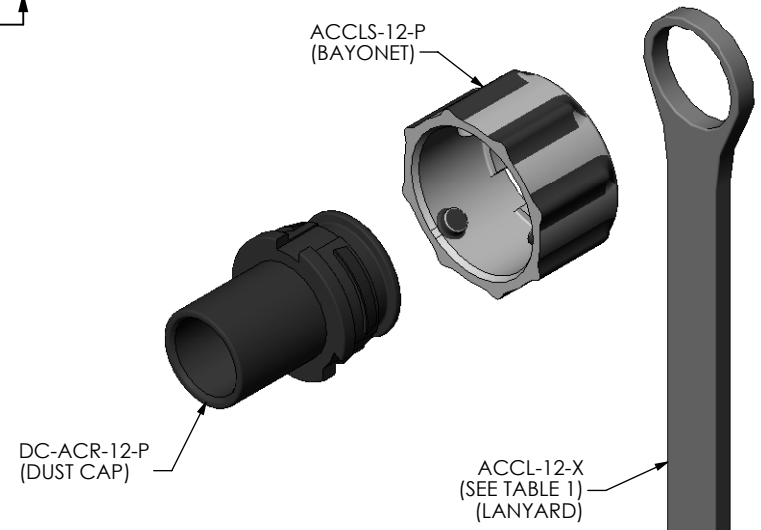
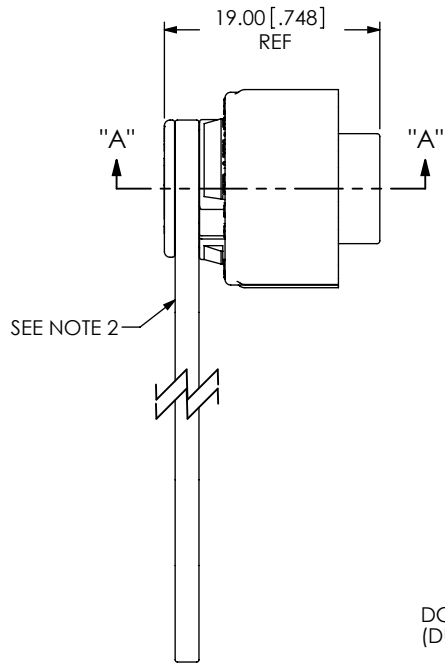
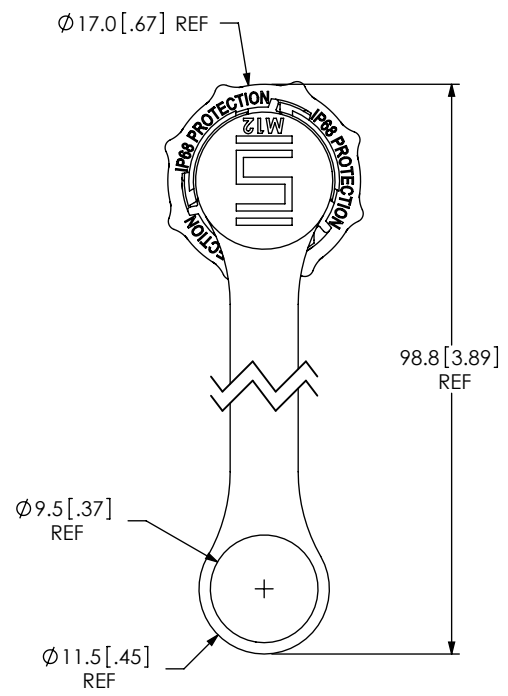


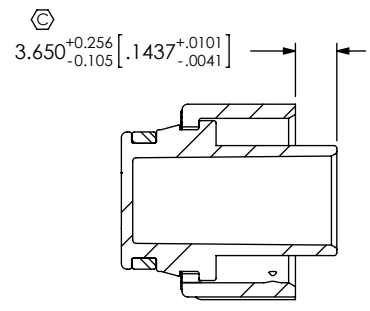
DO NOT SCALE FROM THIS PRINT

DESIGNED & DIMENSIONED IN MILLIMETERS [INCHES]

DCA-ACR-12-P-X  
 RECEPTACLE  
 SIZE  
 PLASTIC  
 KEYING FEATURE COLOR  
 -1: ORANGE  
 -2: GREEN  
 -3: BLUE  
 -4: YELLOW



APPLICATION VIEW




SECTION "A"- "A"

TABLE 1

CORRESPONDING CABLE PART NUMBER	KEYING FEATURE COLOR	ACCL-12-X
ACR-12-XX-X-XX.XX-X-XX-P-1	-1	ACCL-12-1
ACR-12-XX-X-XX.XX-X-XX-P-2	-2	ACCL-12-2
ACR-12-XX-X-XX.XX-X-XX-P-3	-3	ACCL-12-3
ACR-12-XX-X-XX.XX-X-XX-P-4	-4	ACCL-12-4

NOTES:

- ⊕ REPRESENTS A CRITICAL DIMENSION
- ⊕ ACCL-12-X MUST SEAT IN GROOVE IN DC-ACR-12-P.

UNLESS OTHERWISE SPECIFIED, DIMENSIONS ARE IN MILLIMETERS. TOLERANCES ARE: DECIMALS ANGLES X.X: ±0.3 [.01] 2° X.XX: ±0.08 [.003] X.XXX: ±0.051 [.0020]	PROPRIETARY NOTE THIS DOCUMENT CONTAINS INFORMATION CONFIDENTIAL AND PROPRIETARY TO SAMTEC, INC. AND SHALL NOT BE REPRODUCED OR TRANSFERRED TO OTHER DOCUMENTS OR DISCLOSED TO OTHERS OR USED FOR ANY PURPOSE OTHER THAN THAT WHICH IT WAS OBTAINED WITHOUT THE EXPRESSED WRITTEN CONSENT OF SAMTEC, INC.	 520 PARK EAST BLVD, NEW ALBANY, IN 47150 PHONE: 812-944-6733 FAX: 812-948-5047 e-Mail: info@SAMTEC.com code 53322	
		MATERIAL: DO NOT SCALE DRAWING SHEET SCALE: 1.5:1 DC-ACR-12-P: NYLON, COLOR: BLACK ACCLS-12-P: NYLON, COLOR: BLACK ACCL-12-X: SILICONE	
		DESCRIPTION: ACCLIMATE CIRC. PANEL DUST CAP	
		DWG. NO. DCA-ACR-12-P-X	
		BY: D.SCHMELZ 09/16/2010 SHEET 1 OF 1	