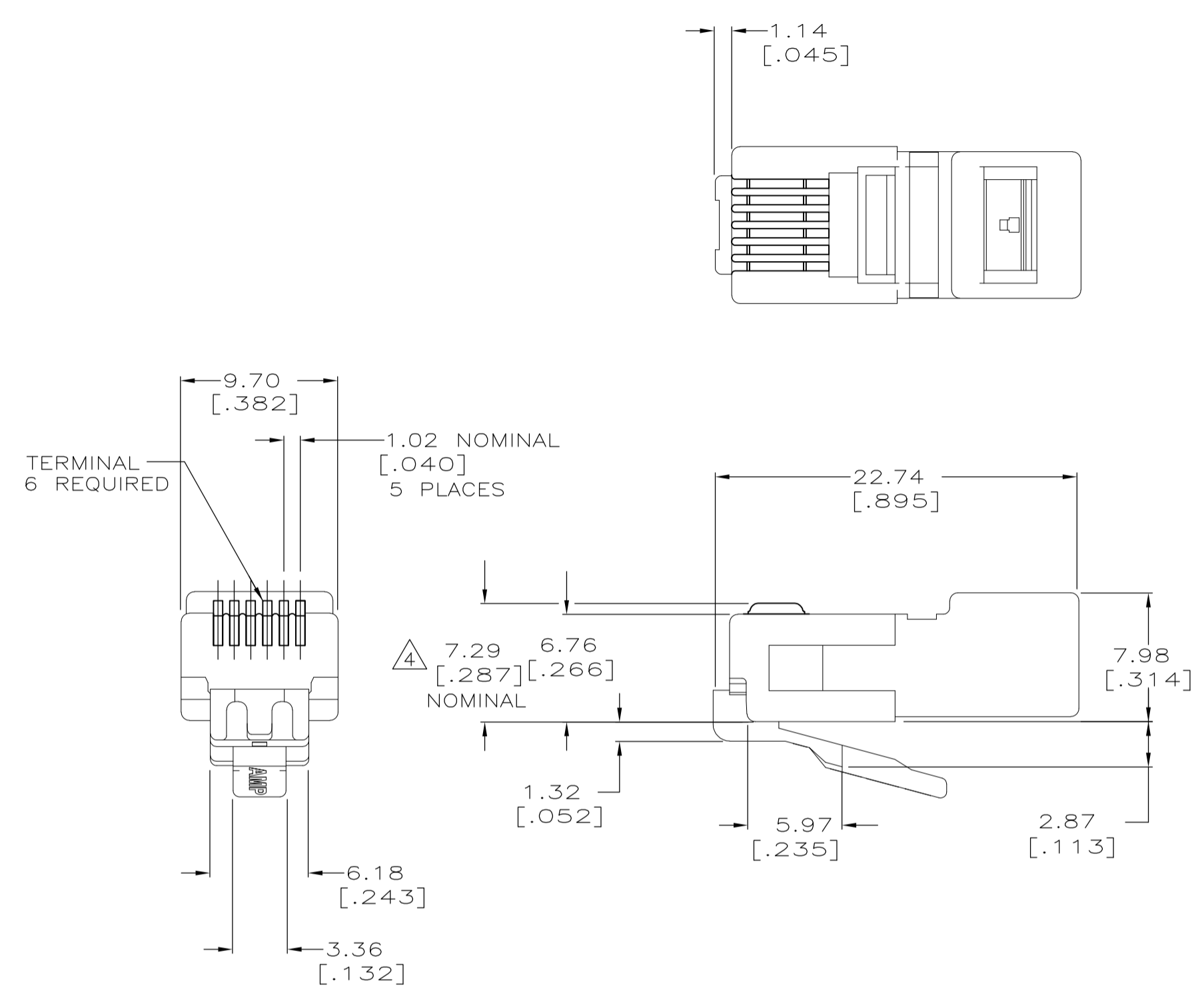


LOC		DIST		REVISIONS			
P	LTR	DESCRIPTION	DATE	DWN	APVD		
HM	00	K	REV PER ECO-12-012918	05JUL2012	JM	JG	



1 MATERIAL: HOUSING—POLYCARBONATE, CLEAR
 TERMINAL—.014 THICK PHOSPHOR BRONZE, PLATED
 WITH 1.27 μ m [.000050] MINIMUM THICK
 GOLD IN LOCALIZED GOLD PLATE AREA, OVER
 2.54 μ m [.000100] MINIMUM THICK NICKEL
 UNDERPLATE.

2. ALL DIMENSIONS SHOWN ARE MAXIMUM UNLESS
 OTHERWISE SPECIFIED.

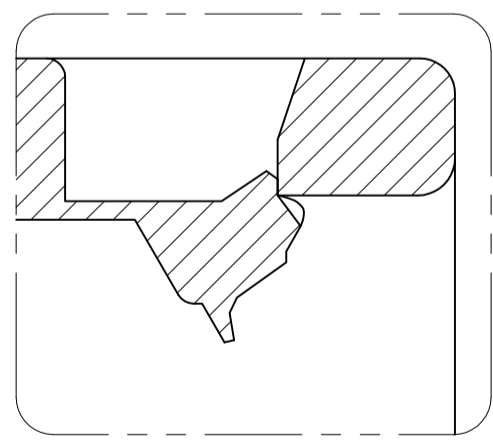
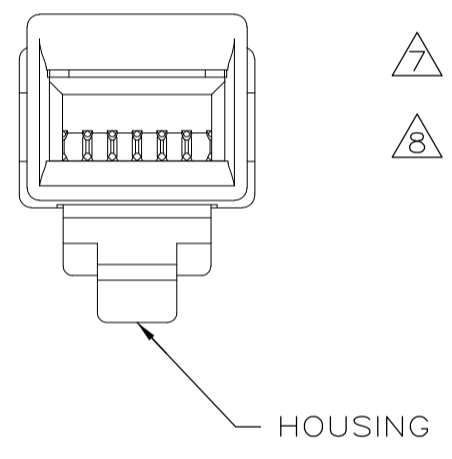
3. PLUG WILL ACCEPT 0.737[.029] – 0.99[.039] DIAMETER
 STRANDED WIRE, 26 OR 28 AWG WITH A 2.29 [.090] X
 6.60 [.260] JACKET.

4 TERMINATED DIMENSION 6.15 [.242]
 MAXIMUM.

5 LATCH SHALL BE IN POSITION SHOWN IN DETAIL A
 AFTER CRIMPING.

7 500 ASSEMBLIES PER PACKAGE.

8 100 ASSEMBLIES PER PACKAGE.



DETAIL A
 SCALE 10:1

8	5-555176-3
7	5-555176-2
PACKAGED	PART NO

THIS DRAWING IS A CONTROLLED DOCUMENT.		DWN L. HALL 12DEC2007	Tyco Electronics Corporation Harrisburg, PA 17105-3608	
DIMENSIONS: mm [INCHES]		CHK B. MCNEILL 13DEC2007	NAME	
TOLERANCES UNLESS OTHERWISE SPECIFIED:		APVD B. MCNEILL 13DEC2007	PRODUCT SPEC	
0 PLC ± -		APPLICATION SPEC		
1 PLC ± -		WEIGHT		
2 PLC ± -		SIZE CAGE CODE DRAWING NO		
3 PLC ± -		A2 00779 555176		
4 PLC ± -		RESTRICTED TO		
ANGLES ± -		CUSTOMER DRAWING		
FINISH		SCALE 4:1 SHEET 1 OF 1 REV K		