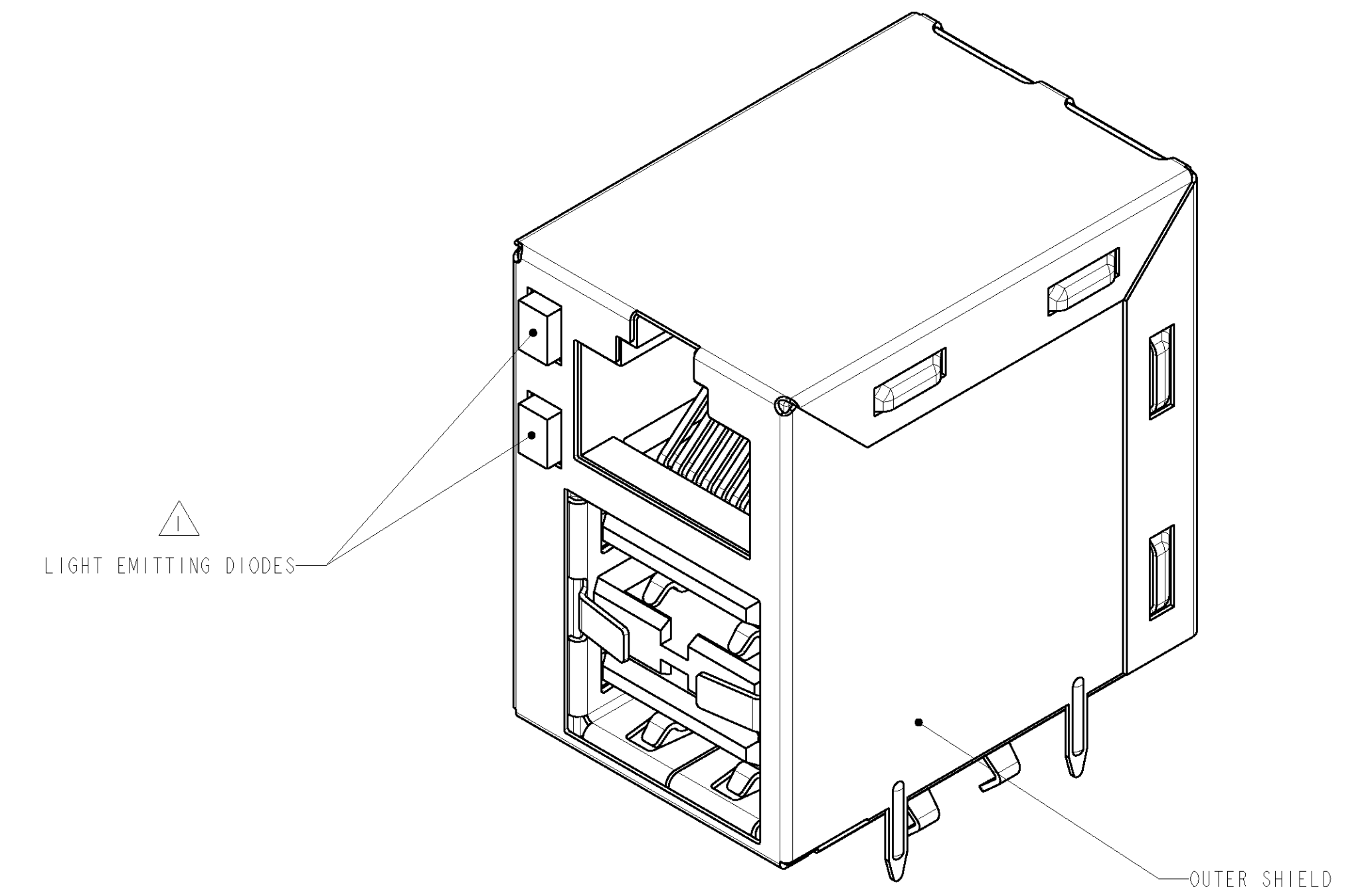
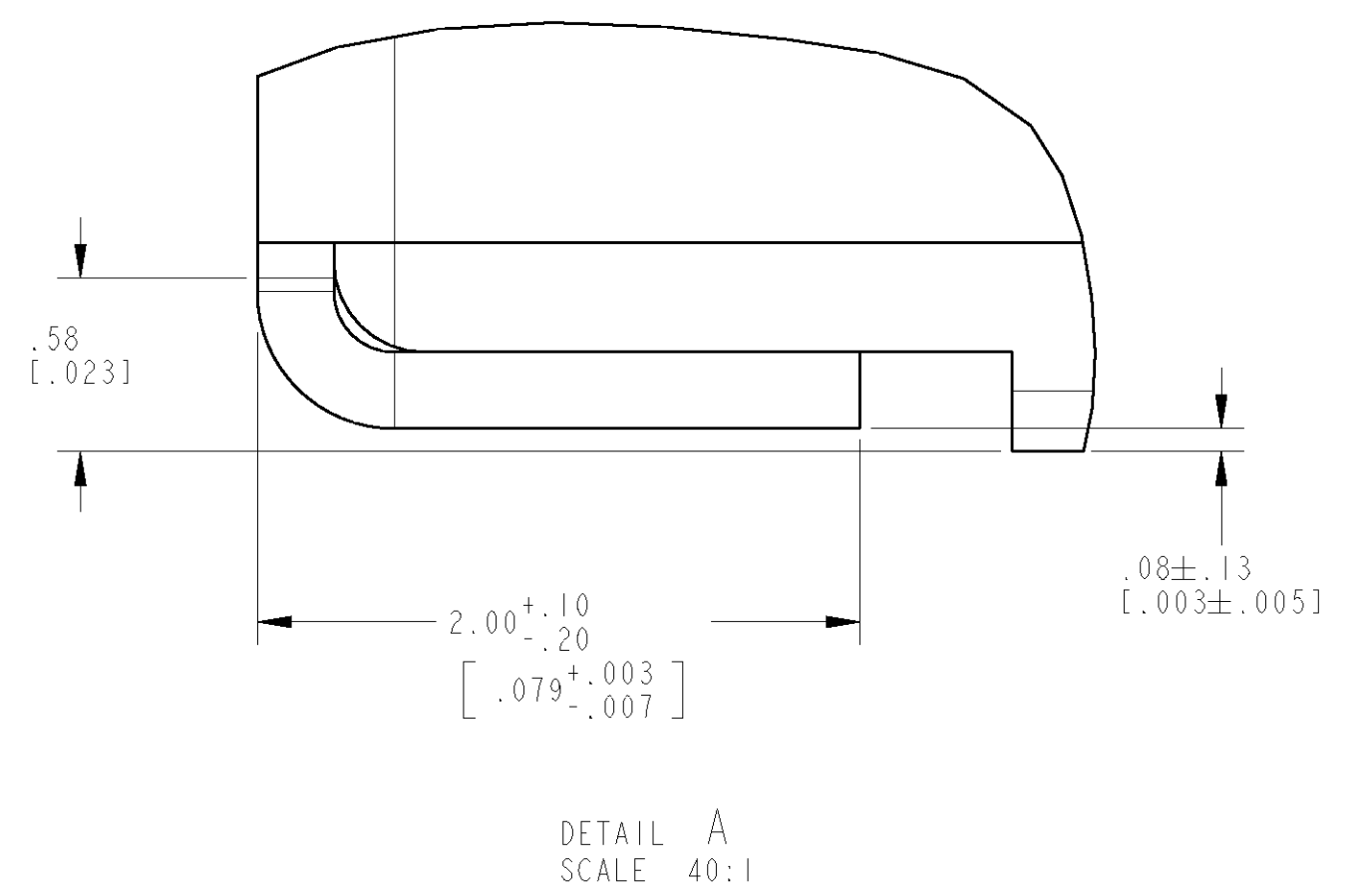
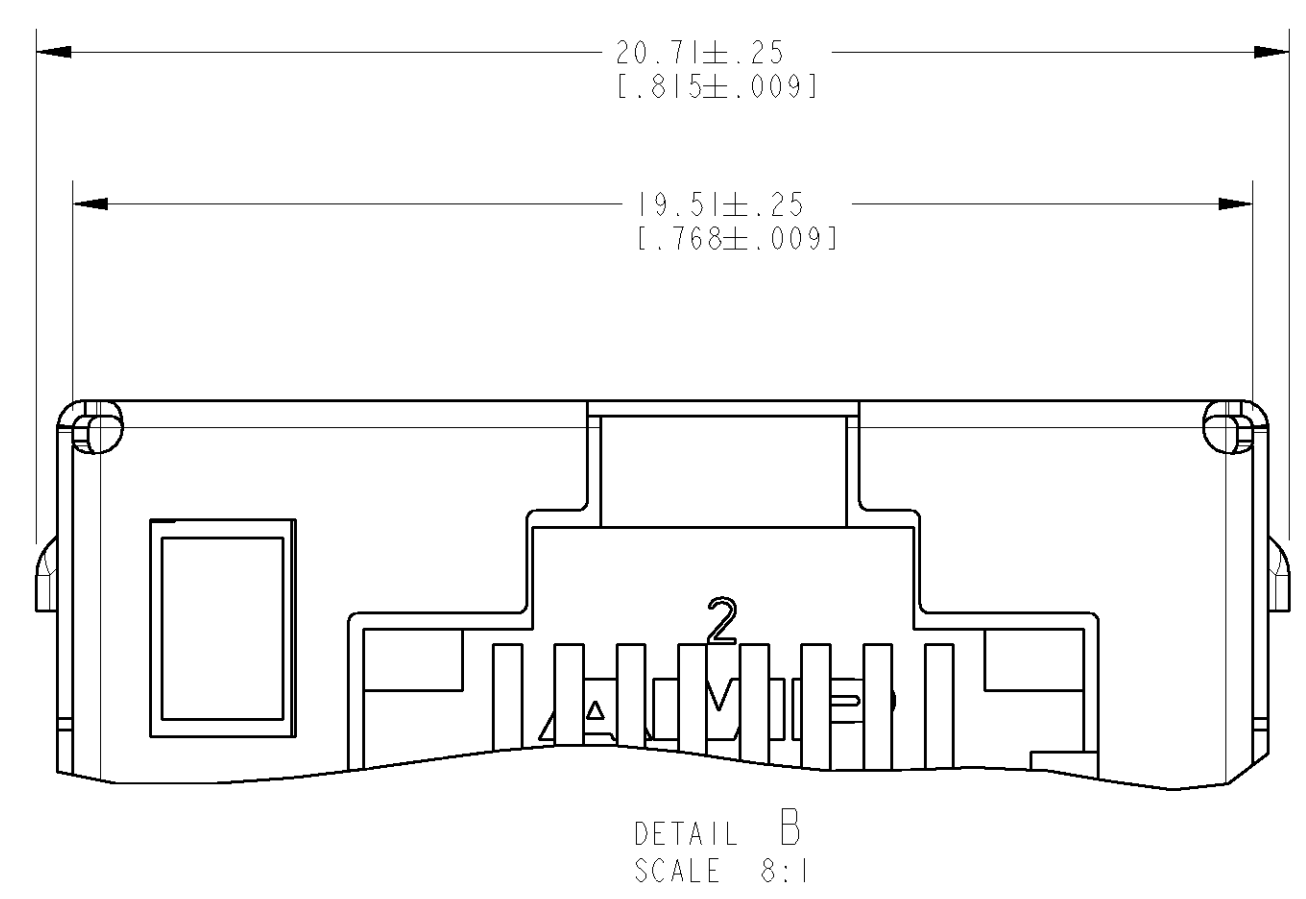
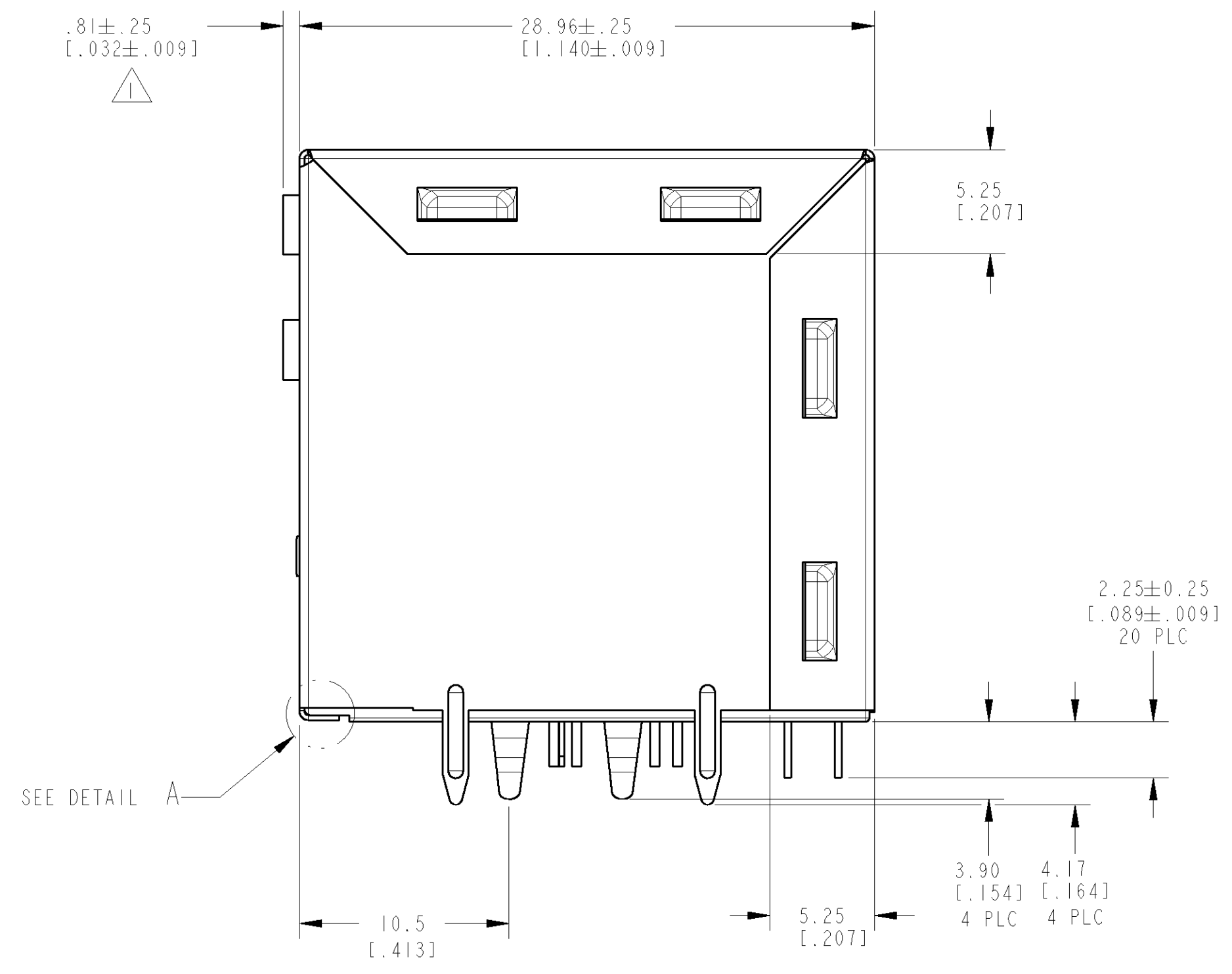
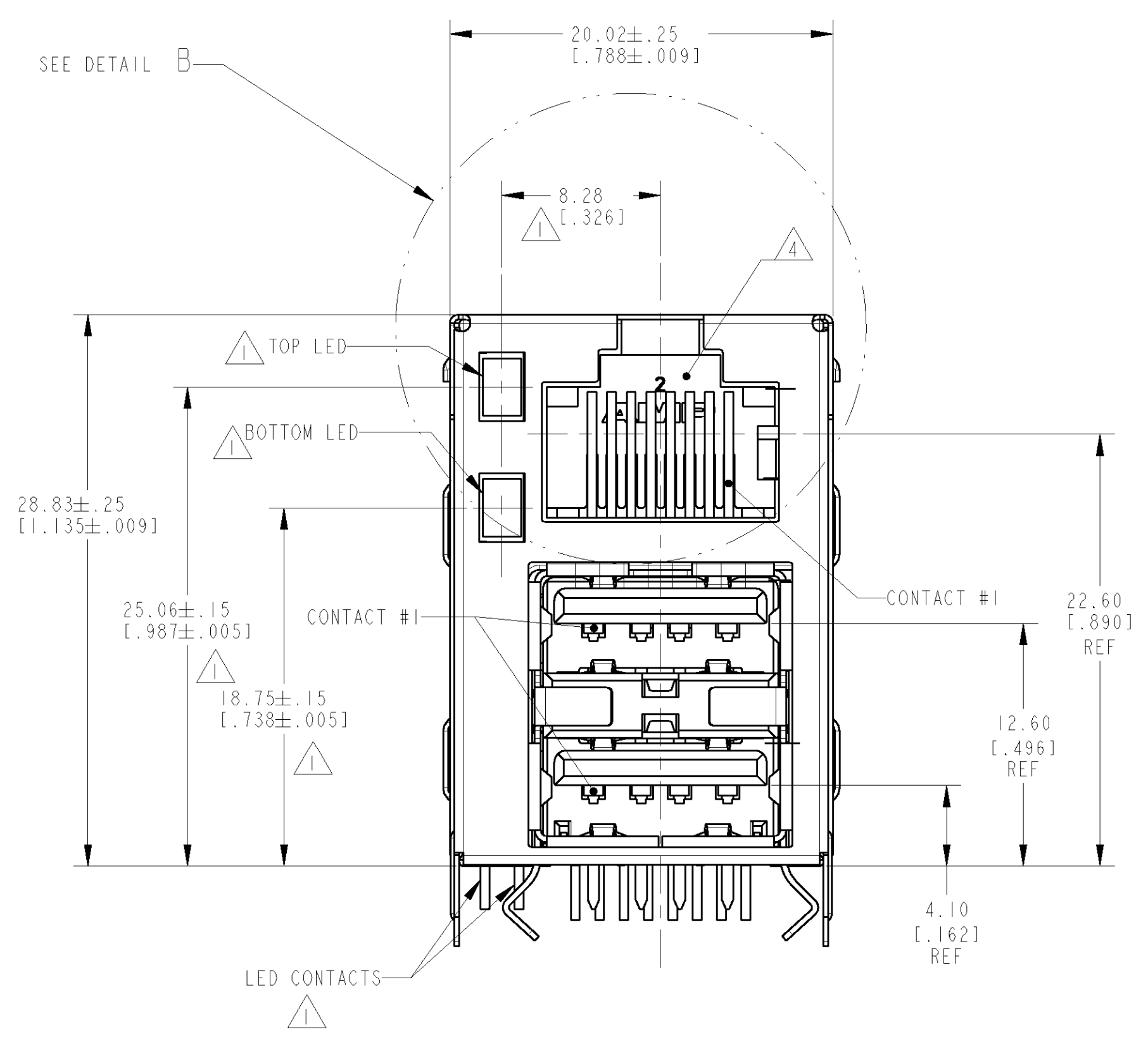


- 1 6116151-2 & 6116151-4 ONLY.
- 2 DATUM AND BASIC DIMENSION ESTABLISHED BY CUSTOMER.
- 3 RECOMMENDED PC BOARD THICKNESS OF 1.57[.062].
- 4 RJ45 JACK CAVITY CONFORMS TO FCC RULES AND REGULATIONS, PART 68 SUBPART F.
- 5 MATERIAL:

HOUSING: PLASTIC HOUSINGS: UL94V-0/5V THERMOPLASTIC, SEE TABLE FOR COLOR.
 TERMINAL: USB: 0.251±0.013 THICK PHOSPHOR BRONZE PLATED WITH 1.27µm NICKEL. 1IN LOCALIZED GOLD PLATE AREA 0.076µm MIN GOLD OVER 0.76µm MIN PALLADIUM-NICKEL IS ADDED OVER NICKEL UNDERPLATE. IN SOLDER AREA 3.8µm MIN TIN IS ADDED OVER NICKEL UNDERPLATE.
 RJ45: 0.318 THICK PHOSPHOR BRONZE PLATED WITH 1.27µm MIN THICK NICKEL. IN LOCALIZED GOLD PLATE AREA 1.27µm MIN THICK GOLD IS ADDED OVER NICKEL UNDERPLATE. IN SOLDER AREA 3.8µm MIN TIN IS ADDED OVER NICKEL UNDERPLATE.
 LED: 0.5 DIAMETER CARBON STEEL LEADS PREPLATED WITH 8.89 µm THICK Sn/Cu, OVER 2.03 µm THICK Ag, OVER 1.02 µm THICK Cu, OVER 3.56 µm THICK Ni, OVER 1.02 µm Cu UNDERPLATE
 SHIELD: OUTER: 0.254 THICK COPPER-ZINC ALLOY PREPLATED WITH TIN 2µm TO 3.8µm THICK
 INNER: 0.318 THICK COPPER-ZINC ALLOY PREPLATED WITH TIN 2µm TO 3.8µm THICK
 USB: 0.318 THICK PHOSPHOR-BRONZE PREPLATED WITH 5.1µm MIN TIN

6 OBSOLETE PARTS: OBSOLETE CIS STREAMLINING PER D.RENAUD/D.SINISI

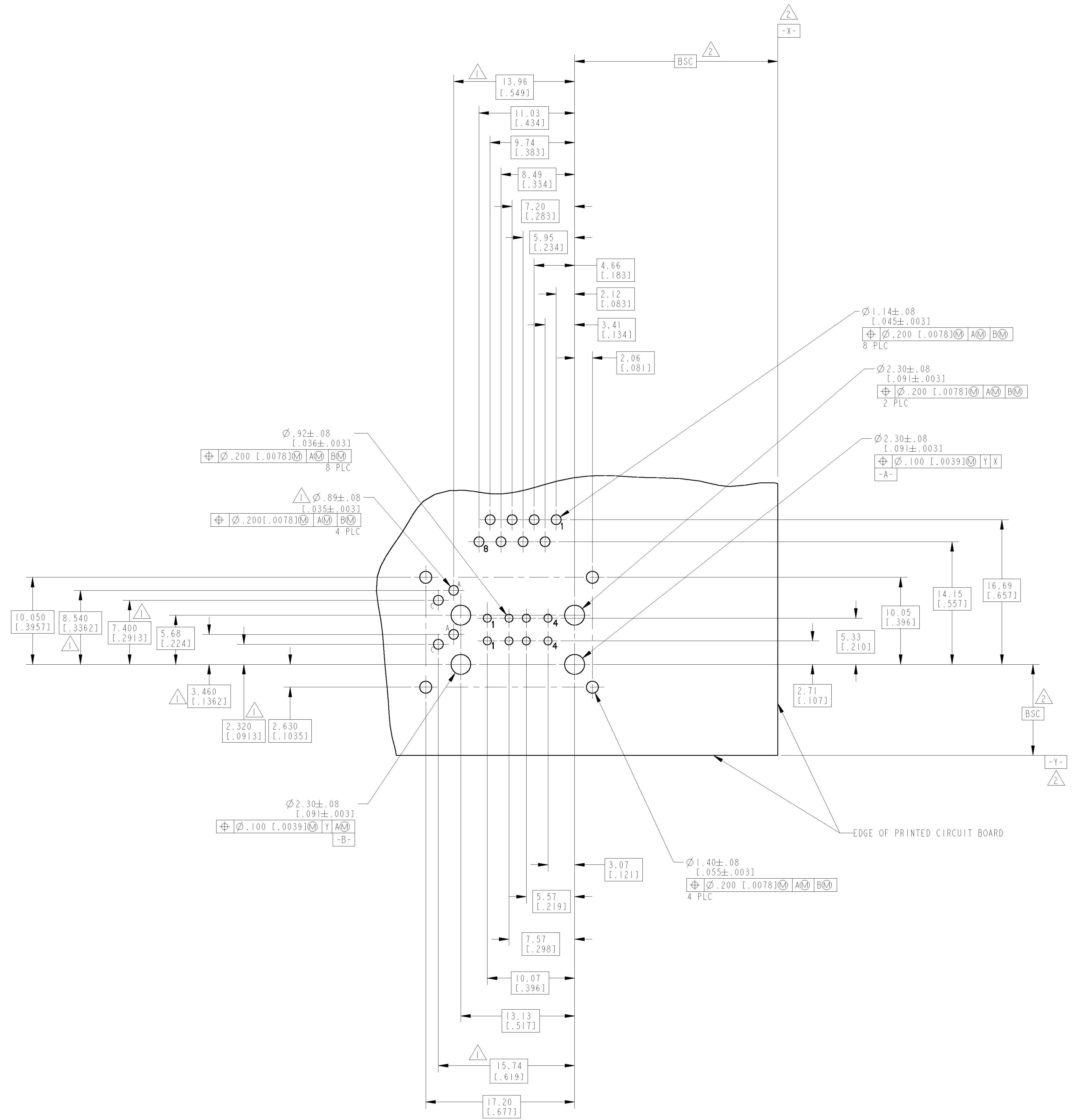


P/N 6116151-2 & 6116151-4 WITH LEDS

6 OBSOLETE	GREEN	GREEN	BLACK	6116151-4
	NO LED	NO LED	TURQUOISE	6116151-3
	YELLOW	GREEN	BLACK	6116151-2
	NO LED	NO LED	BLACK	6116151-1
	BOTTOM LED	TOP LED	HOUSING COLOR	PART NUMBER

DIMENSIONS: mm [INCHES]	TOLERANCES UNLESS OTHERWISE SPECIFIED:	0 PLC ±	1 PLC ±	2 PLC ±	3 PLC ±	4 PLC ±	ANGLES ±	FINISH ±
		±	±	±0.13(.005)	±	±	±	±

DRN: H/L A. MAYER	DATE: 14APR2005	NAME: ASSEMBLY, RJ-45 MODULAR JACK OVER STACKED USB RECEPTACLE, WITH LEDS AND WITHOUT LEDS
CHK: J. WESTMAN	DATE: 14APR2005	PRODUCT SPEC: -
APPD: S. FLICKINGER	DATE: 14APR2005	APPLICATION SPEC: -
MATERIAL: SEE NOTE 5	FINISH: SEE NOTE 5	WEIGHT: -
CUSTOMER DRAWING		SCALE: 4:1



RECOMMENDED PCB LAYOUT ³

DIMENSIONS: mm [INCHES]		TOLERANCES UNLESS OTHERWISE SPECIFIED:		DWN: H/L A. MAYER ENR: J. WESTMAN APVD: S. FLICKINGER		DATE: 14 APR 2005		NAME: S. FLICKINGER		TE Connectivity	
		0 PLC ± 1 PLC ± 2 PLC ±0.13(0.005) 3 PLC ± 4 PLC ± ANGLES ±1°		PRODUCT SPEC		APPLICATION SPEC		SIZE: CAGE CODE: DRAWING NO:		RESTRICTED TO:	
MATERIAL: SEE NOTE 5		FINISH: SEE NOTE 5		WEIGHT: -		A 00779 C=6116151		SCALE: 4:1		SHEET 2 OF 2 REV B2	
CUSTOMER DRAWING											