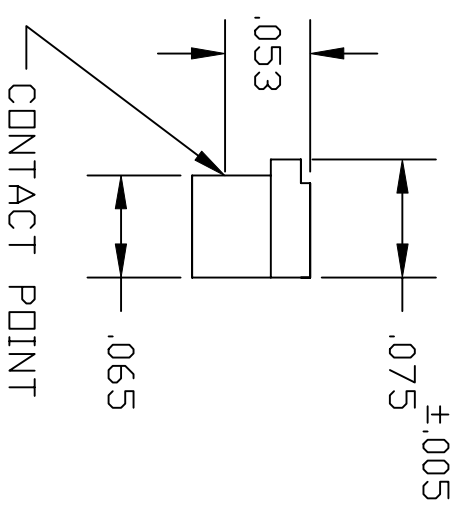
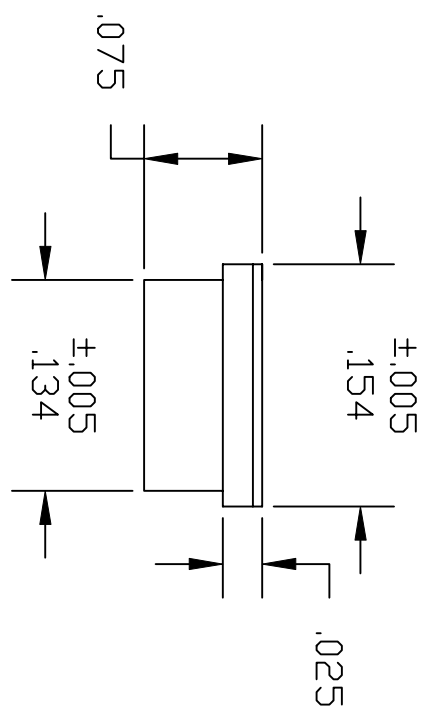


DESCRIPTION: 2MM SHUNT LOW PROFILE, .075" 15 MICRINCH GOLD



MATERIAL: HOUSING: GLASS FILLED THERMOPLASTIC, UL 94V-0, BLACK  
 CONTACT: HIGH PERFORMANCE COPPER ALLOY

PLATING: 15 MICRONS INCHES PALLADIUM/NICKEL WITH GOLD FLASH OVERALL

ELECTRICALS: CURRENT RATING: 1.0 AMPERE MAX.  
 CONTACT RESISTANCE: 30 MILLIOHM MAX.  
 DMV: 500 Vrms MIN.  
 INSULATION RESISTANCE: 1 X 10<sup>4</sup> MOHMS  
 OPERATING TEMP: -55°C TO 105°C



THESE DRAWINGS AND SPECIFICATIONS ARE THE PROPERTY OF NorComp AND SHALL NOT BE REPRODUCED, COPIED OR USED AS THE BASIS FOR THE MANUFACTURE OF APPARATUS WITHOUT WRITTEN PERMISSION.

**NorComp**

DRAWN: PAM JENKINS	DATE: 12-13-01
CHECKED:	DATE:
SCALE:	SHEET 1 OF 1
DWG NO. 800-002-LP1-001	REV 1