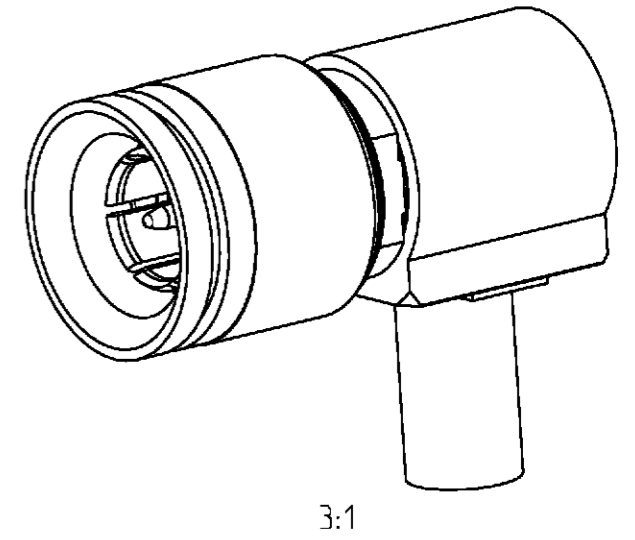
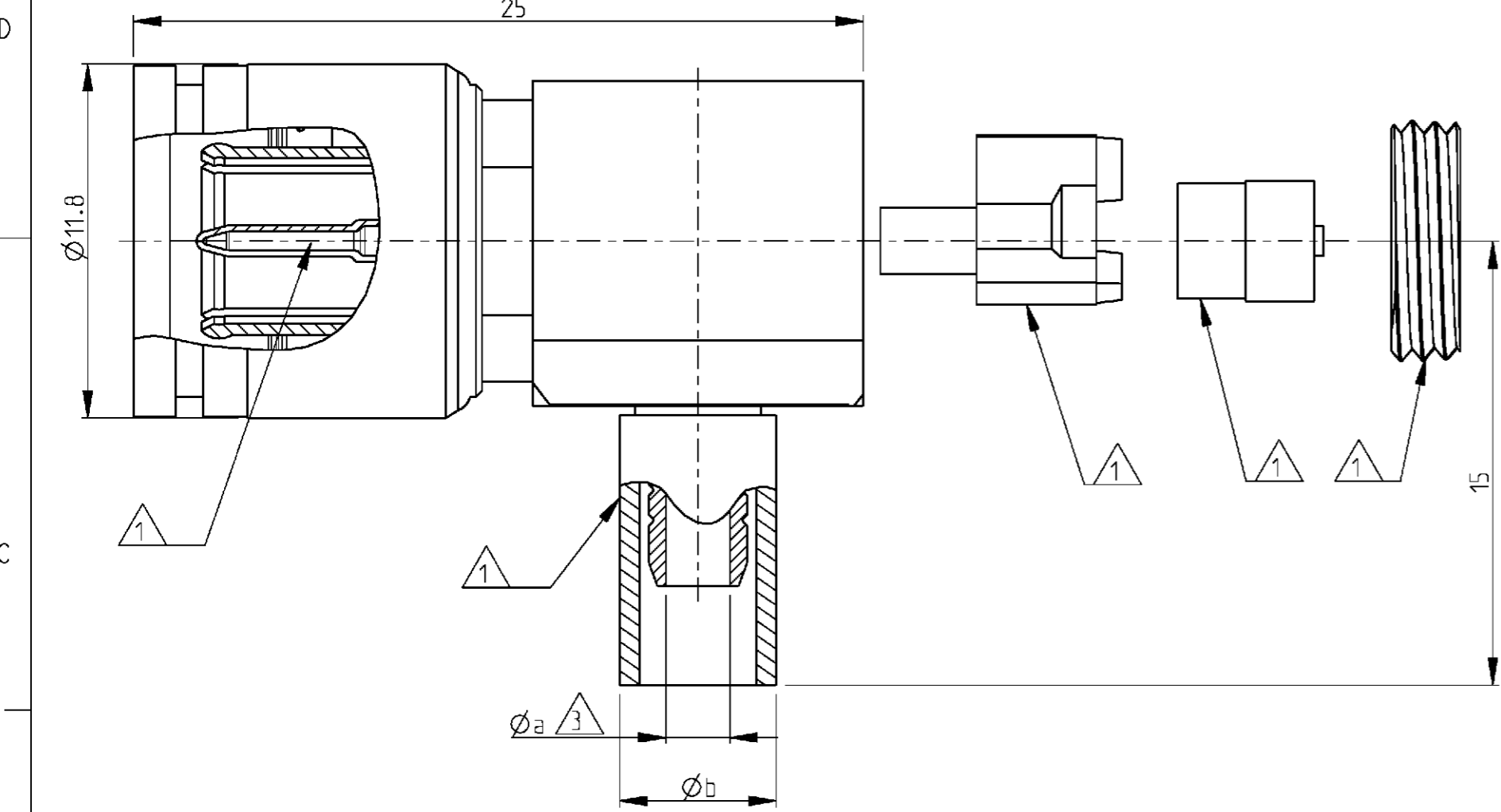


THIS DRAWING IS UNPUBLISHED. RELEASED FOR PUBLICATION 2000  
 © COPYRIGHT 2000 BY TYCO ELECTRONICS CORPORATION. ALL RIGHTS RESERVED.

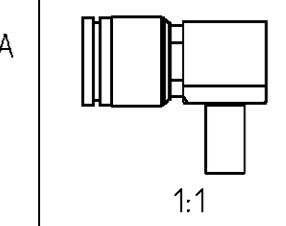
LOC	DIST	REVISIONS				
P	LTR	DESCRIPTION	DATE	DWN	APVD	
GW	-	A	-	5APR2001	BL	KM
		A1	REV PER ECO-09-026495	30NOV09	KK	AEG



- 5 OBSOLETE PARTS: OBSOLETE CIS STREAMLINING PER D.RENAUD/D.SINISI
  - 4 Packed ib tray
  - 3 Minimum dimension.
  - 2) Mating face according to DIN 47295/CECC 22240.
  - 1 Supplied as loose part.
- All dimensions are maximum unless otherwise specified.

5 OBSOLETE

Old part number	Tyco part number	Description	Material	Plating	Cable type	Øa	Øb
V23612-A202-P76A	<del>2-1393680-0</del>	Outer conductor	CuBe	1 µm Au min in contact area	02Y (sT) CY 0.45/2.0	2.15	5.2
		Center conductor	CuSn6/CuBe	1 µm Au min in contact area			
		Dielectric	PEEK/PC	-			
V23612-A202-P76	1393672-5	Outer conductor	CuBe	1 µm Au min in contact area	02Y (sT) CY 0.45/2.0	2.15	5.2
		Center conductor	CuSn6/CuBe	1 µm Au min in contact area			
		Dielectric	PEEK/PC	-			



<small>THIS DRAWING IS A CONTROLLED DOCUMENT FOR TYCO ELECTRONICS CORPORATION. IT IS SUBJECT TO CHANGE AND THE CONTROLLING ENGINEERING ORGANIZATION SHOULD BE CONTACTED FOR THE LATEST REVISION.</small>		DWN B. Lenvain 23FEB2001 CHK K. Mattheeuws 5APR2001 APVD R. Leeman 5APR2001		<b>tyco Electronics</b> Tyco Electronics Oostkamp - Belgium	
DIMENSIONS: mm 		TOLERANCES UNLESS OTHERWISE SPECIFIED: 0 PLC ± 1 PLC ± 2 PLC ± 3 PLC ± 4 PLC ± ANGLES ±		NAME: Right angle plug 1.6/5.6 75 ohm	
MATERIAL: - FINISH: -		PRODUCT SPEC: - APPLICATION SPEC: 114-71024 WEIGHT: -		SIZE: A3 CAGE CODE: 00779 DRAWING NO: 1393672-5 RESTRICTED TO: -	
CUSTOMER DRAWING				SCALE: 5/1 SHEET: 1 OF 1 REV: A1	