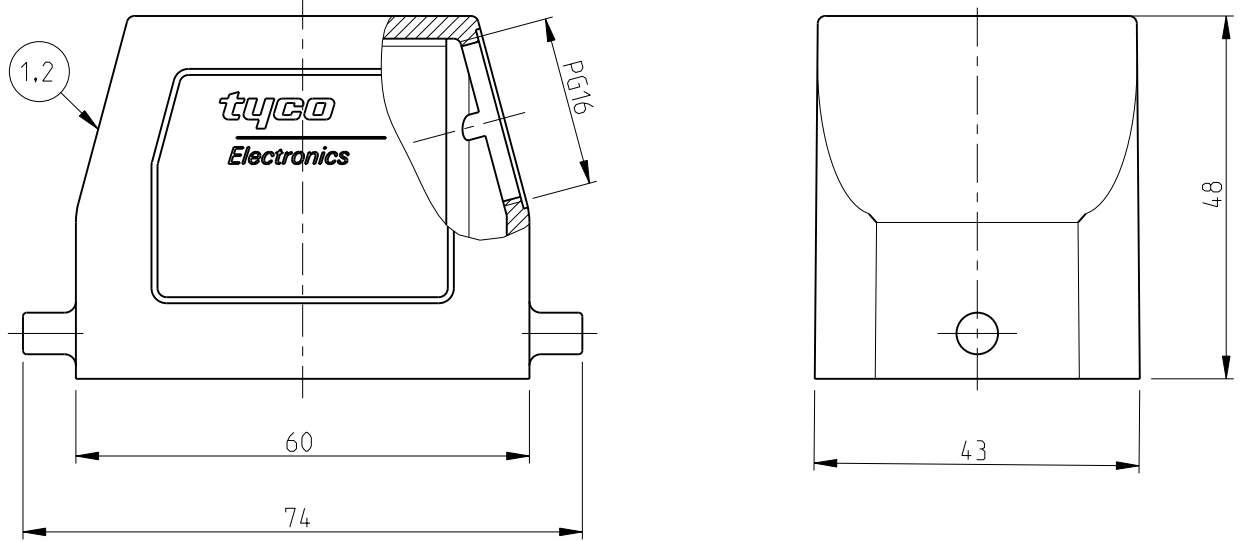


THIS DRAWING IS UNPUBLISHED. RELEASED FOR PUBLICATION 1997
 © COPYRIGHT 1997 BY TYCO ELECTRONICS CORPORATION. ALL RIGHTS RESERVED.

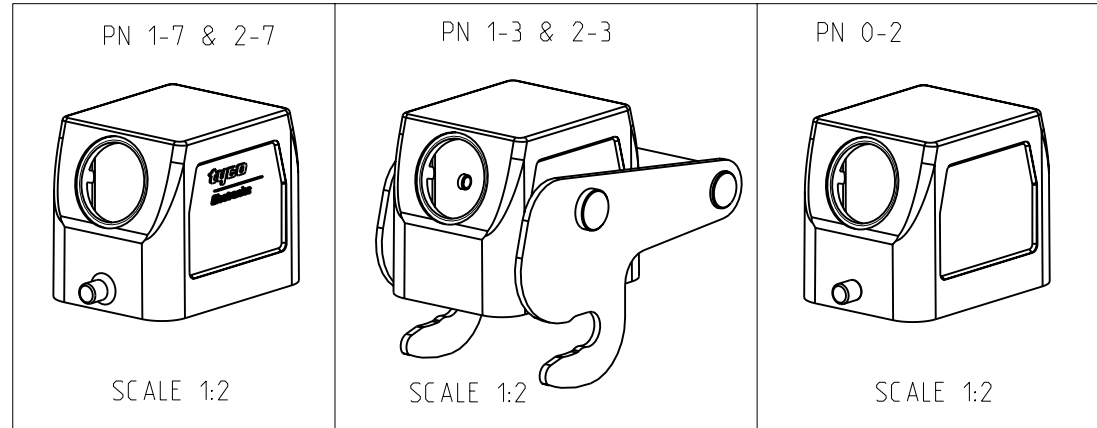
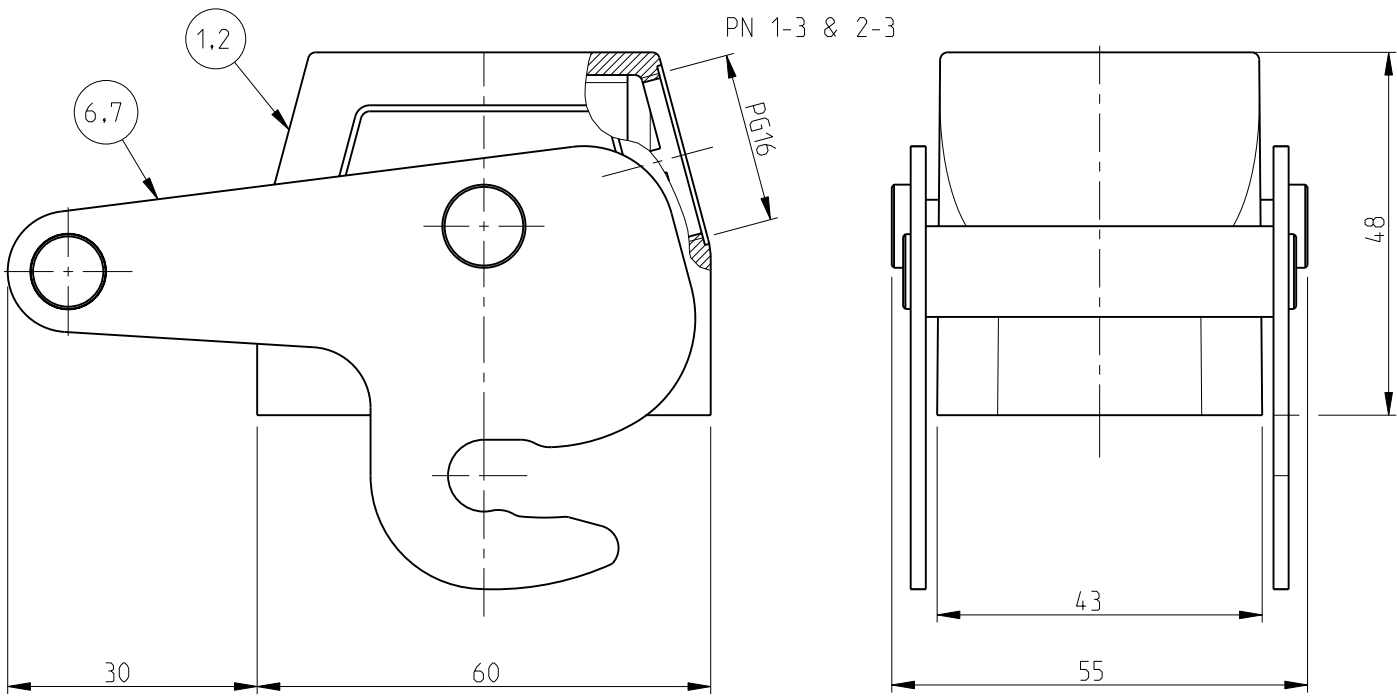
LOC	DIST	REVISIONS			
P	LTR	DESCRIPTION	DATE	DWN	APVD
A1		A6	Released as per ECR-08-005944	06.Mar.2008	SP TS

PN 1-7 & 2-7

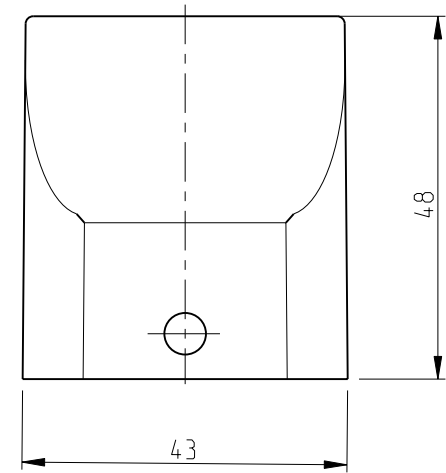
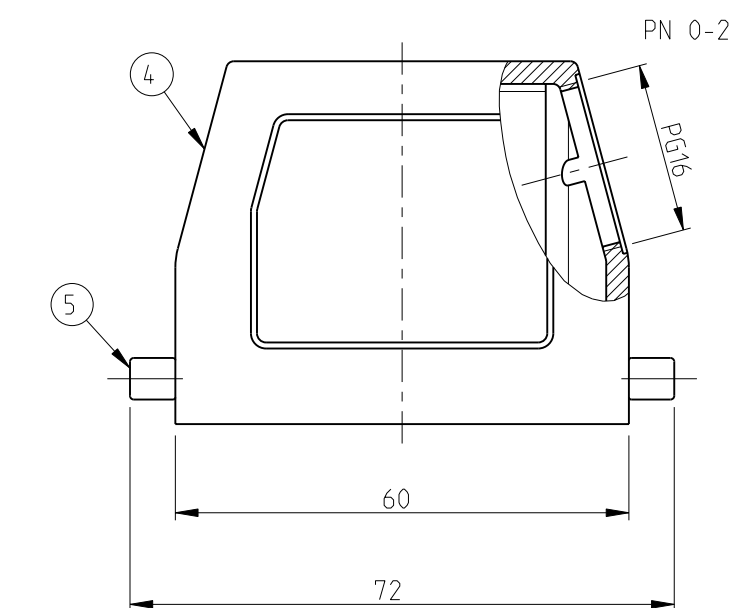


- Notes
- 1 Material: Housing: Aluminium diecasting alloy
 - 2 Surface:- Varnish-grey/White
-Aluminium oxide+Varnish black
 - 3 Varnish on the inside not necessary
 - 4 Packaging
Packaging quantity: 5 pieces in a box

PN 1-3 & 2-3



QTY	REF	DESCRIPTION	MATERIAL	SURFACE	COLOR	ITEM NO	NOTES
-	1	1	-	-	-	7	
-	1	-	1	-	-	6	
2	-	-	-	-	-	5	
1	-	-	-	-	White	4	Without bolt
-	1	-	-	-	Grey	3	Also 2xM3 for identification plate
-	-	1	-	1	-	2	
-	-	-	1	-	Grey	1	



THIS DRAWING IS A CONTROLLED DOCUMENT FOR TYCO ELECTRONICS CORPORATION
 IT IS SUBJECT TO CHANGE AND THE CONTROLLING ENGINEERING ORGANIZATION
 SHOULD BE CONTACTED FOR THE LATEST REVISION.

DIMENSIONS:		TOLERANCES UNLESS OTHERWISE SPECIFIED:	
mm		0 PLC	±
		1 PLC	±
		2 PLC	±
		3 PLC	±
		4 PLC	±
		ANGLES	±
MATERIAL		FINISH	

DWN	25.05.1999		Tyco Electronics.AMP.GmbH	
CHK	25.05.1999		D-53819,Neunkirchen,Germany	
APVD				
PRODUCT SPEC		NAME		
108-74001/74003		Hood		
APPLICATION SPEC		HB.6.STS.1.16.G		
114-74001/74004/74005		SIZE	CAGE CODE	DRAWING NO
WEIGHT		A3	00779	©= 1102240
CUSTOMER DRAWING		SCALE	SHEET	REV
		1:1	1 OF 1	A6