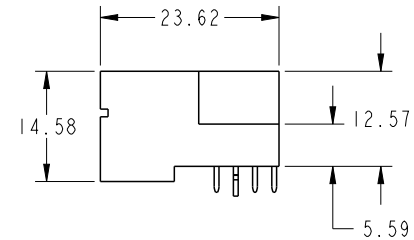
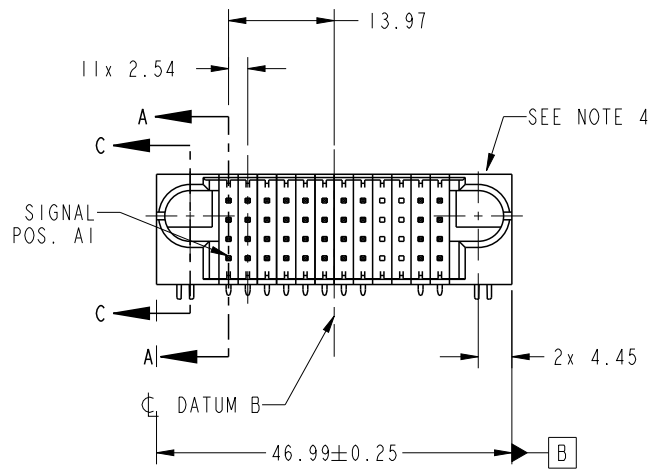


PRODUCT NO.	ROWS	SIGNAL											
		E1	1	2	3	4	5	6	7	8	9	10	11
51939-833-- NOTE 3	D C B A												

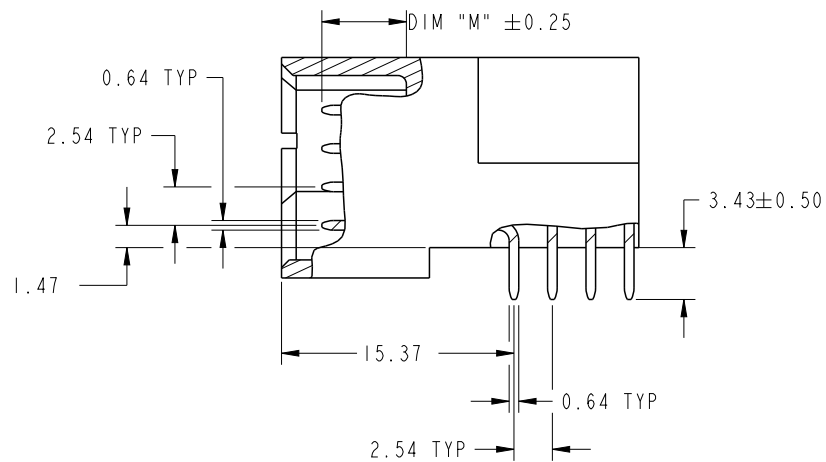


CODE	DIM "M" MATING LENGTH	CONTACT TYPE
H	[5.59]	SIGNAL
G	[5.59]	SIGNAL
F	[5.59]	SIGNAL
E	[5.59]	SIGNAL
U	[6.86]	SIGNAL
HA	[N/A]	HOLD-DOWN
X	OMITTED	OMITTED

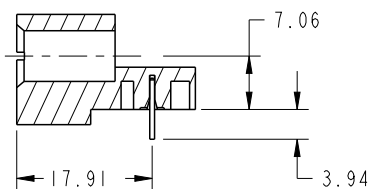
spec ref	*	dr	Luo Weller	2014/02/11	projection	MM	size	A4	scale	1:1	
tolerance std	ASME Y14.5	eng	Luo Weller	2014/02/21			ecn no	-			
TOLERANCES UNLESS OTHERWISE SPECIFIED		chr	-	-				rel level	Released		
surface	✓	appr	Pei-Ming Zheng	2014/02/21	product family	PwrBlade		rev	A		
ASME Y14.5	linear	FCj		title	48S		dwg no	51939-833		sheet 1 of 4	
		www.fci.com		RIGHT ANGLE SOLDER HEADER	cat. no.		Product - Customer Drw		-		
	angular	0°		±2°	-		-		-		

PRODUCT NUMBER

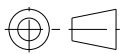
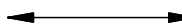

51939-833--  
NOTE: 3



BROKEN-OUT SECTION A-A  
SCALE 2:1

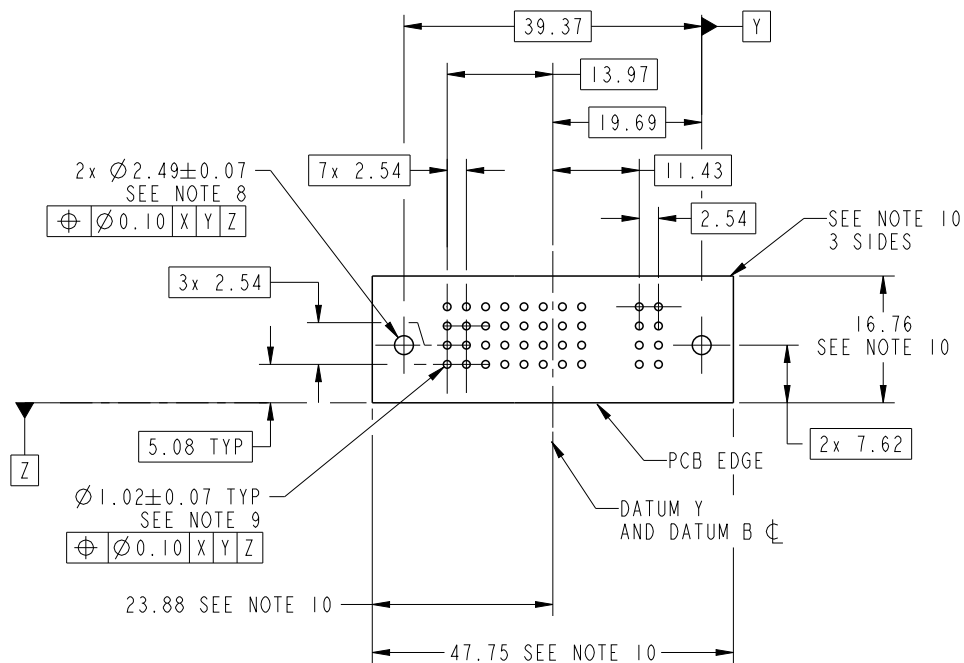


SECTION C-C

dr	Luo Weller	2014/02/11	projection 	MM 	size	A4	scale	1:1
eng	Luo Weller	2014/02/21			ecn no	-		
chr	-	-			rel level	Released		
appr	Pei-Ming Zheng	2014/02/21	product family	PwrBlade	rev	A		
		title	48S RIGHT ANGLE SOLDER HEADER		dwg no	51939-833		
www.fci.com		cat. no.	-		Product - Customer Drw		sheet 2 of 4	

PRODUCT NUMBER

51939-833\_\_  
NOTE: 3



RECOMMENDED PCB LAYOUT

dr	Luo Weller	2014/02/11	projection 	MM 	size	A4	scale	1:1
eng	Luo Weller	2014/02/21			ecn no	-		
chr	-	-			rel level	Released		
appr	Pei-Ming Zheng	2014/02/21	product family	PwrBlade	rev	A		
	title	48S RIGHT ANGLE SOLDER HEADER		dwg no	51939-833			
www.fci.com	cat. no.	-	Product - Customer Drw	sheet 3 of 4				

PRODUCT NUMBER

51939-833\_\_  
NOTE: 3

NOTES:

1. DIMENSIONS AND TOLERANCES ARE IN ACCORDANCE WITH ASME Y14.5M, 1994 UNLESS OTHERWISE SPECIFIED.

CONNECTOR NOTES:

- 2. HOUSING MATERIAL: UL 94 V-0 GLASS FILLED HIGH-TEMP THERMOPLASTIC  
POWER CONTACT MATERIAL: COPPER ALLOY  
SIGNAL PIN MATERIAL: COPPER ALLOY
- 3. SEE ITEM 1 & 2 IN PRINT 10064183 FOR PLATING SPEC OF 51939-833 AND 51939-833LF RESPECTIVELY.
- 4. MANUFACTURER'S NAME, DATE CODE AND OPTIONAL P/N TO APPEAR ON THIS SURFACE. THE MARK CAN BE OMITTED IF THERE IS NOT ENOUGH SPACE ON THIS SURFACE.
- 5. PRODUCT SPECIFICATION GS-12-149.  
APPLICATION SPECIFICATION BUS-20-067.
- 6. PACKAGED IN TRAYS.

PCB NOTES:

- 7. ALL HOLE DIAMETERS ARE FINISHED HOLE SIZE.
- 8. MOUNTING HOLES, WHERE APPLICABLE, ARE UNPLATED.
- 9.  $\varnothing 1.151 \pm 0.025$  DRILLED HOLES PLATED WITH  
0.008 MIN SnPb OR Sn OVER 0.03  
TO 0.08 Cu PLATING TO ACHIEVE  
 $\varnothing 1.02 \pm 0.07$  HOLE.
- 10. CONNECTOR KEEP-OUT ZONE.



Copyright FCI.

dr	Luo Weller	2014/02/11	projection 	MM 	size	A4	scale	1:1		
eng	Luo Weller	2014/02/21			ecn no	-				
chr	-	-			product family	PwrBlade	rel level	Released		
appr	Pei-Ming Zheng	2014/02/21			title	48S	dwg no	51939-833	rev	A
www.fci.com		cat. no.	-	Product - Customer Drw			sheet 4 of 4			