

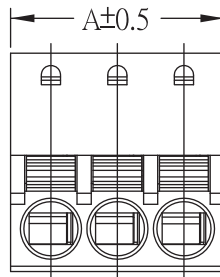
1

2

3

4

5



Pitch: 3.81mm (0.150inch)					
Poles	A(mm)	A(in)	Poles	A(mm)	A(in)
2	8.42	0.331	15	57.95	2.281
3	12.23	0.481	16	61.76	2.431
4	16.04	0.631	17	65.57	2.581
5	19.85	0.781	18	69.38	2.731
6	23.66	0.931	19	73.19	2.881
7	27.47	1.081	20	77.00	3.031
8	31.28	1.231			
9	35.09	1.381			
10	38.90	1.531			
11	42.71	1.681			
12	46.52	1.831			
13	50.33	1.981			
14	54.14	2.131			

#### TECHNICAL CHARACTERISTICS

MATERIAL  
 INSULATOR: PA 66  
 FLAMABILITY RATING: UL94-V0  
 COLOR: GREEN & ORANGE  
 METAL SPRING: STAINLESS STRIP STEEL  
 WIRE GUARD: PhBz TIN PLATED

ENVIRONMENTAL  
 OPERATING TEMPERATURE: -40 UP TO 105°C  
 COMPLIANCE: LEAD FREE AND ROHS

ELECTRICAL  
 CURRENT RATING: 8A  
 WORKING VOLTAGE: 300VAC  
 WITHSTANDING VOLTAGE: 2.0KV  
 CONTACT RESISTANCE: 20 mOhm max

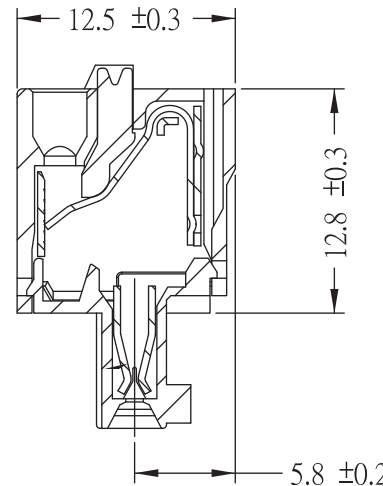
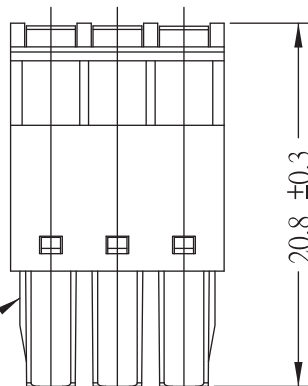
STANDARD  
 eULus CERTIFIED E315414 / Model number 69136830

MECHANICAL  
 SOLID WIRE: 28-16 AWG / 0.08-1.3MM<sup>2</sup>  
 STRANDED WIRE: 28-16 AWG / 0.08-1.3MM<sup>2</sup>

WIRE STRIPE LENGTH: 9MM  
 PITCH: 3.81MM

PACKAGING: BOX

SERIE 368B



rib to be added for  
2~10 poles

3.81 ± 0.1

20.8 ± 0.3

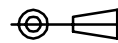
12.5 ± 0.3

12.8 ± 0.3

5.8 ± 0.2

RoHS Compliant

PROJECTION:



GENERAL TOLERANCE

.X =  $\pm$  0.2

.XX =  $\pm$  0.15



APPROVAL: RJ

UNIT: MM

SCALE:

SHEET: 1/1

DRAW: MARVIN

DESCRIPTION: SERIE 368B - 3.81MM Scewless Vertical Cable Entry Plug - 1,3 mm<sup>2</sup> Wire

WERI PART NO: 691 368 300 0xx B

SIZE

**A4**

REV	DATE	FILE	BY
A	20-JUN-12	PDF	GG