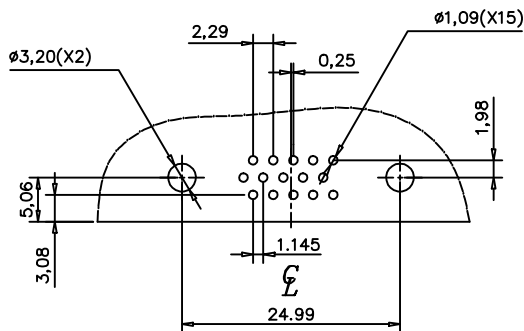
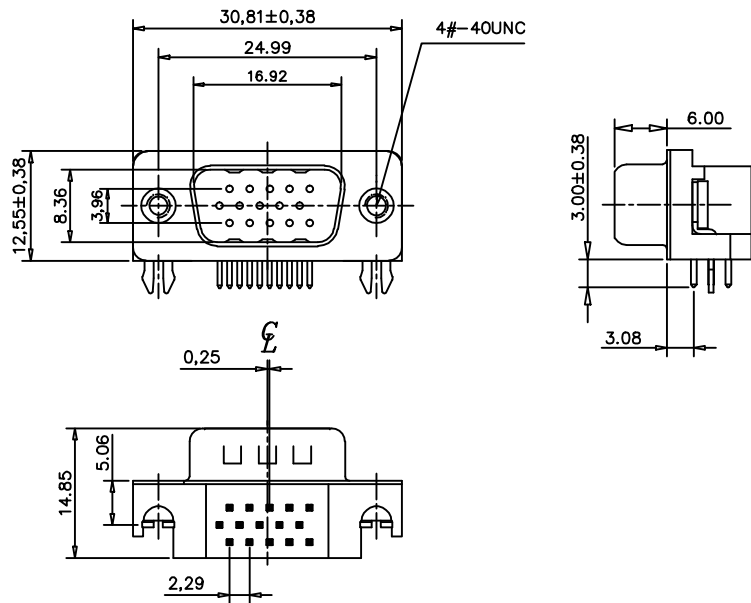


This document is the property of Amphenol Corporation and is delivered on the express condition that it is not to be disclosed, reproduced or used, in whole or in part, for manufacture or sale by anyone other than Amphenol Corporation without its prior consent, & that no right is granted to disclose or to use any information in this document.



RECOMMENDED P.C.B. LAYOUT

(TOLERANCE +/- -0.03)



REVISIONS				
SYM	ECN	DESCRIPTION	DATE	APPROVED
2		Color blue to color black	06/15/10	IP
3		Detail material of Body ;PBT	10/11/12	IP

**D-SUB TECHNICAL DATA**

SHELL : Steel 2.5um (100u") min tin over 1.25um (50u") min nickel  
 BODY : Glass filled thermoplasti, PBT  
 Flame retardant to UL94 V-0 color BLACK  
 CONTACTS : Brass  
 gold flash over 1.25um (50u") min nickel on mating area  
 2.50um (100u") min tin over nickel on solder area  
 BOARDLOCK: Brass, 100u" tin min over 50u" min nickel  
 REAR INSERT: Brass, 50u" min nickel  
 ELECTRICAL : Voltage rating : 1000 V RMS at 50 Hz  
 Current rating 3A.  
 Insulation resistance >5000 M Ohms  
 Contact resistance 25 mOhms max.  
 CLIMATIC : Temperature range -55 °C to 125°C  
 MARKING : Amphenol

**PRODUCT CODE**

**L 717 HD E 15 P D4 CH 4R**

L: RoHS Compliance

717: Tinned shell for Plug with dimples

HD: Hight density

Shell Size :E

Configuration: 15

4R=Rear insert #4-40

PCB locking type: grounding tabs+boardlocks

Footprint: D4: 3.08mm

Contact type: P:Male

**Customer drawing**

UNLESS OTHERWISE SPECIFIED TOLERANCES	APPROVAL		DATE
	U.S.	METRIC	DRAWN
.X +/-	0.50	CHECKED	10/11/12
.XX +/-	0.30	CHECKED	10/11/12
.XXX +/-	0.20		
FRACTIONS +/-			
ANGLES +/-	2'		
FOR MATERIALS AND FINISHES SEE NOTES	DRAWING FILE :		
REMOVE SHARP EDGES	ANGLE OF PROJECTION		
DIMENSIONS			
U.S. INCHES			
METRIC MM			

Amphenol®		
TITLE Right angle, 3.08mm footprint, HD series		
SIZE	DRAWING NO.	REV.
A4	C L717HDE15PD4CH4R	3
SCALE	NONE	SHEET 1 OF 1