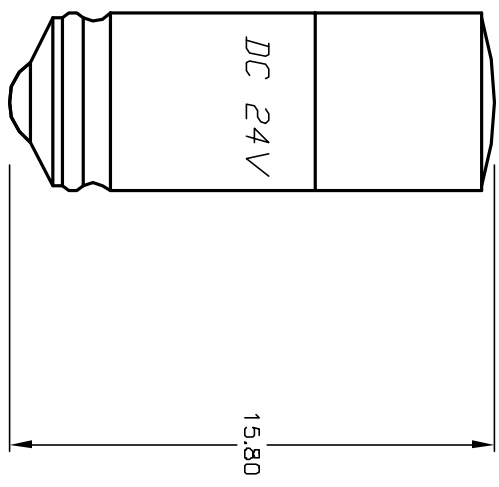
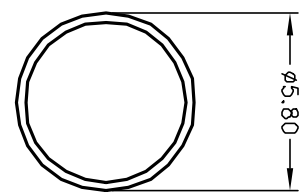


GREEN L.E.D

PARAMETERS	SYMBOL	TYP.	UNITS
AVE CURRENT	$I_A$	12	mA
EMISSION WAVELENGTH	$\lambda_p$	525	nm
LUMINOUS INTENSITY	$I_f$	350	mcd



NOTES:

1. ALL DIMENSIONS IN MM
2. GENERAL TOLERANCE: X.X=±0.4  
X.XX=±0.25
3. VOLTAGE: 24V DC SEE ABOVE
4. OPERATING TEMP. -20°C to 60°C

REV.	ECN No.	DESCRIPTION	DATE	CHKD
A	11896	RELEASED FOR PRODUCTION	3/15/02	CJB
				CHKD

TITLE				
50-004-22 (GREEN LED)				
SCALE				
4:1				
DATE				
2/01/02				
DR				
CJB				
DWG				
F050422				
REV				
A				

**E-SWITCH®**

THE INFORMATION CONTAINED IN THIS DOCUMENT IS PROPRIETARY TO E-SWITCH AND IS NOT TO BE COPIED OR TRANSFERRED