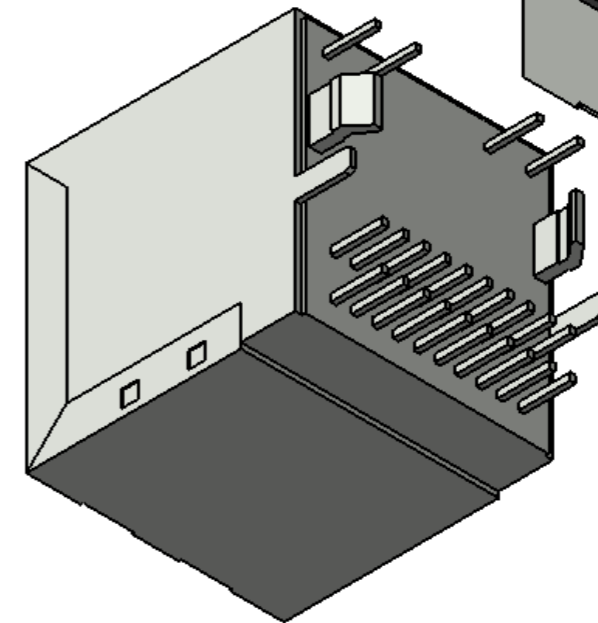
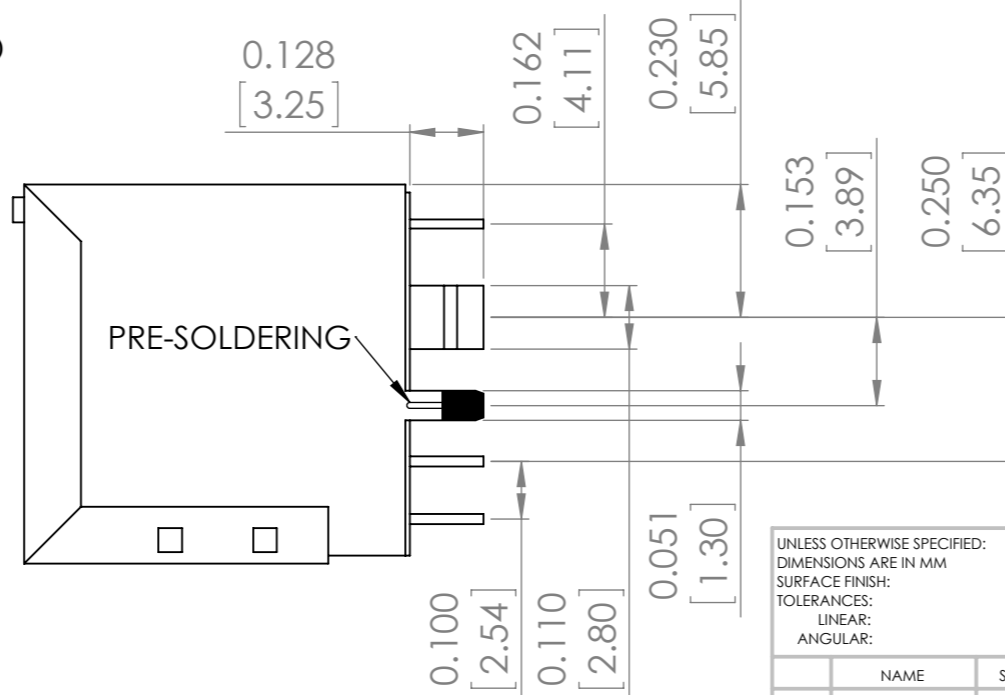
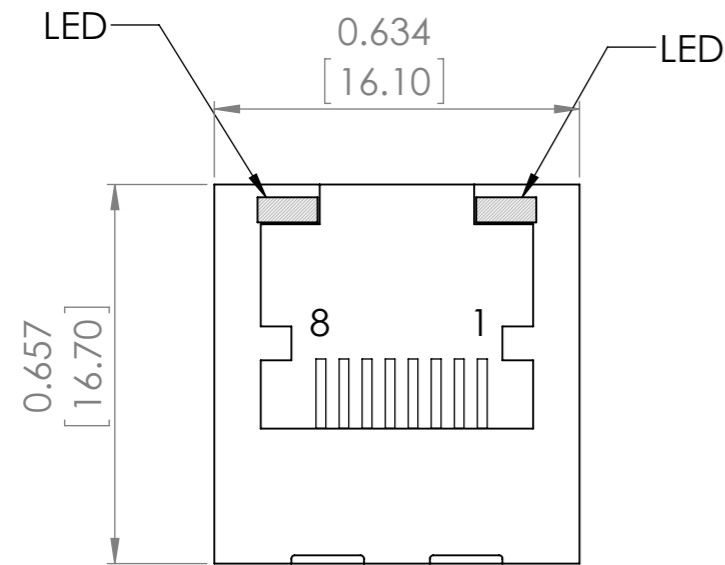
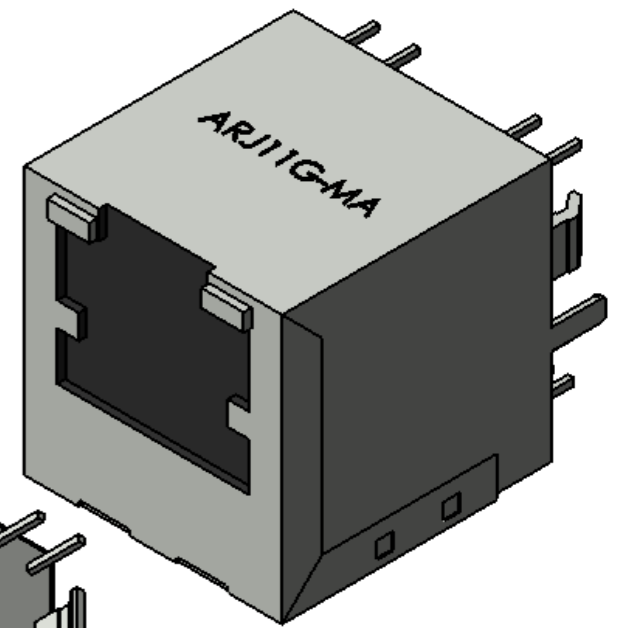
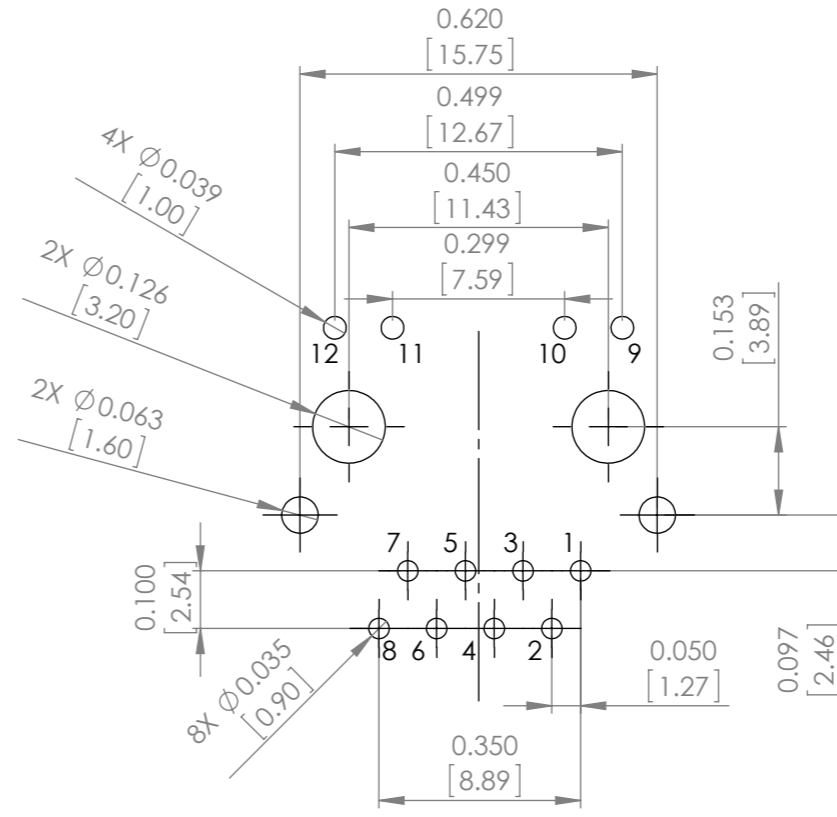
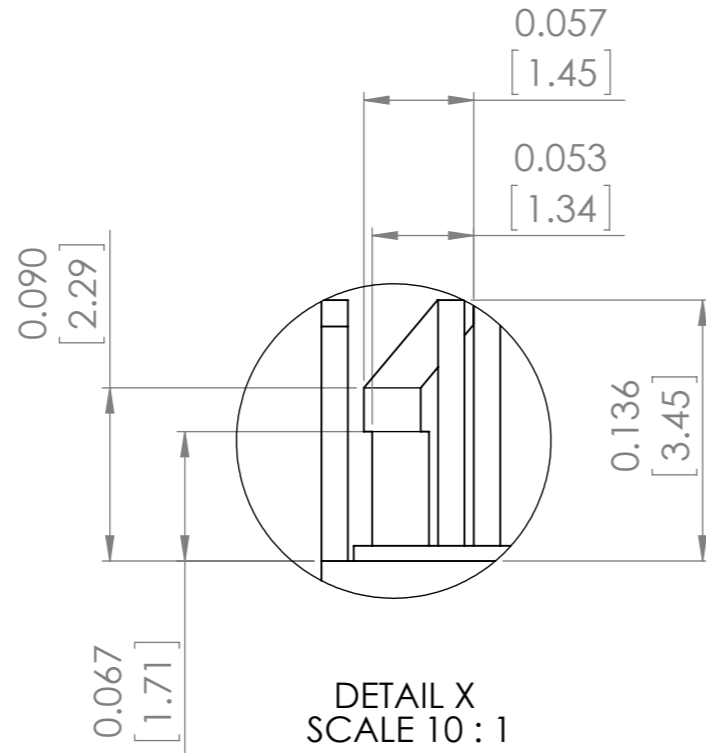
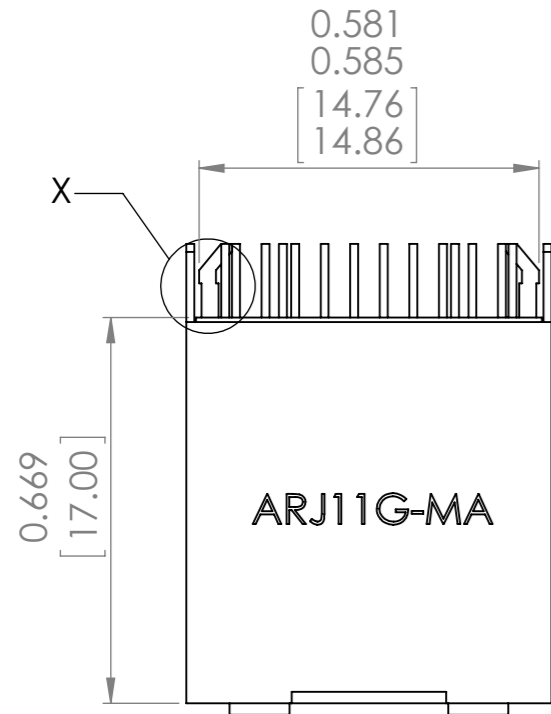



MA



UNLESS OTHERWISE SPECIFIED: DIMENSIONS ARE IN MM SURFACE FINISH: TOLERANCES: LINEAR: ANGULAR:		FINISH:	DEBUR AND BREAK SHARP EDGES	
NAME	SIGNATURE	DATE		
DRAWN	SAZVAT			
CHK'D	XXXXXX			
APP'V'D				
MFG				
Q.A			MATERIAL:	
			WEIGHT:	

DO NOT SCALE DRAWING		REVISION	-
 ABRACON CORPORATION 30332 Esperanza, Rancho Santa margarita, California 92688		TITLE: Magnetics	
		DWG NO. ARJ11G-MA	A3
SCALE:3:1		SHEET 1 OF 1	