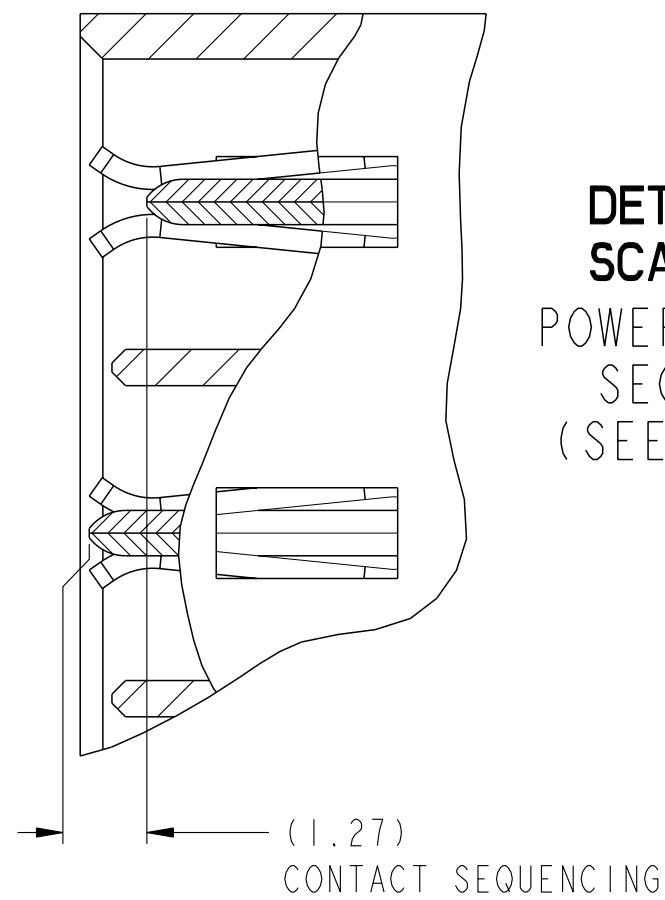
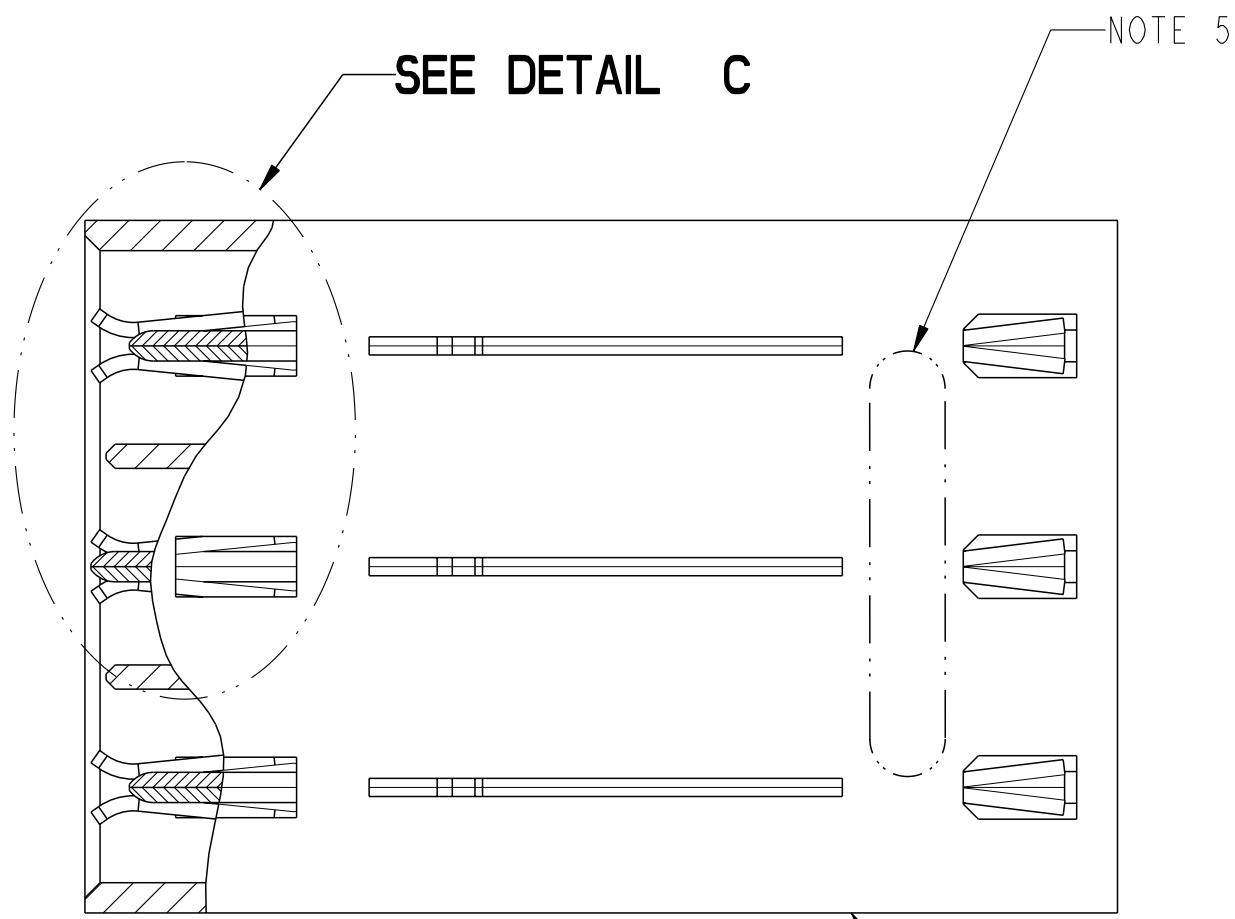


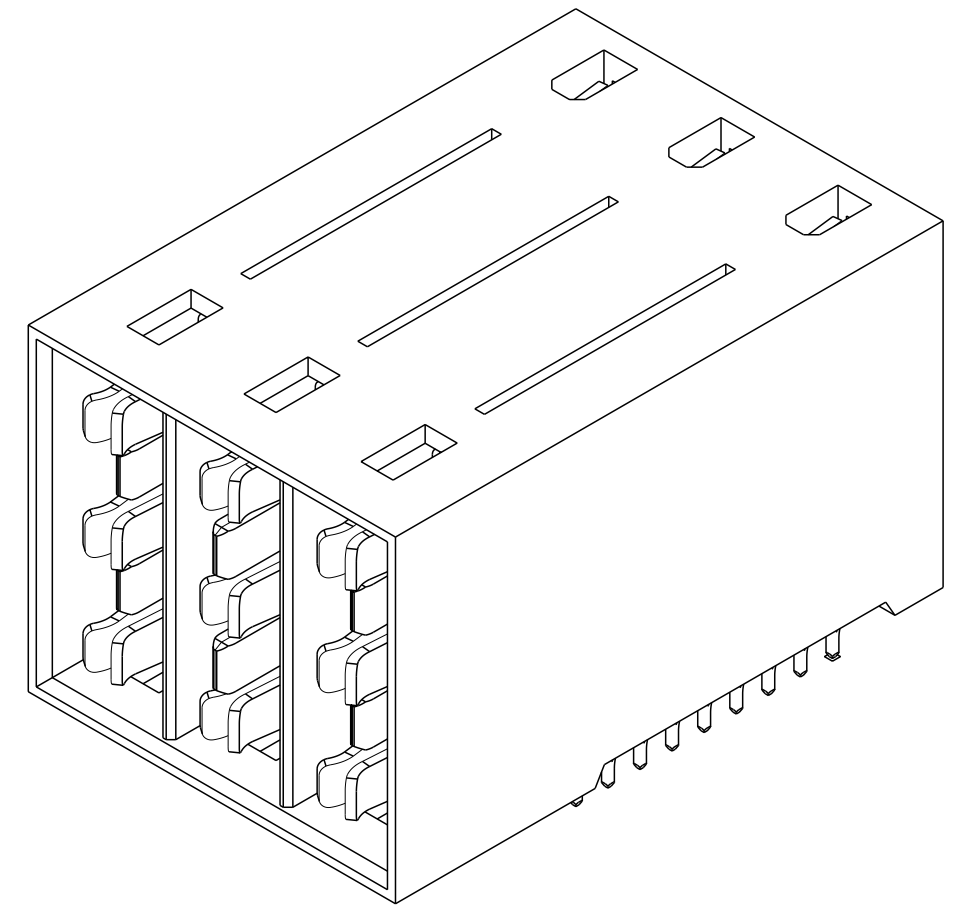
PART NUMBER	FIRST MATE (LONG) CONTACT POSITION	SECOND MATE (SHORT) CONTACT POSITION	TAIL TYPE
10078904-001LF	NONE	ALL POSITION (1,2,3)	PRESS-FIT
10078904-002LF	POSN 2 ONLY (MIDDLE)	POSN 1 & 3	



DETAIL C
SCALE 6:1
POWER MATING SEQUENCE
(SEE TABLE)

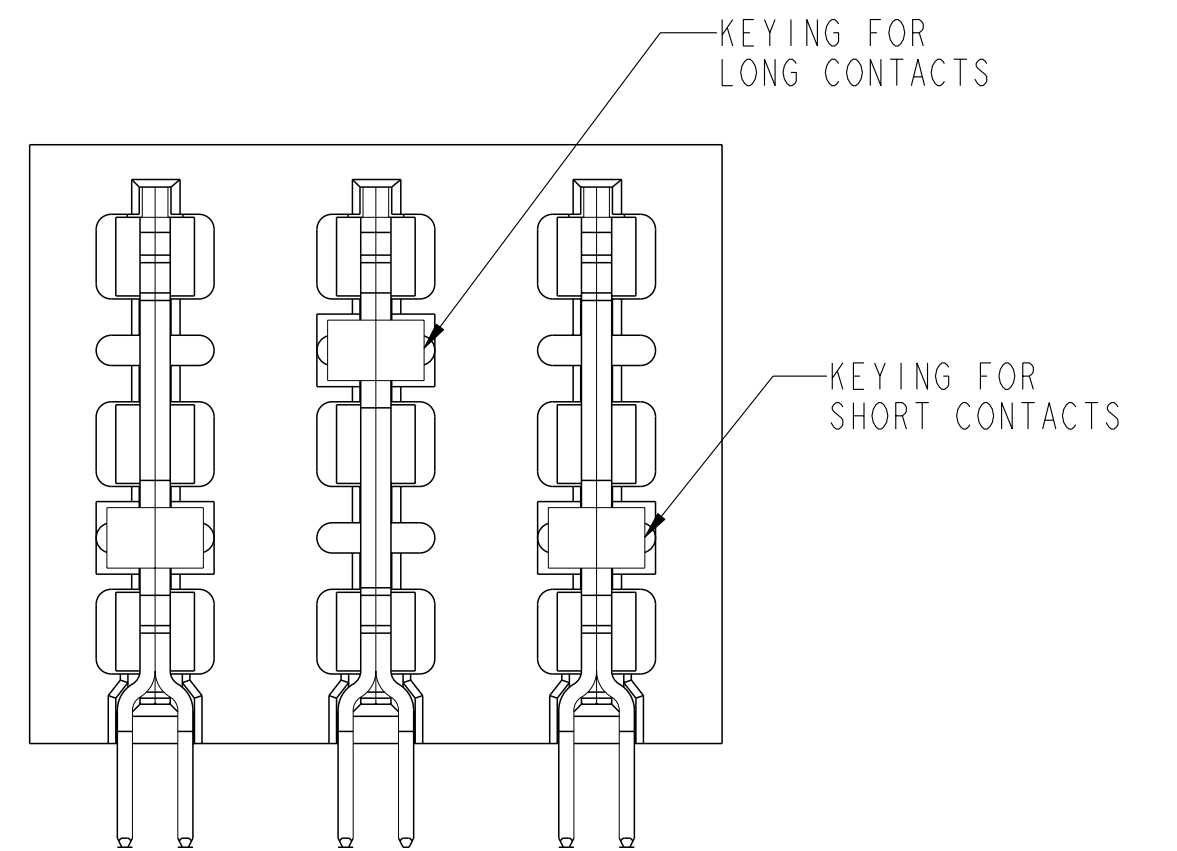
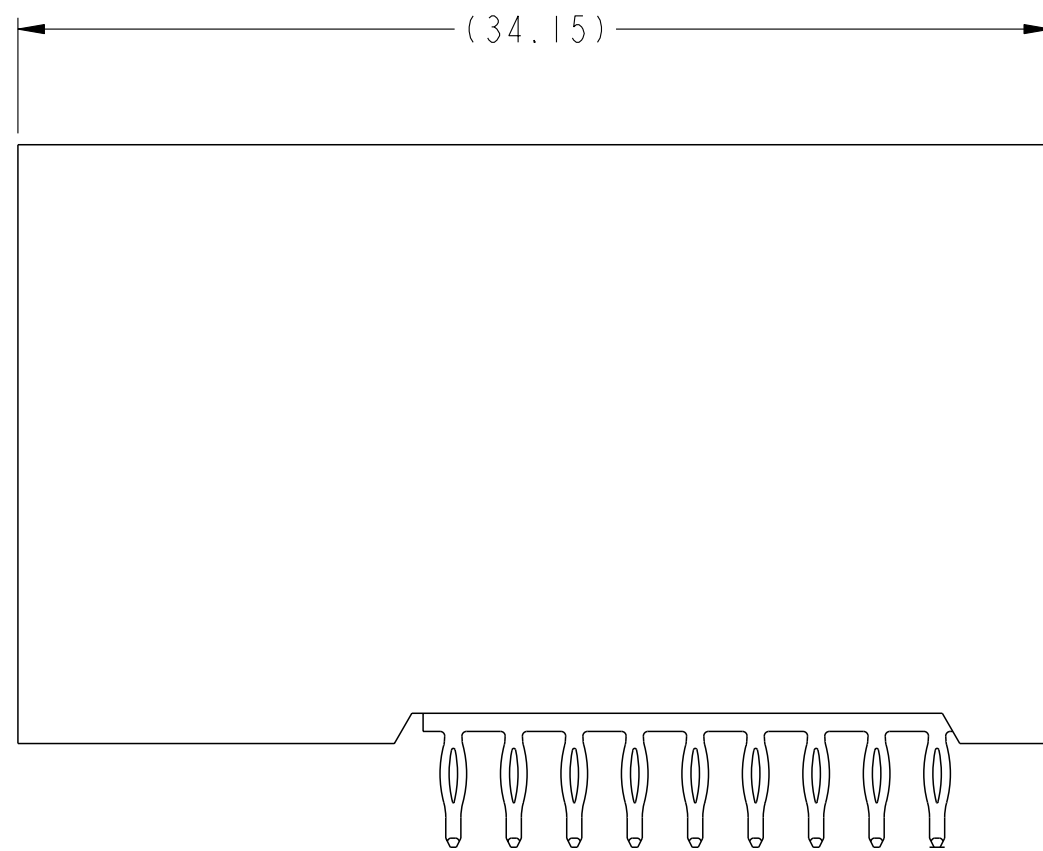
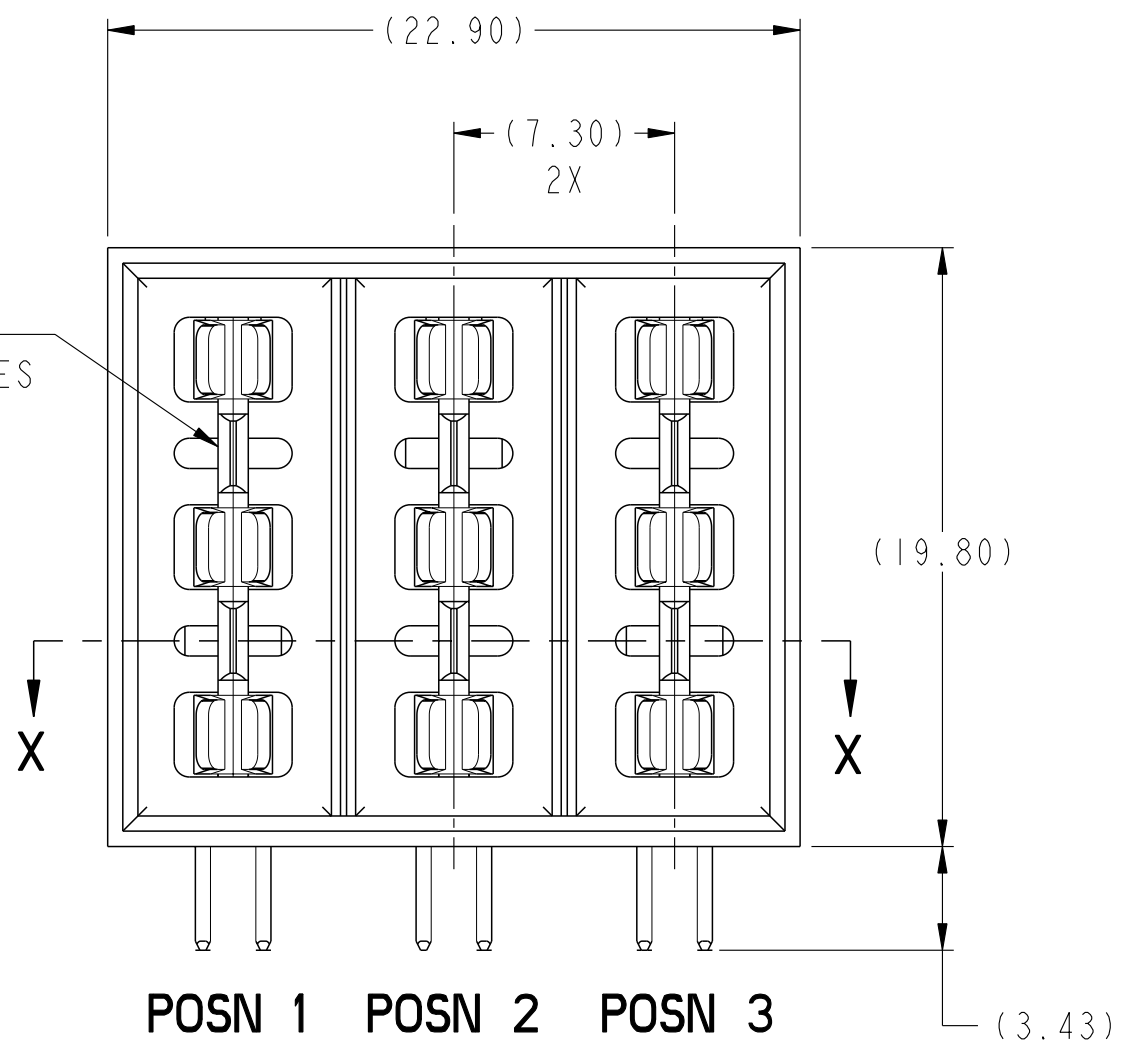


SECTION X-X



10078904-002 SHOWN

POWER CONTACTS,
LONG AND SHORT BLADES
(SEE DETAIL C)



rev	ecn no	dr	date
A	V09-0207	TH	2009-04-29
B	V09-0213	TH	2009-05-04
-	-	-	-
-	-	-	-
-	-	-	-
-	-	-	-

www.fciconnect.com		surface - ASME Y14.5	tolerance std - ASME Y14.5	projection ASME Y14.5	MM
TOLERANCES UNLESS OTHERWISE SPECIFIED					
Dr	W. J. SWAIN	2007-06-05	ANGULAR	0.X	±.3
Eng	W. J. SWAIN	2007-06-05	LINEAR	0.XX	±.10
Chr	W. J. SWAIN	2007-06-05	0° ±2°	0.XXX	±.050
Appr	-	-	-	-	-
Product family				HCI	Spec ref
FCJ ASSEMBLY, HEADER, R/A, 3 POSN ISOLATED POWER CONTACT				dlg no	10078904
catalog no				CUSTOMER	sheet 1 of 2

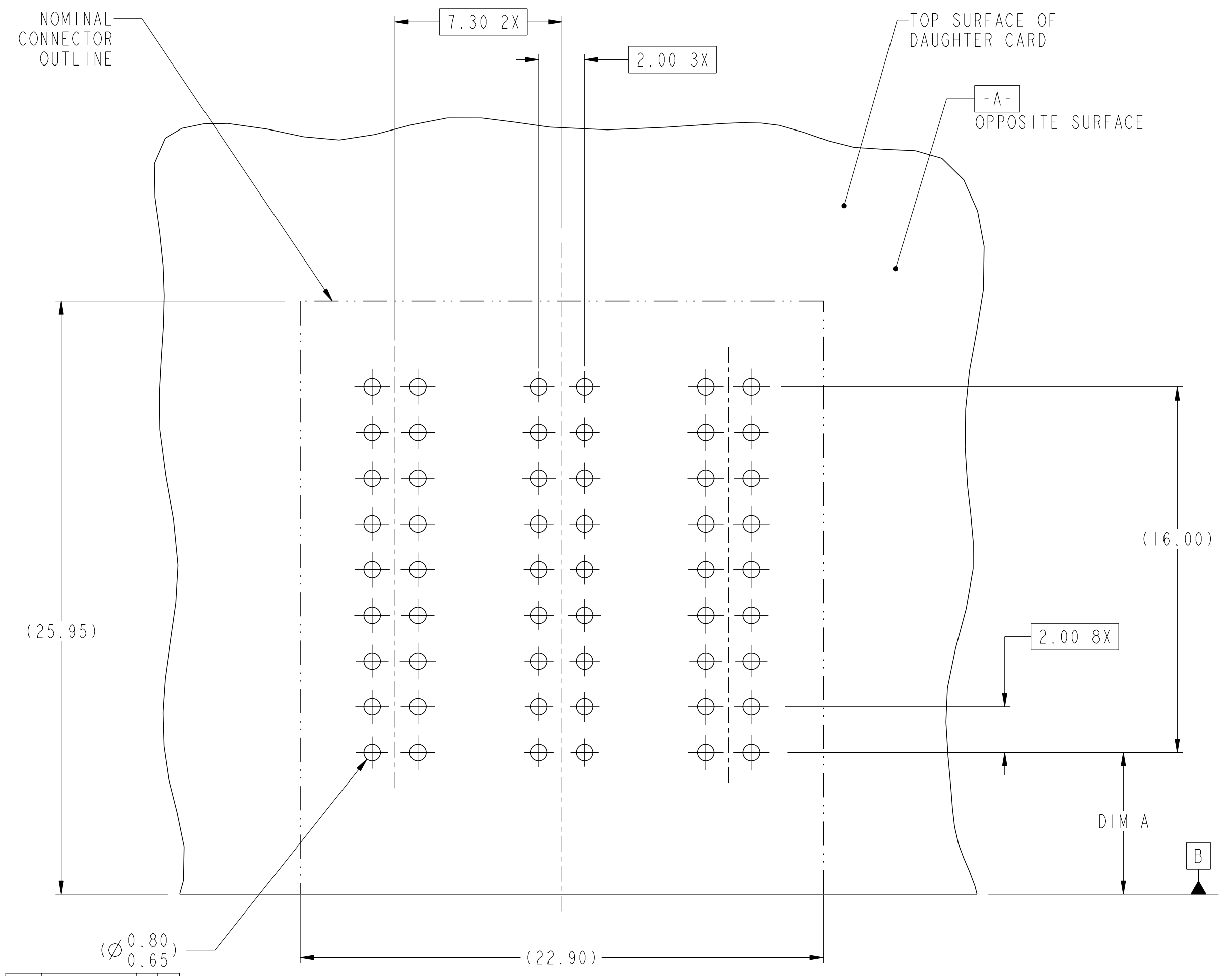


Copyright FCJ.

F

TOP LAYER DESCRIPTION	TABLE 1 (HCI POWER) PLATED THROUGH-HOLE REQUIREMENTS							
	DRILLED HOLE DIAMETER	COPPER THICKNESS	TIN-LEAD THICKNESS	NICKEL THICKNESS	GOLD THICKNESS	TIN THICKNESS	SILVER THICKNESS	FINISHED HOLE DIAMETER
TIN-LEAD	0.81-0.86 (0.85 DRILL)	0.025 - 0.050	0.005 - 0.015	--	--	--	--	0.65 - 0.80
IMMERSION TIN	0.81-0.86 (0.85 DRILL)	0.025 - 0.050	--	--	--	0.9 - 1.5um	--	0.70 - 0.80
IMMERSION SILVER	0.81-0.86 (0.85 DRILL)	0.025 - 0.050	--	--	--	--	0.15 - 0.65um	0.70 - 0.80
COPPER (SEE NOTE 9)	0.81-0.86 (0.85 DRILL)	0.025 - 0.050	--	--	--	--	--	0.70 - 0.80
GOLD	0.81-0.86 (0.85 DRILL)	0.025 - 0.050	--	0.003 - 0.007	FLASH UP TO 0.0002	--	--	0.69 - 0.80

- NOTES:
- CONNECTOR MATERIALS:
HOUSING: HIGH TEMPERATURE THERMOPLASTIC, BLACK
UL 94V-0 COMPLIANT
CONTACTS: HIGH PERFORMANCE COPPER ALLOY
 - CONTACT FINISH (Ref. GS-12-380 SECTION 5.2)
 - PRODUCT SPECIFICATION: GS-12-380.
 - APPLICATION SPECIFICATION: GS-20-070.
 - PRODUCT MARKING (PRODUCT NUMBER & DATE CODE) ON HOUSING IN AREA SHOWN.
 - MINIMUM NOMINAL PCB THICKNESS: 1.6mm
 - PACKAGING MEETS FCI SPECIFICATION GS-14-1194
 - HOUSING COMPONENT WILL WITHSTAND EXPOSURE TO 260°C PEAK TEMPERATURE FOR 60 SECONDS IN A CONVECTION, INFRA-RED, OR VAPOR PHASE REFLOW OVEN.
 - COPPER PLATING THICKNESS IN CENTER OF VIA-HOLE CAN BE NO MORE THAN 0.003 LESS THAN OTHER AREAS.
 - ALL HOLE SIZES ARE FINISHED HOLE SIZES UNLESS OTHERWISE NOTED.



**RECOMMENDED PCB LAYOUT
COMPONENT SIDE
NOTE 6**

DIM A	DISTANCE FROM BOARD TO BOARD AT FULLY MATED POSITION (NOMINAL)	PRODUCT LINE APPLICATION
8.70 mm	10.0 mm	Metral High Speed
6.20 mm	12.5 mm (H.M.)	Airmax VS,Zipline
2.20 mm	16.5 mm	XCede

	TITLE ASSEMBLY, HEADER, R/A, 3 POSN ISOLATED POWER CONTACT	dwg no 10078904	Rev. B
	catalog no	CUSTOMER	sheet 2 of 2

Copyright FCI. FCJ