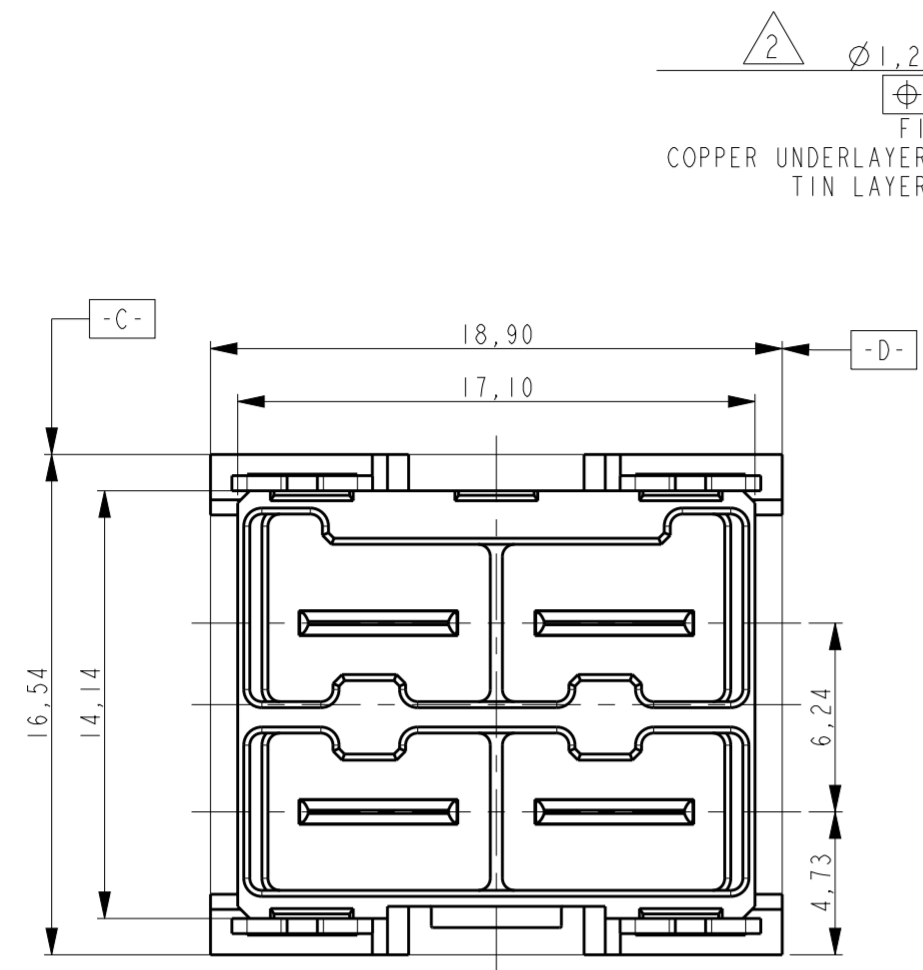
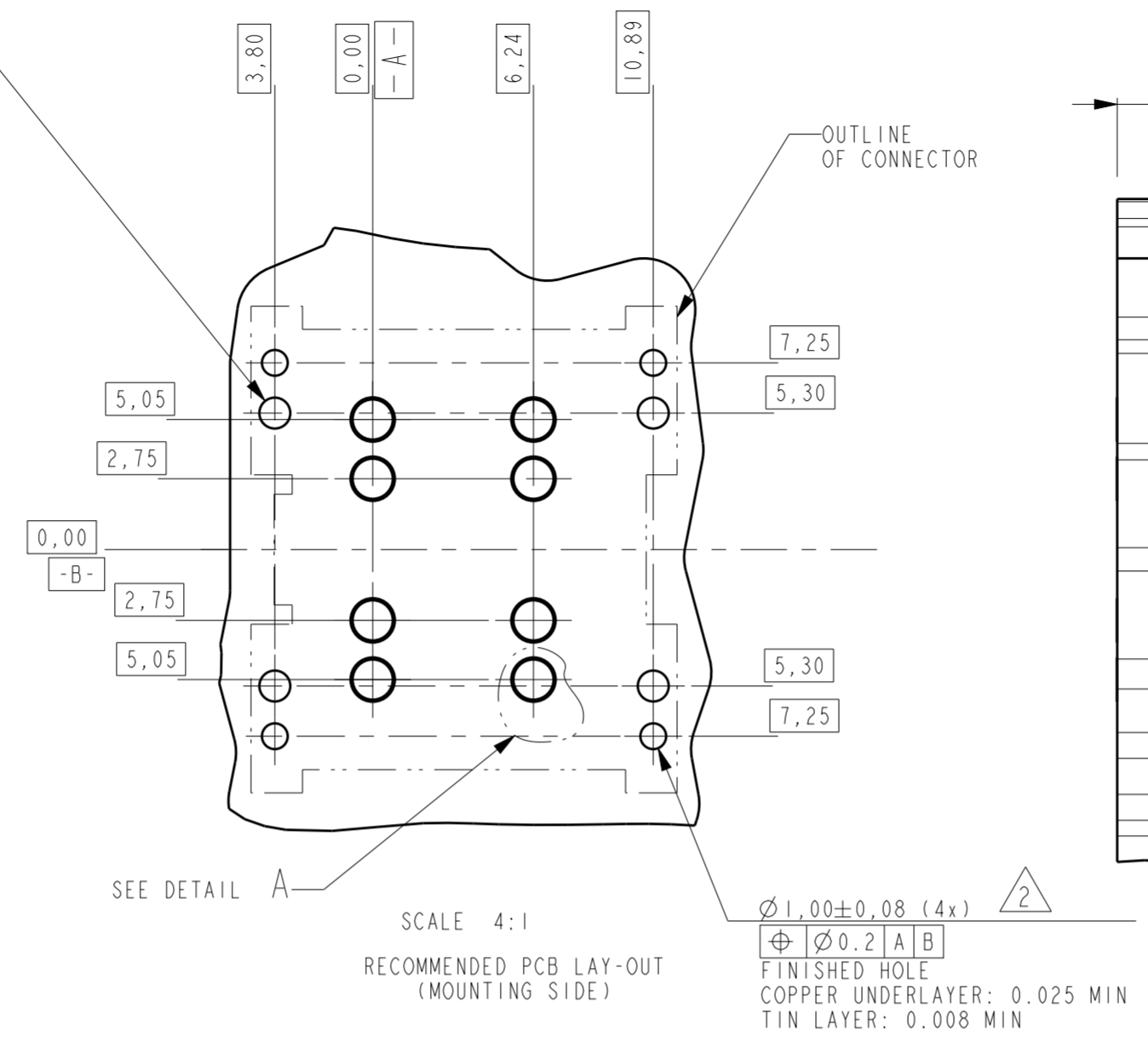


THIS DRAWING IS UNPUBLISHED. RELEASED FOR PUBLICATION
 BY TYCO ELECTRONICS CORPORATION ALL RIGHTS RESERVED.

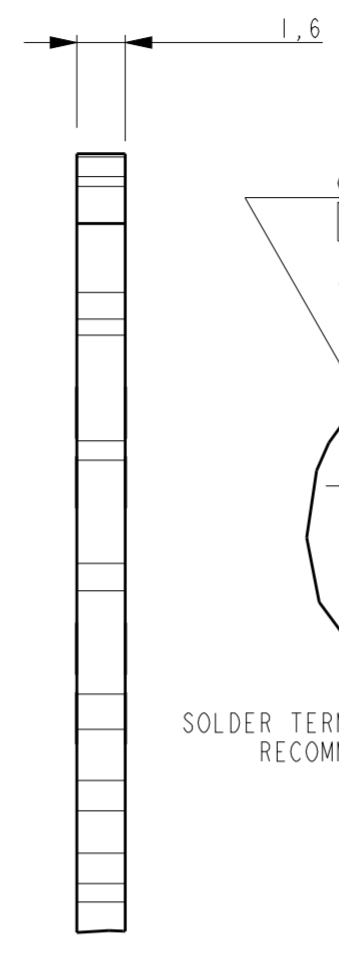
LOC		DIST		REVISIONS			
P	LTR	DESCRIPTION	DATE	DWN	APVD		
A		RELEASED	30 MAR 2013	JS	GV		
B		REV PER ECR-16-008504	15 JUL 2015	OL	SZ		
C		REV PER ECO-16-014060	30 DEC 2016	WY	SZ		



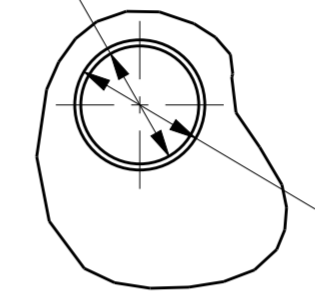
2 $\varnothing 1.20 \pm 0.08$ (4x)
 $\varnothing 0.2$ A | B
 FINISHED HOLE
 COPPER UNDERLAYER: 0.025 MIN
 TIN LAYER: 0.008 MIN



SCALE 4:1
 RECOMMENDED PCB LAY-OUT
 (MOUNTING SIDE)



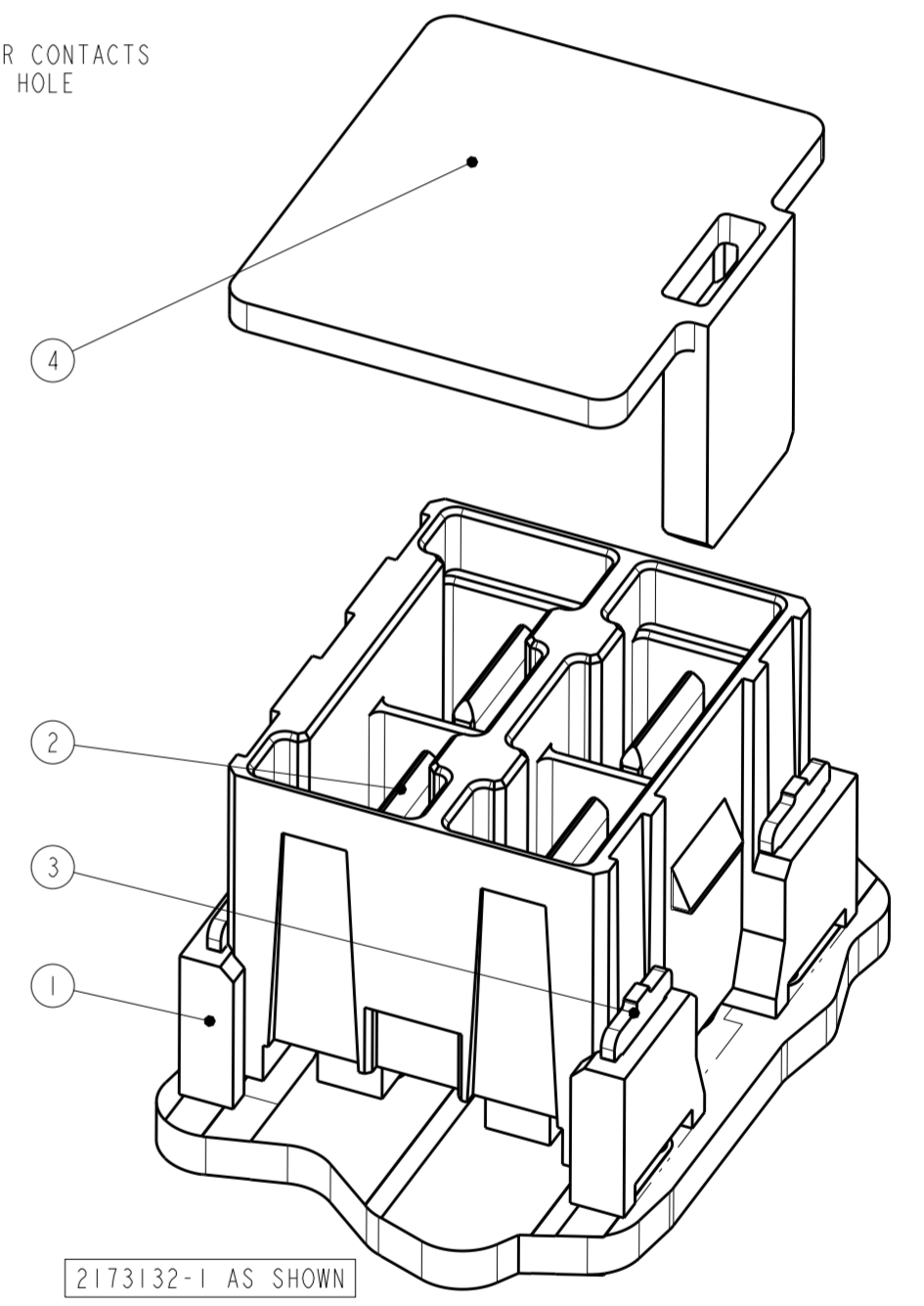
$\varnothing 1.56 \pm 0.08$ (8x)
 $\varnothing 0.2$ A | B
 FINISHED HOLE
 COPPER UNDERLAYER: 0.025 MIN
 TIN PLATE: 0.008 MIN



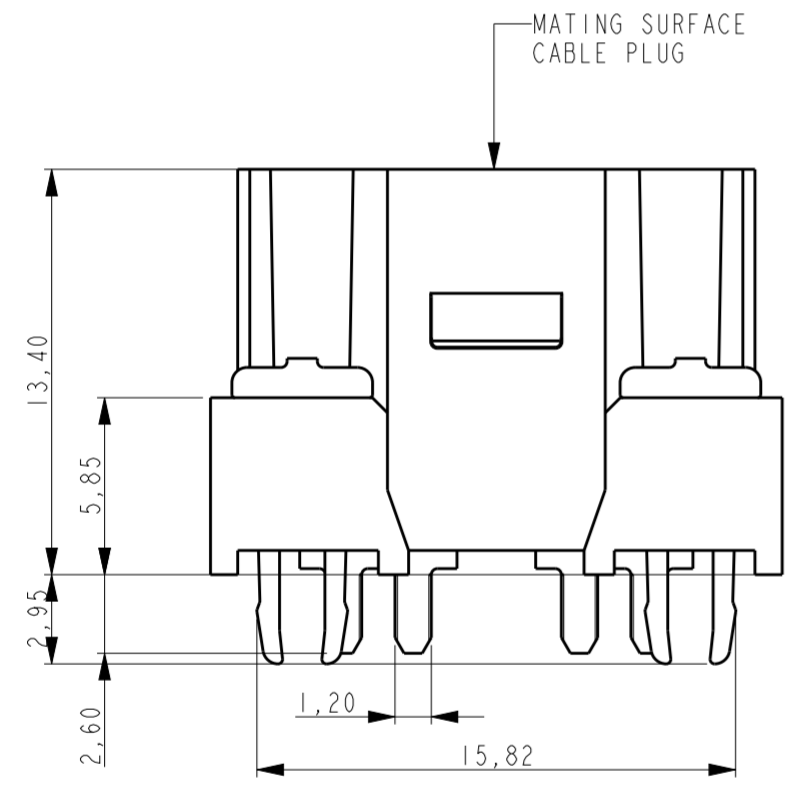
SOLDER TERMINATION AREA FOR POWER CONTACTS
 RECOMMENDED PRINTED CIRCUIT HOLE

DETAIL A
 SCALE 10:1

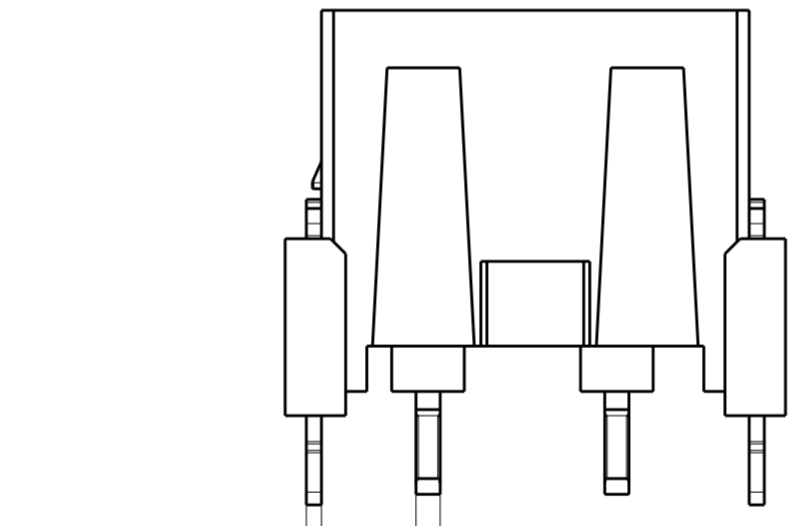
NOTES:
 1 PRINTING PARTNUMBER AND DATE CODE:
 2173132-X(X=1,2,...)
 YYWW
 2 OPTIONAL FOR PRESS FIT CONNECTOR -2



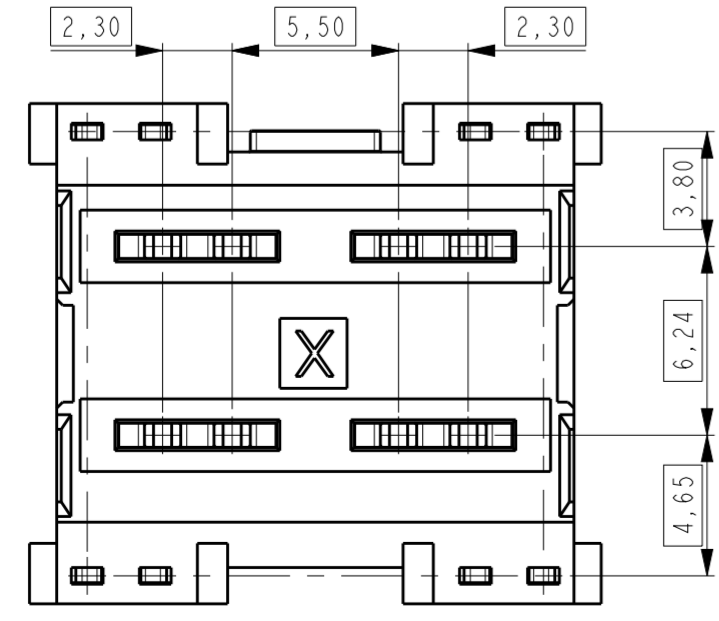
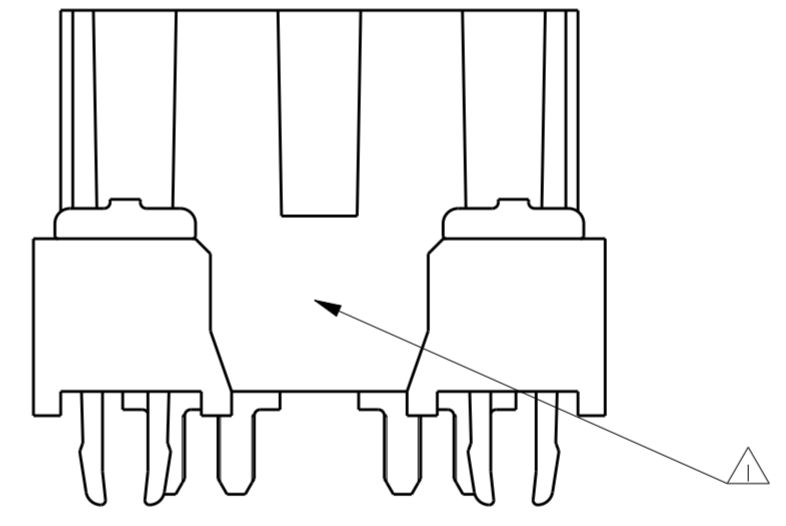
2173132-1 AS SHOWN



MATING SURFACE
 CABLE PLUG



0.50 ± 0.05 (8x)
 $\varnothing 0.2$ C | D
 0.80 ± 0.05 (8x)
 $\varnothing 0.2$ C | D



ITEM NO.	DESCRIPTION	MATERIAL	FINISH
4	PICK&PLACE ADAPTOR	POLYAMIDE	NOT APPLICABLE
3	HOLD DOWN	STEEL	5,0 μ m Sn MIN OVER 2,5 μ m Ni MIN ALL OVER.
2	CONTACT POWER TAB	COPPER ALLOY	3,0 μ m Ag min.
1	HOUSING	LCP GF UL94V-0	NOT APPLICABLE

THIS DRAWING IS A CONTROLLED DOCUMENT.

DWN	J. Smits	9 FEB 2012
CHK	B. Mooij	9 FEB 2012
APVD	I. de Boer	9 FEB 2012

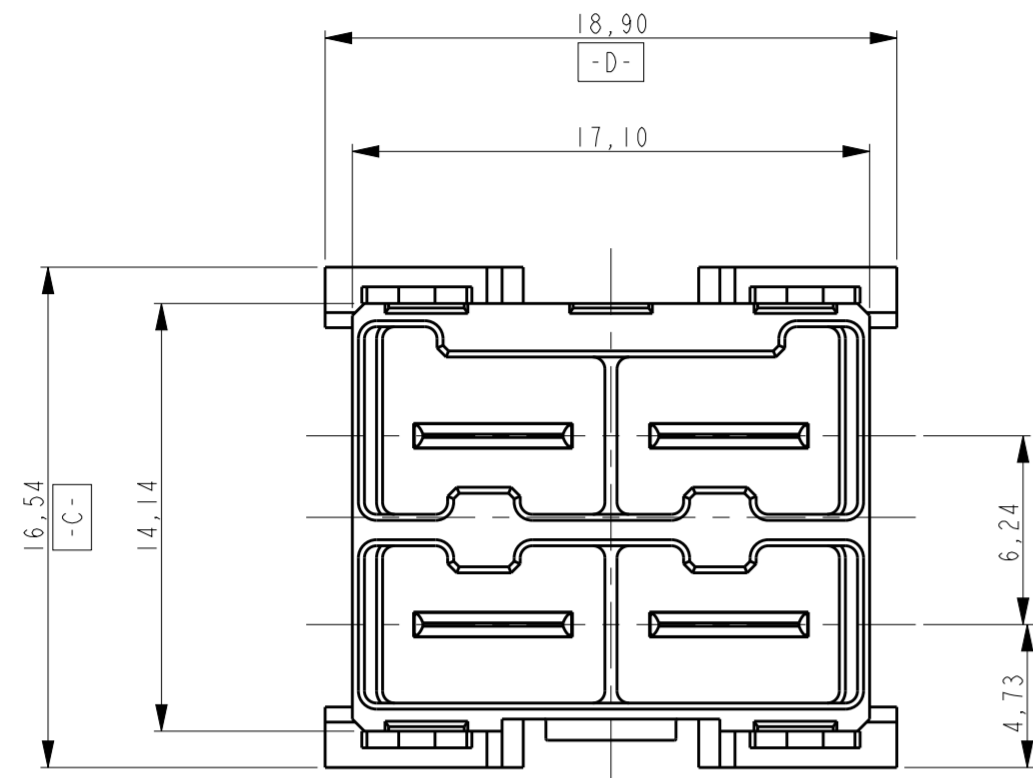
TE Connectivity

4 POS. POWER CONNECTOR STRAIGHT

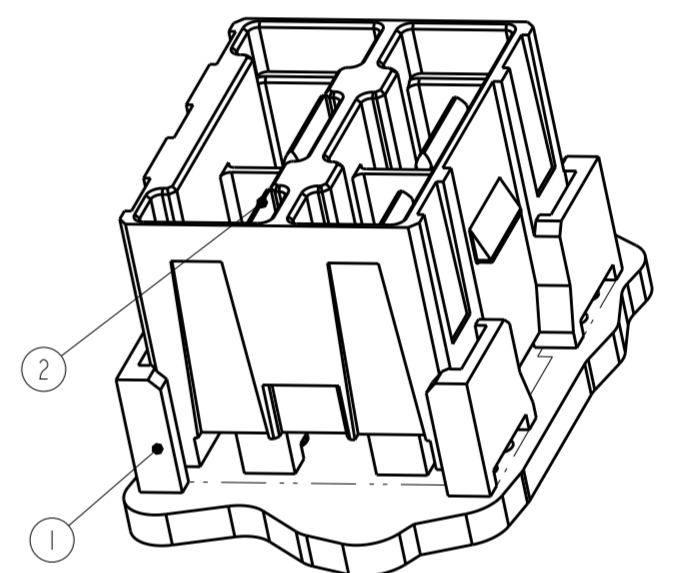
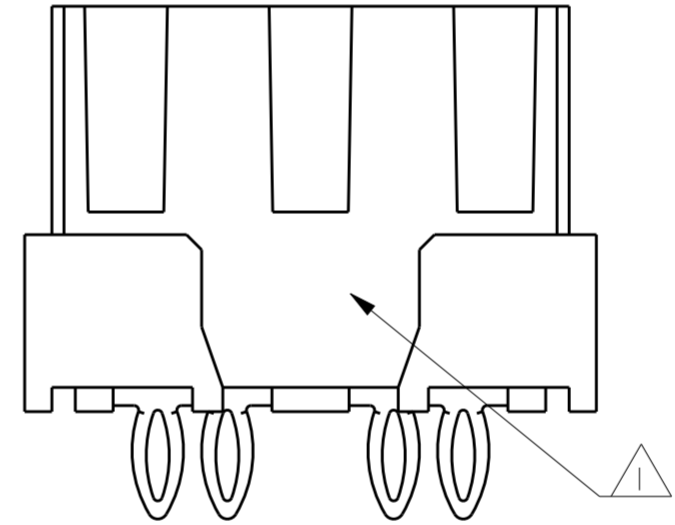
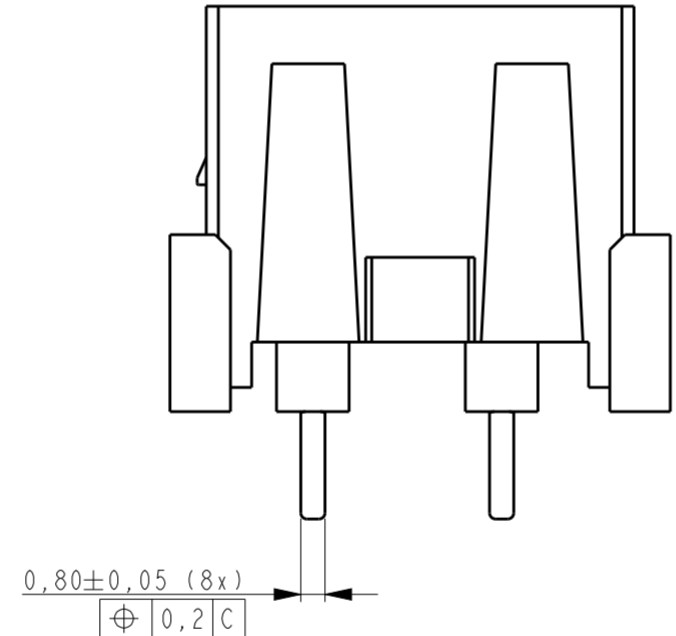
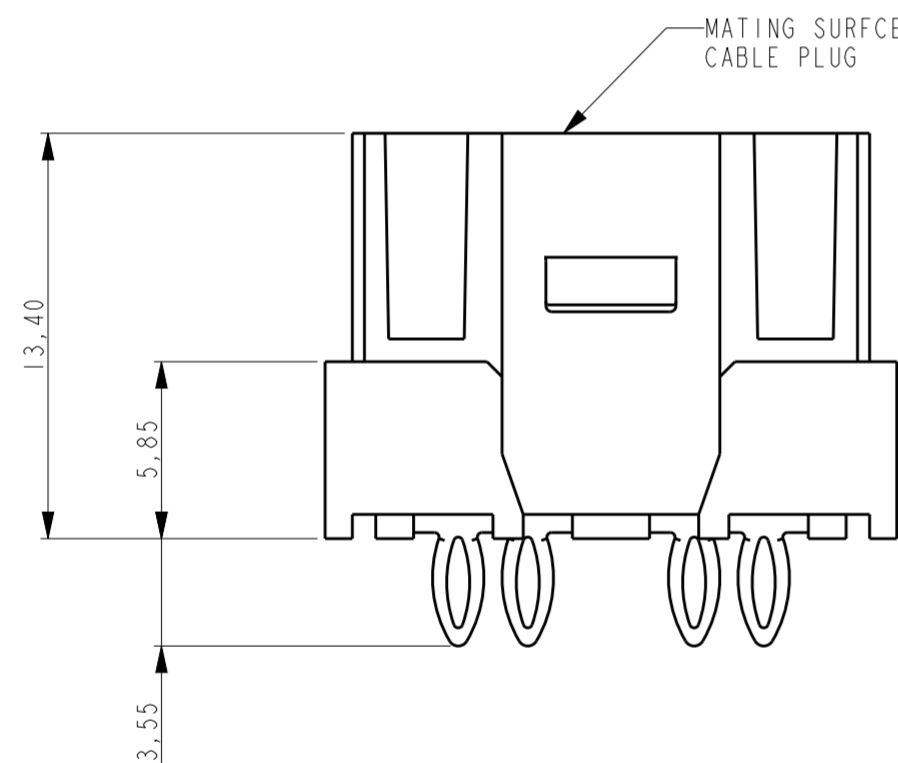
SIZE	A2	CAGE CODE	00779	DRAWING NO	C-2173132	RESTRICTED TO	-
CUSTOMER DRAWING		SCALE	5:1	SHEET	1 OF 2	REV	C

THIS DRAWING IS UNPUBLISHED. RELEASED FOR PUBLICATION
 © COPYRIGHT - BY TYCO ELECTRONICS CORPORATION ALL RIGHTS RESERVED.

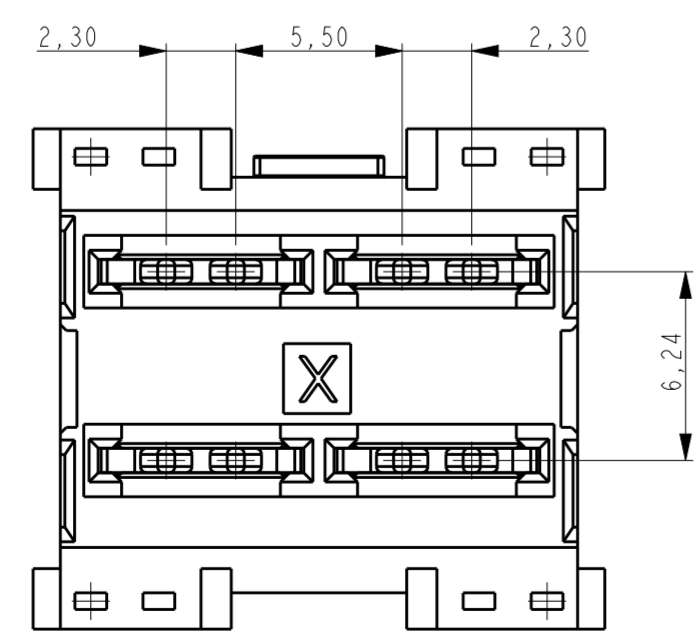
LOC		DIST		REVISIONS			
P	LTR	DESCRIPTION	DATE	DWN	APVD		



PCB LAYOUT, PLEASE REFER TO SHEET 1 AND NOTE 2 IS APPLIED TO THIS PART OF -2



2173132-2 AS SHOWN



2	CONTACT POWER TAB	COPPER ALLOY	3,0µm Ag min.
1	HOUSING	LCP GF UL94V-0	NOT APPLICABLE
ITEM NO.	DESCRIPTION	MATERIAL	FINISH

THIS DRAWING IS A CONTROLLED DOCUMENT.

DWN	J. Smits	9 FEB 2012
CHK	B. Mooij	9 FEB 2012
APVD	T. de Boer	9 FEB 2012

STE TE Connectivity

NAME: 4 POS. POWER CONNECTOR STRAIGHT

SIZE	A2	CAGE CODE	00779	DRAWING NO	C-2173132	RESTRICTED TO	-
MATERIAL	material_2	FINISH	finish_spec_2	WEIGHT	-	SCALE	5:1
CUSTOMER DRAWING				SHEET	2 OF 2	REV	C